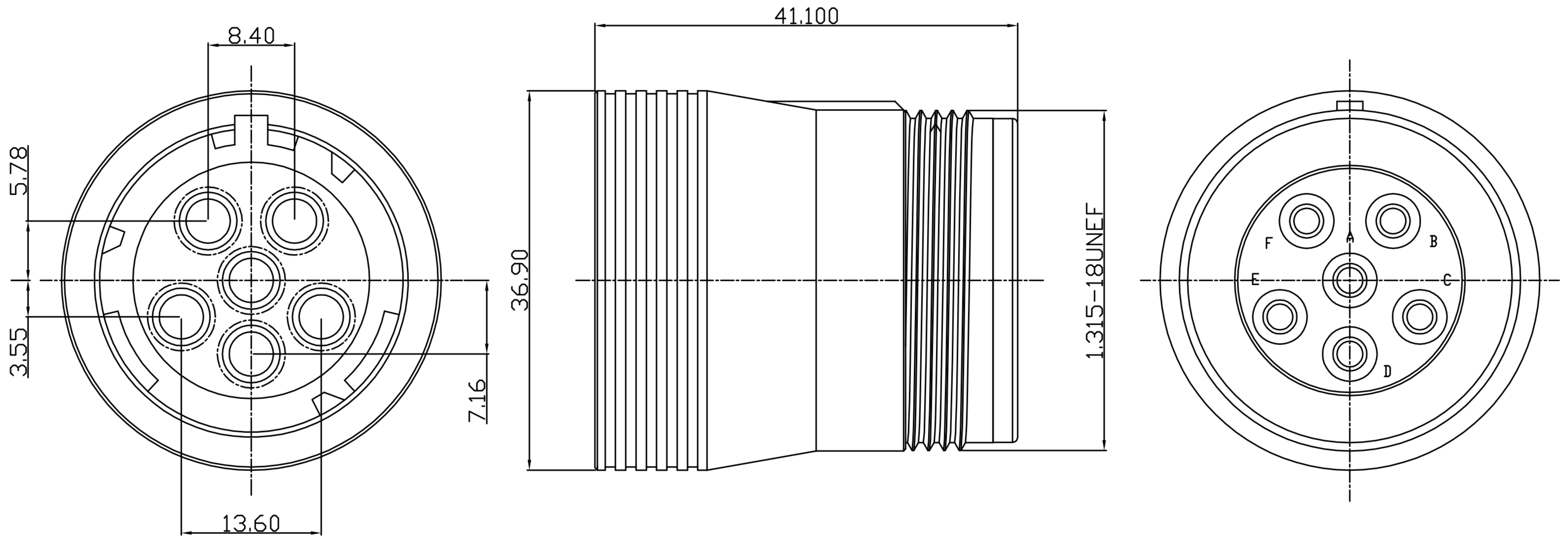


CUSTOMER DRAWING

REV.	DESCRIPTION	APPROVED BY	DATE	ECN NO.
△A	RELEASE	Yeh Chou	2017/12/30	
△B	變更膠芯顏色	Yeh Chou	2018/06/06	ECN-18004
△C				
△D				

1. MATERIAL :
 - 1-1. INSULATOR : PA66 ; COLOR : GREY
 - △B 1-2. HOUSING : PA66 ; COLOR : BLACK
 - 1-3. REAR COVER : PA66 ; COLOR : GREY
 - 1-4. RUBBER : SILICONE ; COLOR : ORANGE
2. ELECTRICAL SPECIFICATION :
 - 2-1. Rated current : 25A
 - 2-2. Rated Voltage : 500V
3. Environmental :
 - 3-1. Operation Temperature : -40°~105°



DRAWN	Yeh Chou	APP'D	Ku Chou	UNIT	mm	TOLERANCE		广东科斯达电子科技有限公司 GUANG DONG KE SI DA ELECTRONIC TECHNOLOGY CO., LTD.	TITLE	防水6PIN(M)(1.315-18UNEF)测试			SHEET	1/1
CHK'D	Yeh Chou			SCALE	1:1				PART NO.	WP-06M2-58-01	DWG NO.	QC8167	VERSION	B