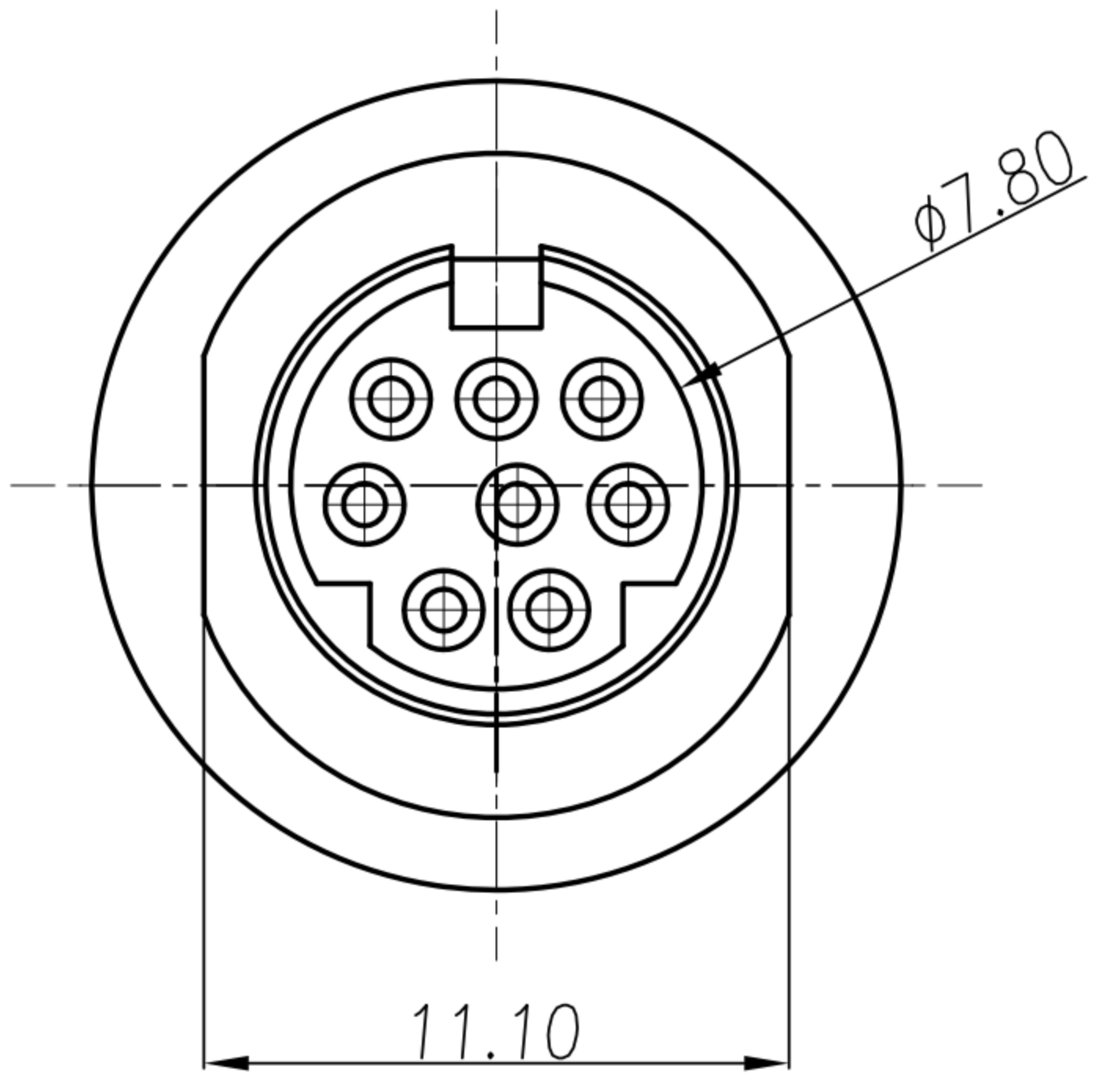
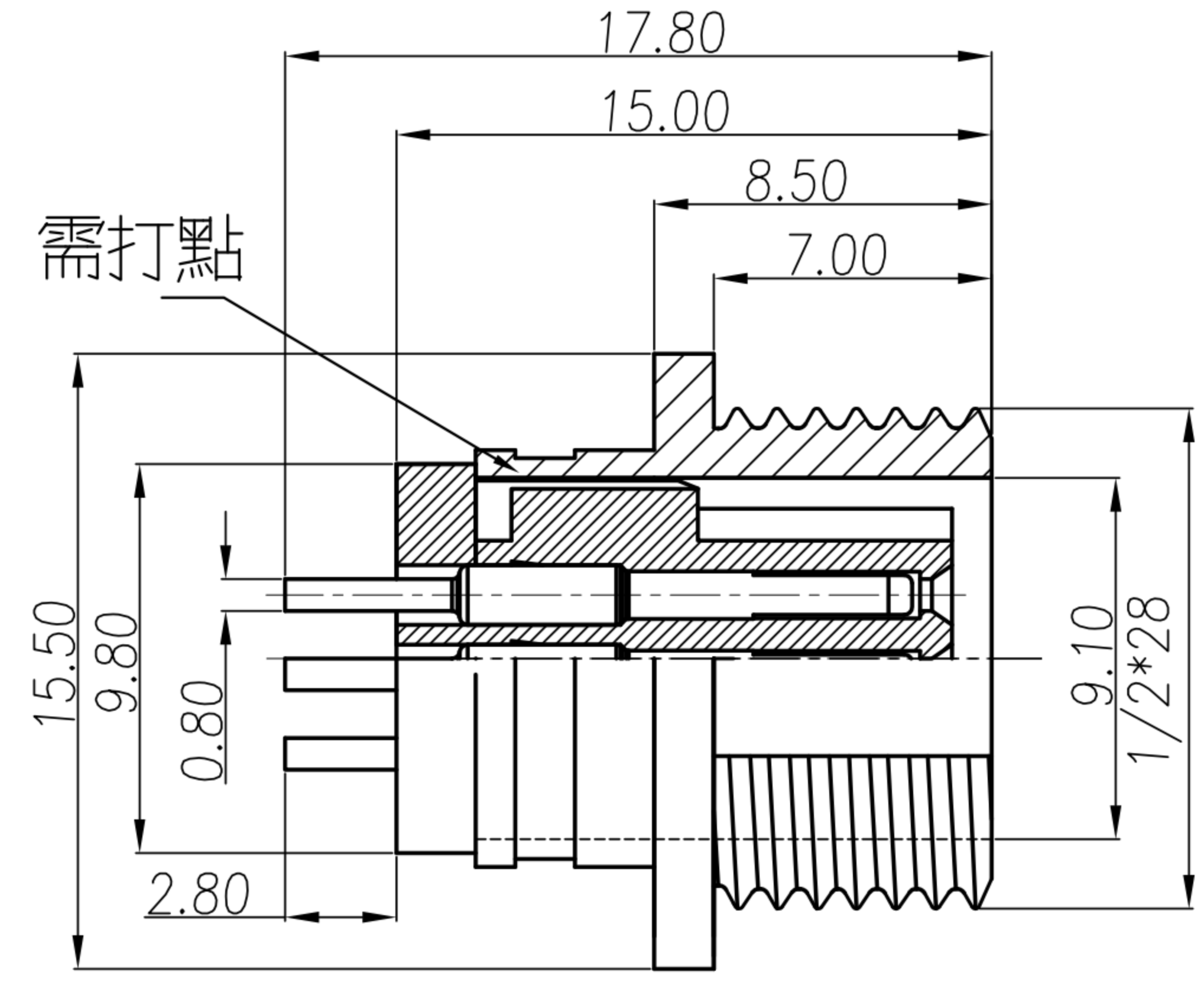


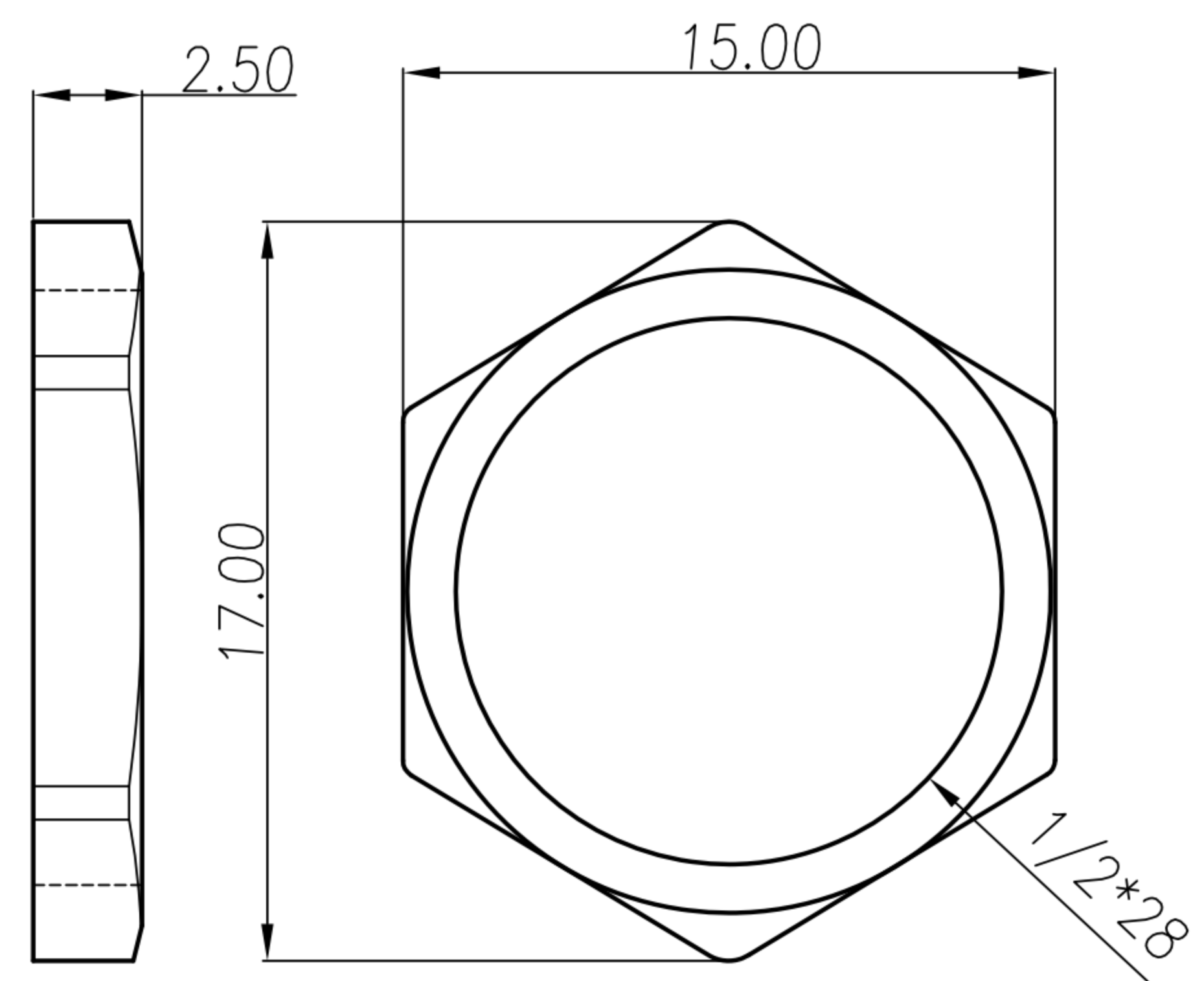
A B C D E F

CUSTOMER DRAWING

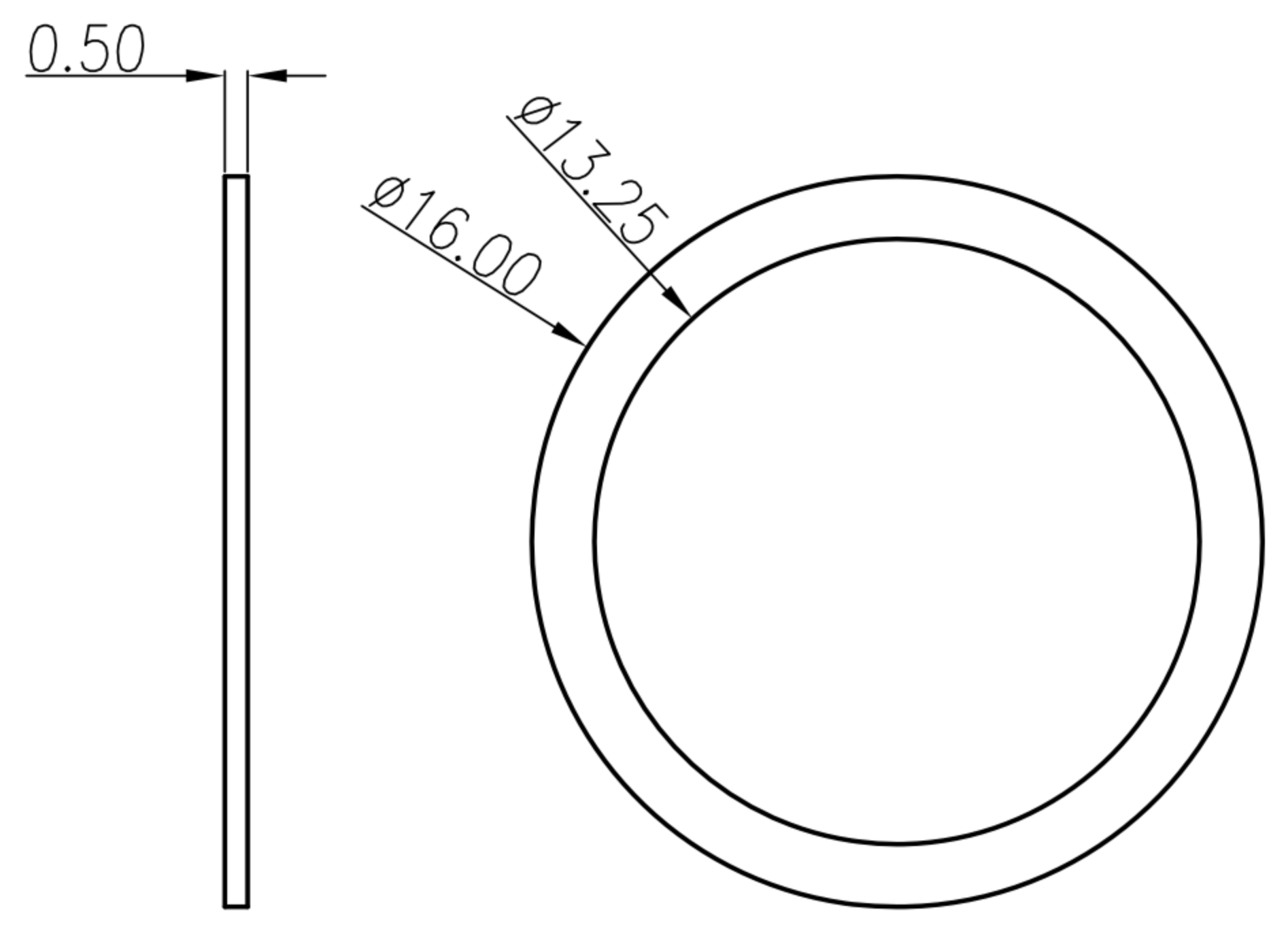
REV.	DESCRIPTION	APPROVED BY	DATE	ECN NO.
A	RELEASE	Fido Weng	13/12/13'	
B				
C				



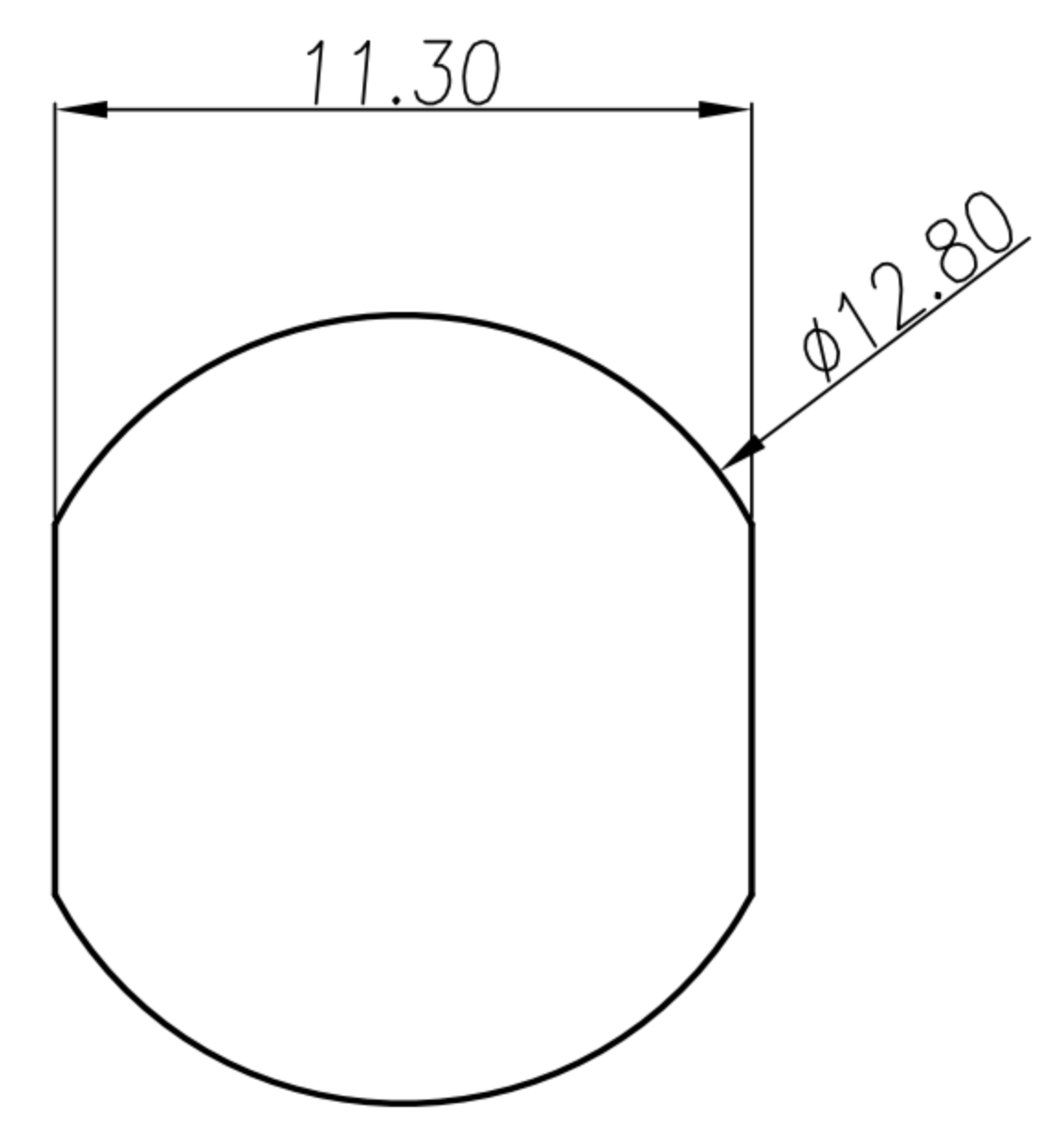
- MATERIAL :
 - 1-1. HOUSING : PBT+30%GF UL94V-0 ; COLOR : BLACK
 - 1-2. CONTACT : PHOSPHOR BRONZE
 - 1-3. NUT : BRASS
 - 1-4. SPACER : STAINLESS STEEL.
 - 1-5. SHELL : BRASS.
- FINISH :
 - 2-1. CONTACT : GOLD FLASH PLATED.
 - 2-2. NUT : NICKEL PLATED
 - 2-3. SPACER : NICKEL PLATED
 - 2-4. SHELL : NICKEL PLATED
- ELECTRICAL SPECIFICATION :
 - 3-1. Rated current : 2A
 - 3-2. Rated voltage : 12V
- Environmental :
 - 4-1. Operation Temperature : -20℃~85℃



NUT



SPACER



RECOMMEND PANEL CUT-OUT

DRAWN	Ting	APP'D	Emily Suen	UNIT	mm	TOLERANCE		广东科斯达电子科技有限公司 GUANG DONG KE SI DA ELECTRONIC TECHNOLOGY CO., LTD.	TITLE	MiniDin 8(F) 板端六角螺母			SHEET	
CHK'D	Emily Suen			SCALE	1:1	.x ±0.10 .xx ±0.05 .xxx ±0.03 .xxxx ±0.01 ANGULA ±1°			PART NO.	MD-08F1-17-11	DWG NO.	QC6449	VERSION	