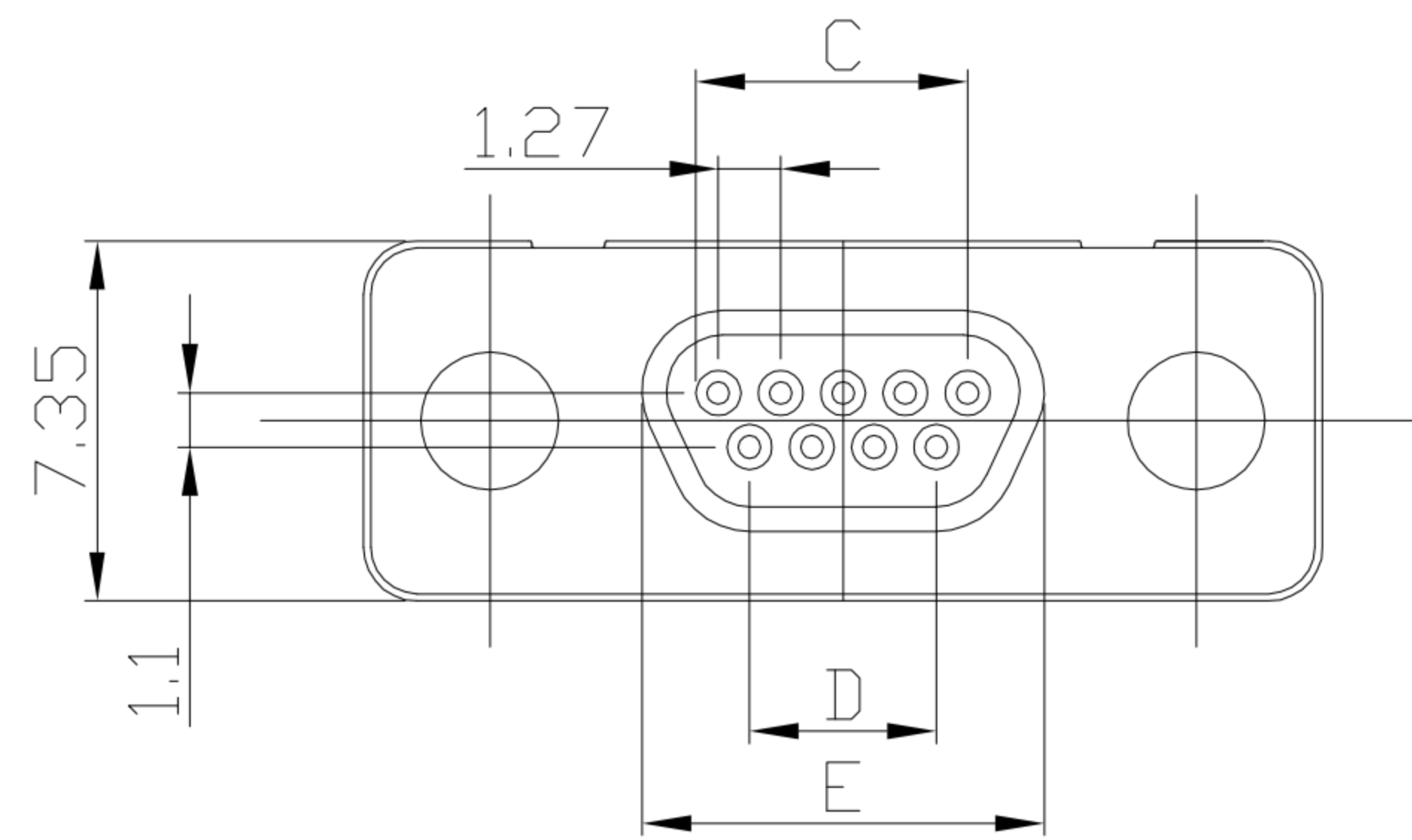
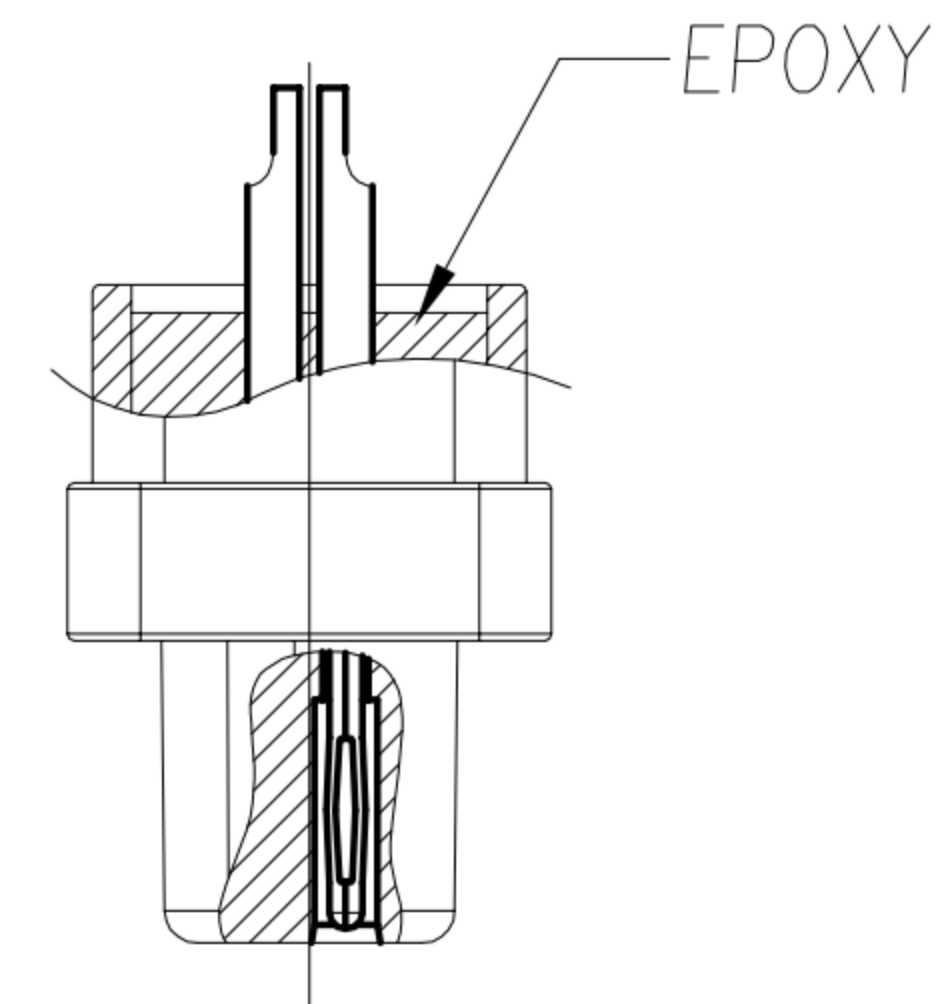
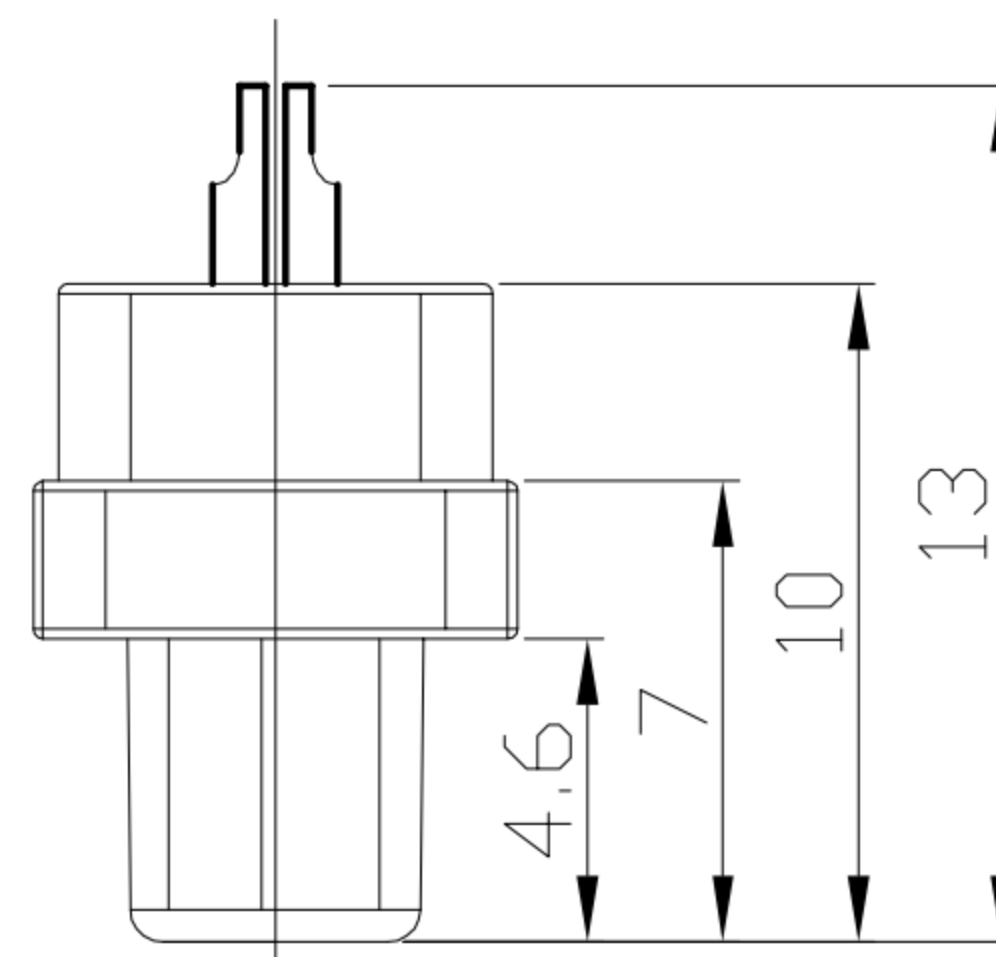
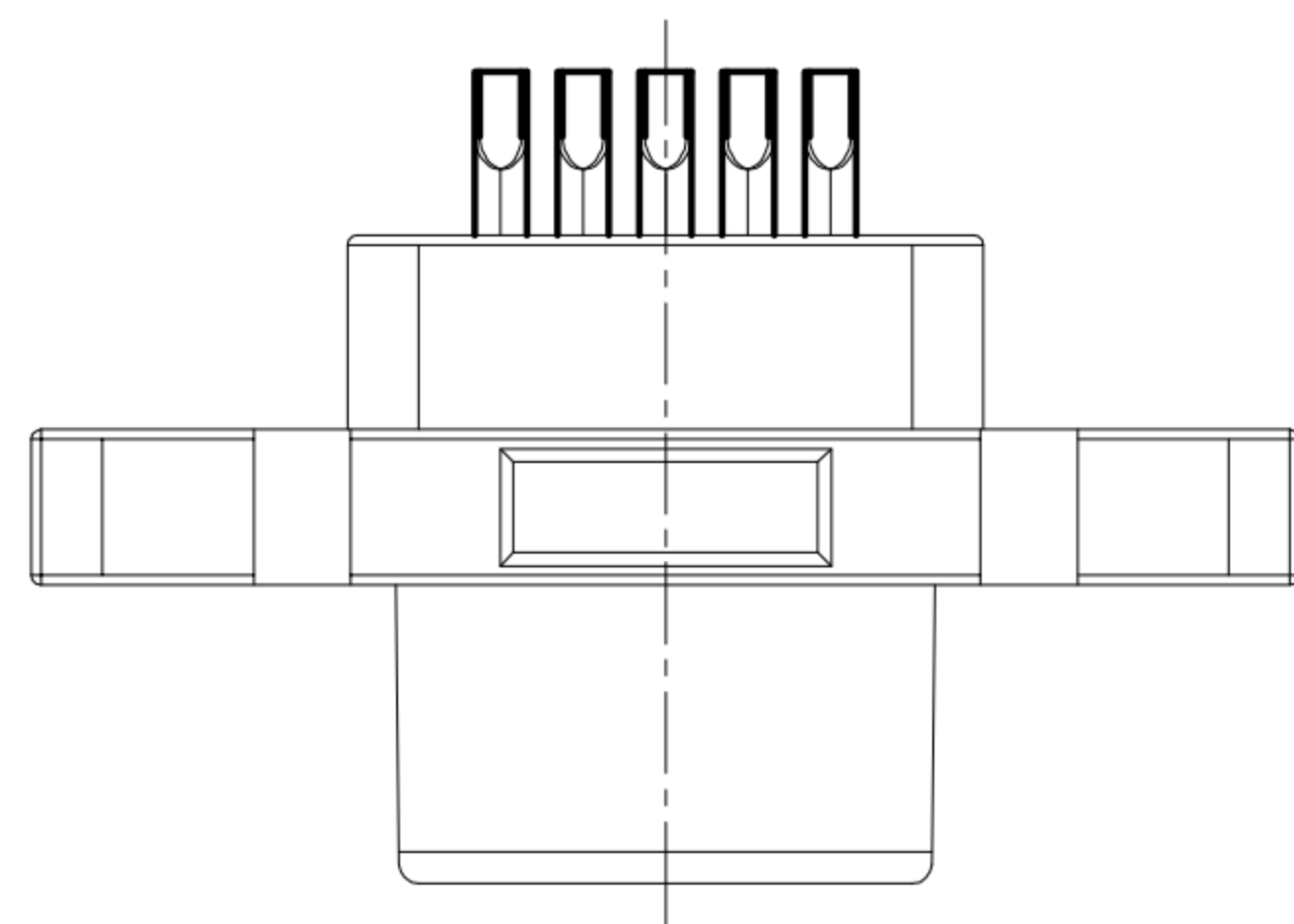
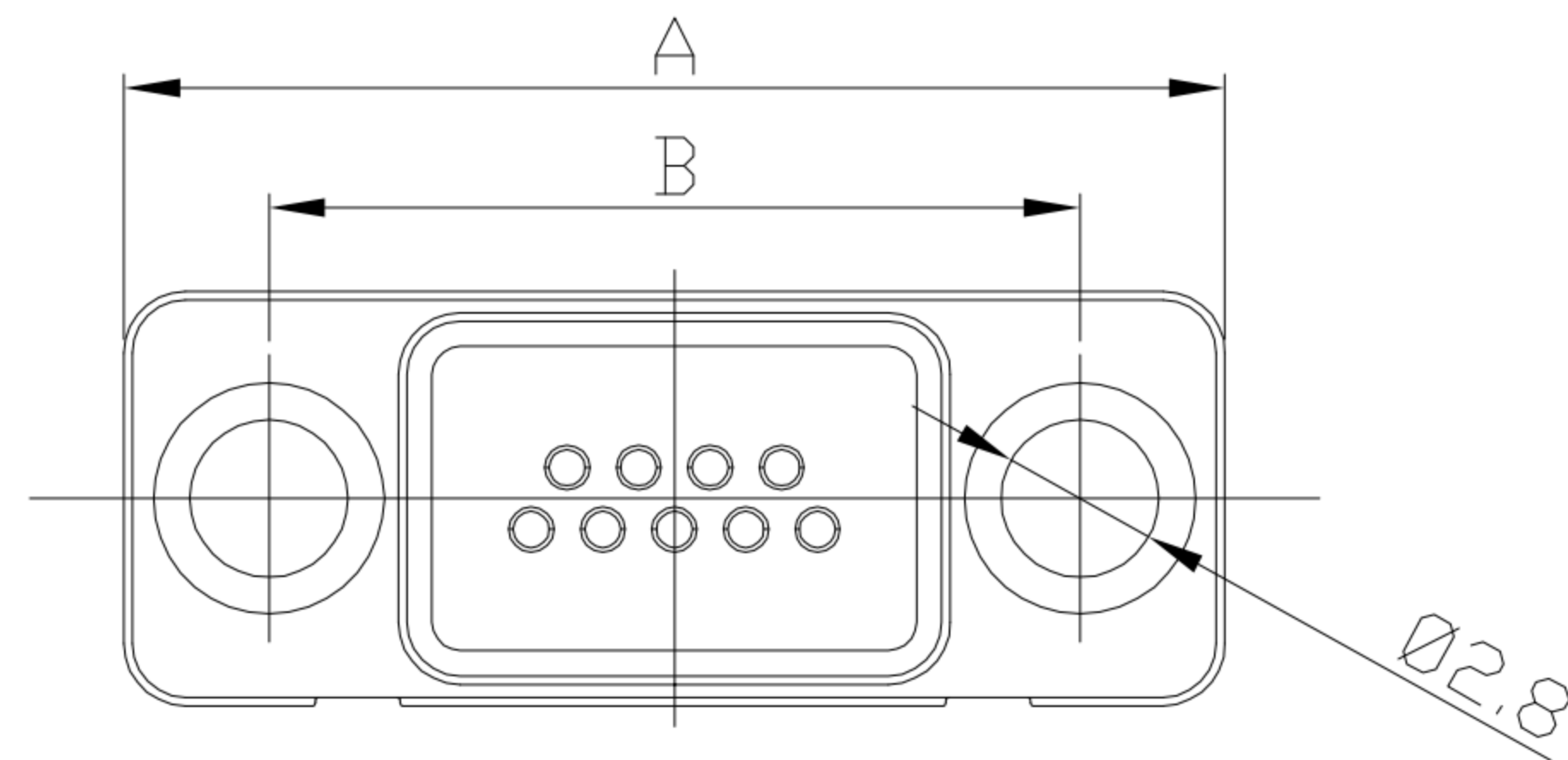


CUSTOMER DRAWING

REV.	DESCRIPTION	APPROVED BY	DATE	ECN NO.
A	RELEASE	Yeh Chou	15/08/2016	
B				
C				

TABLE A

P/N	NUMBER OF PINS	A	B	C	D	E
DB-09F2-06-11	9	19.55	14.35	5.08	3.81	8.20
DB-15F2-04-11	15	23.36	18.20	8.89	7.62	12.00
DB-25F2-04-11	25	29.70	24.55	15.24	13.97	18.35



- MATERIAL :**
 - HOUSING : PBT UL94V-0 ; COLOR : BLACK
 - CONTACT : PHOSPHOR BRONZE
 - SHELL : Zn Alloy
- FINISH :**
 - CONTACT : 15u" GOLD OVER 60u" MIN NICKEL ON MATING AREA
60u" MIN BRIGHT TIN OVER 60u" MIN NICKEL ON SOLDER AREA
 - SHELL : NICKEL PLATED 60u" ~ 100u" ON OVER ALL
- ELECTRICAL SPECIFICATION :**
 - RATED CURRENT : 1A at 25°C/77°F, 0.7A at 70°C/158°F
 - VOLTAGE : 350Vac
 - WITHSTANDING VOLTAGE: 630V AC
 - CONTACT RESISTANCE: 15 m (MAX) INITIAL
CONTACT RESISTANCE: 30 m (MAX) FINAL
 - INSULATION RESISTANCE: 1000 M ohms (MIN)
- Environmental :**
 - Operation Temperature : -40°C~+125°C

DRAWN	Yeh Chou	APP'D	Emily Suen	UNIT	mm	TOLERANCE			TITLE	MICRO D-SUB FEMALE 焊線式			SHEET	1
CHK'D	Emily Suen			SCALE	1:1	.x ±0.20 .xx ±0.15 .xxx ±0.10 .xxxx ±0.05 ANGULA ±1°			PART NO.	SEE TABLE A	DWG NO.	QC7595	VERSION	A