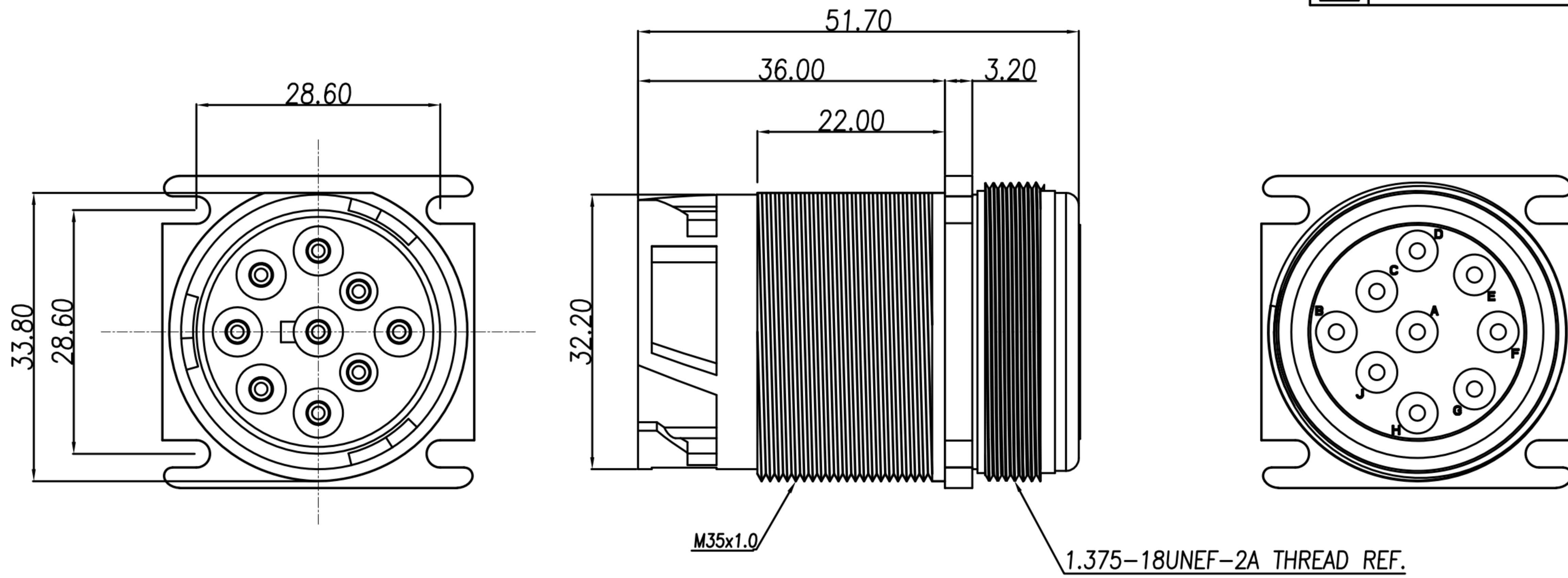
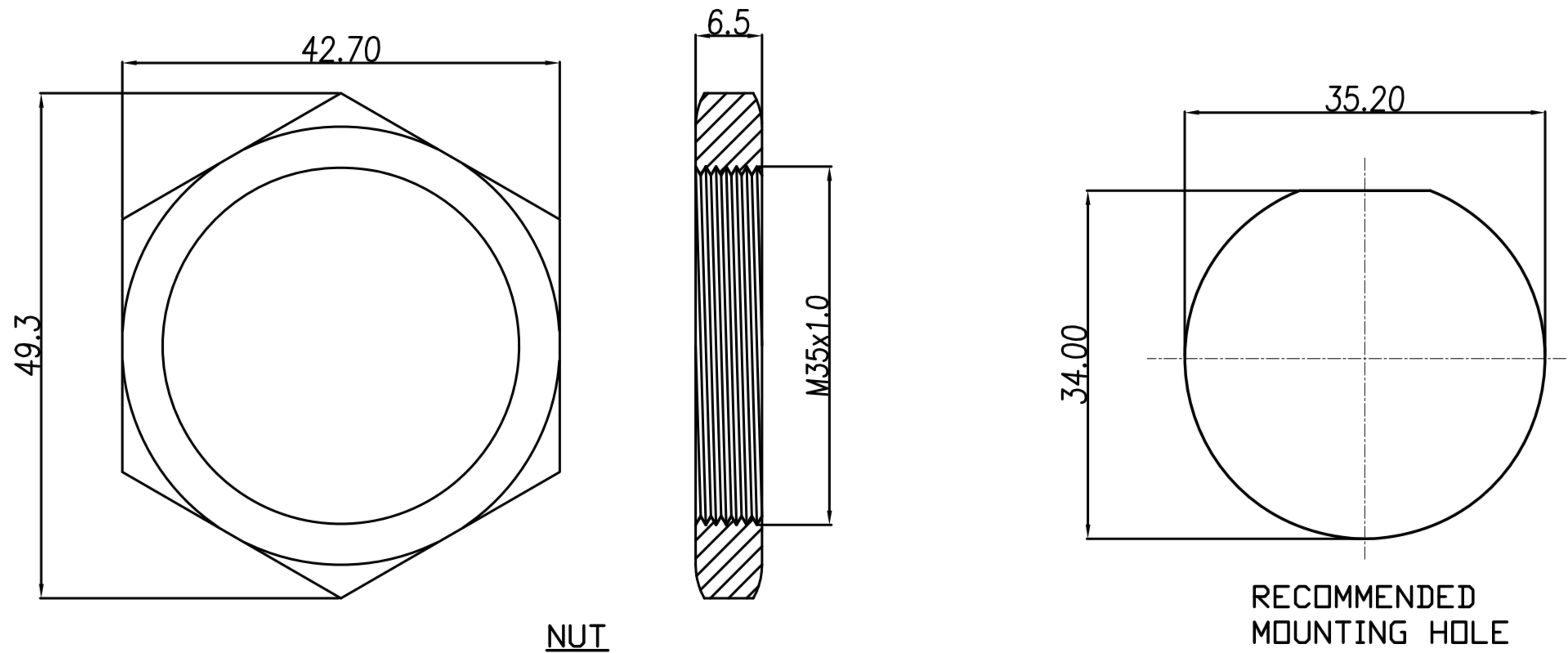


CUSTOMER DRAWING

REV.	DESCRIPTION	APPROVED BY	DATE	ECN NO.
△A	RELEASE	Yeh Chou	2017/11/20	
△B				
△C				
△D				



1. MATERIAL :
 - 1-1. INSULATOR : PA66 ; COLOR : BLACK
 - 1-2. HOUSING : PA66 ; COLOR : BLACK
 - 1-3. REAR COVER : PA66 ; COLOR : BLACK
 - 1-4. NUT : PA66 ; COLOR : BLACK
 - 1-5. RUBBER : SILICONE ; COLOR : ORANGE
2. ELECTRICAL SPECIFICATION :
 - 2-1. Rated current : 13A
 - 2-2. Rated Voltage : 500V
 - 2-3. Water proof : IP67
3. Environmental :
 - 3-1. Operation Temperature : -40~105°



DRAWN	Yeh Chou	APP'D	Ku Chou	UNIT	mm	TOLERANCE		广东科斯达电子科技有限公司 GUANG DONG KE SI DA ELECTRONIC TECHNOLOGY CO., LTD.	TITLE	防水9PIN(F)(1.375-18UNEF)加强型			SHEET	1 A
CHK'D	Yeh Chou			SCALE	1:1	.x ±0.20 .xx ±0.10 .xxx ±0.05 .xxxx ±0.03 ANGULA ±1°			PART NO.	WP-09F2-24-01	DWG NO.	QC8165	VERSION	