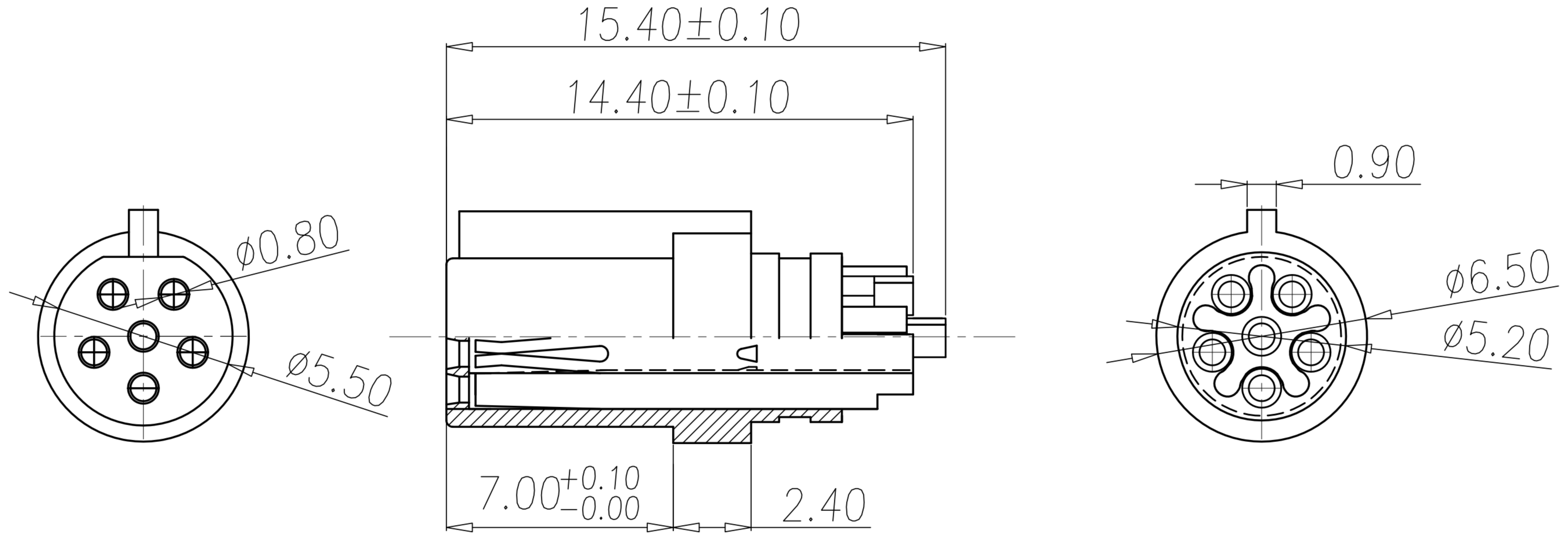


CUSTOMER DRAWING

REV.	DESCRIPTION	APPROVED BY	DATE	ECN NO.
A	PRELIMINARY RELEASE	Fido Weng	15/04/09*	
B				
C				



- 備註 /NOTE:
1. 材質 /MATERIAL:
 - 1-1. 膠芯 /HOUSING: PBT15%(黑色 /BLACK)
 - 1-2. 針 /PIN: 磷銅 /PHOSPHOR BRONZE
 2. 電鍍 /PLATING:
 - 2-1. 針 /PIN: 銀 30u" /SILVER 30u"

TABLE A

SPD-06F1-02	特6(F)成型式(重拉力)
SPD-06F1-01	特6(F)成型式
Part No.	DESCRIPTION