

CUSTOMER DRAWING

REV.	DESCRIPTION	APPROVED BY	DATE	ECN NO.
△A	RELEASE	EMILY SUEN	03/01/11'	
△B	變更膠心顏色	KU	06/05/16'	ECN-16007
△C				

1. MATERIAL :

- 1-1. INSULATOR : PA66 ; COLOR : SEE TABLE A
- △B 1-2. HOUSING : PA66 ; COLOR :BLACK
- 1-3. REAR COVER : PA66 ; COLOR : SEE TABLE A
- 1-4. COUPLING RING : PA66 ; COLOR : SEE TABLE A
- 1-5. RUBBER : SILICONE ; COLOR : ORANGE
- 1-6. O-RING : SILICONE ; COLOR : ORANGE

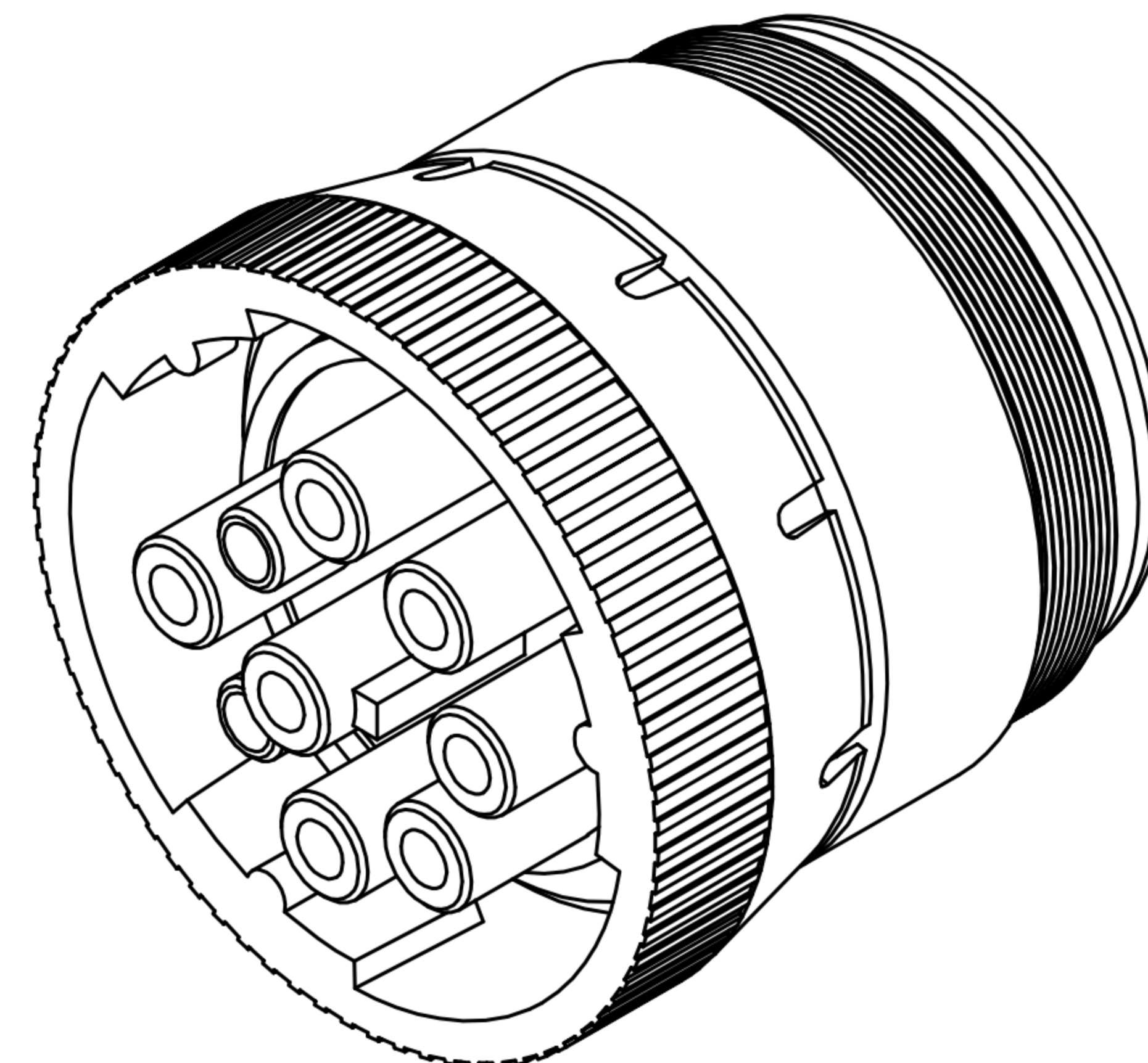
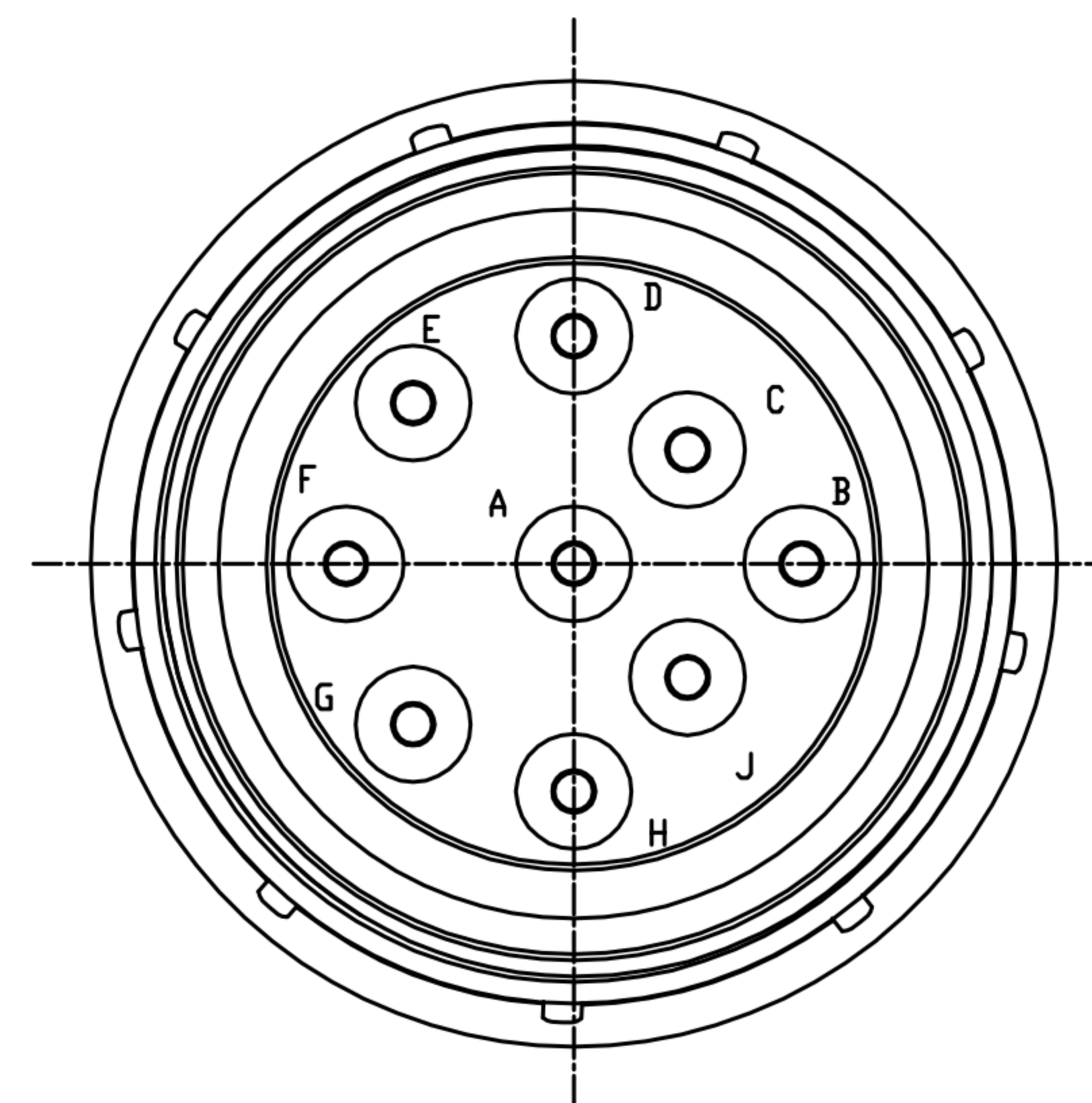
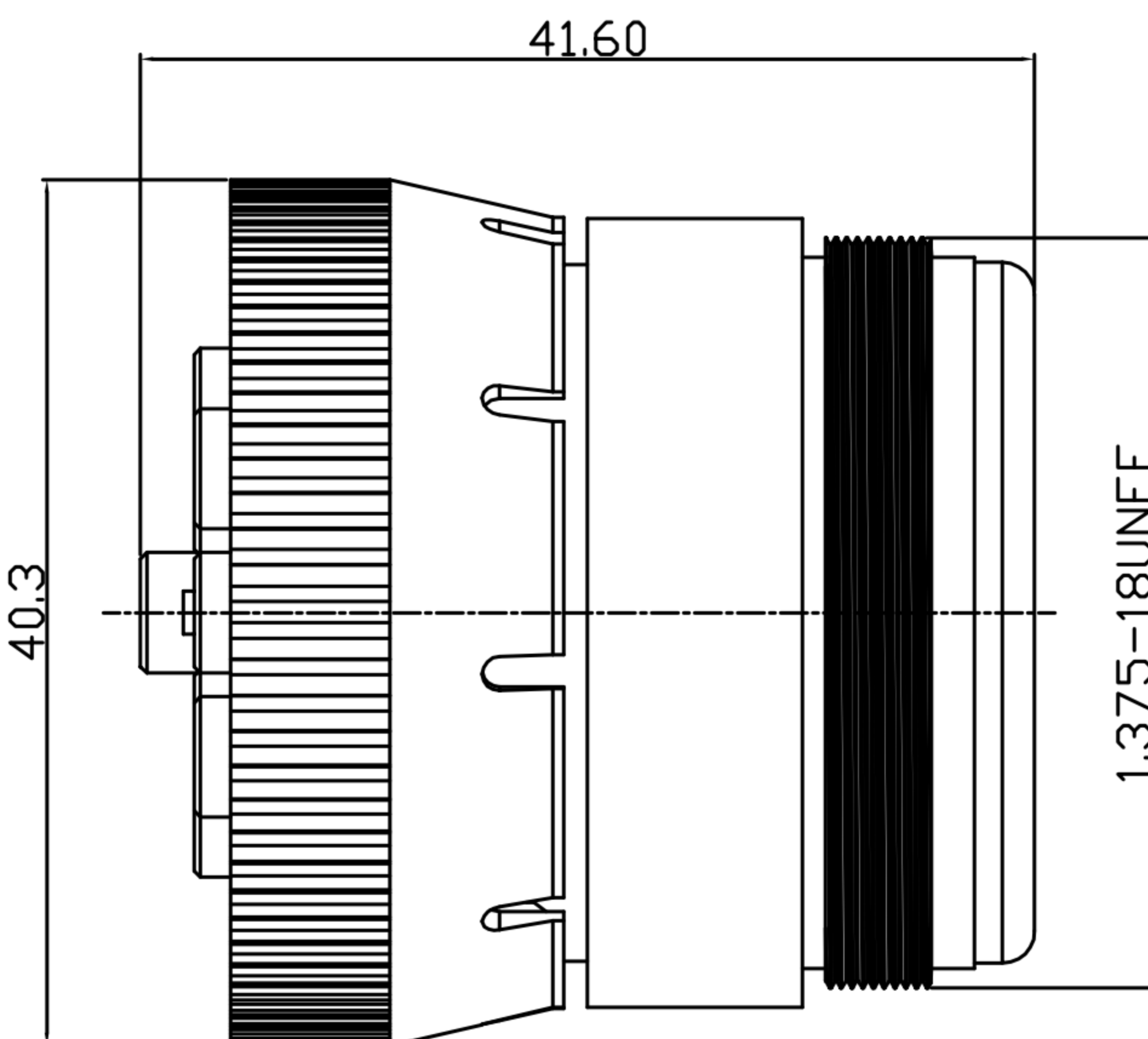
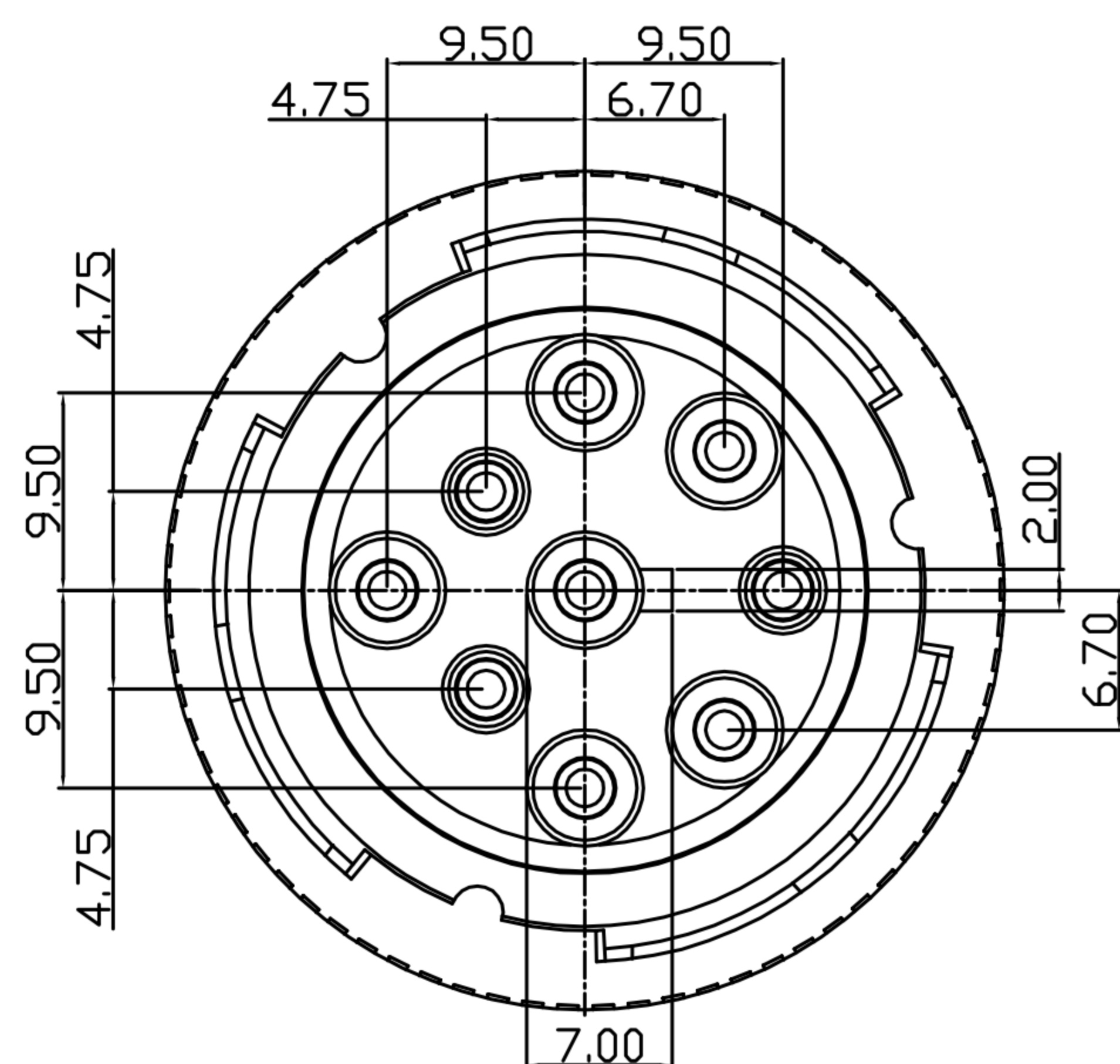


TABLE A

P/N	TITLE
WP-09M2-10-11	防水頭9PIN(M)(1.375-18UNEF)(6粗3細)(黑色)
WP-09M2-04-11	防水頭9PIN(M)(1.375-18UNEF)(綠色)



DRAWN	Yeh Chou	APP'D	Ku Chou	UNIT	mm	TOLERANCE			TITLE	防水頭9PIN(M)(1.375-18UNEF)(綠色)			SHEET	1/1
CHK'D	Yeh Chou			SCALE	1:1				PART NO.	SEE TABLE A	DWG NO.	QC6817	VERSION	B