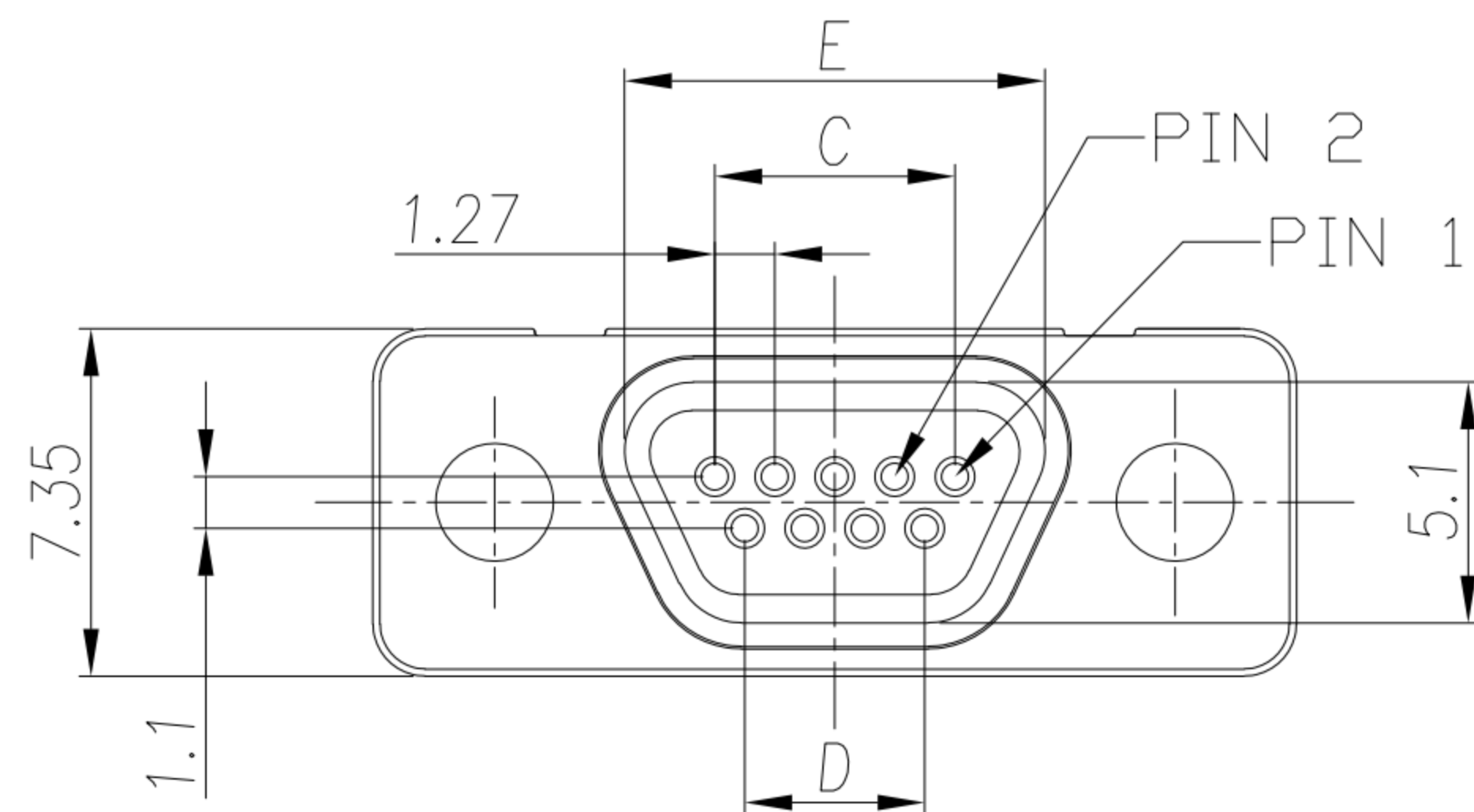
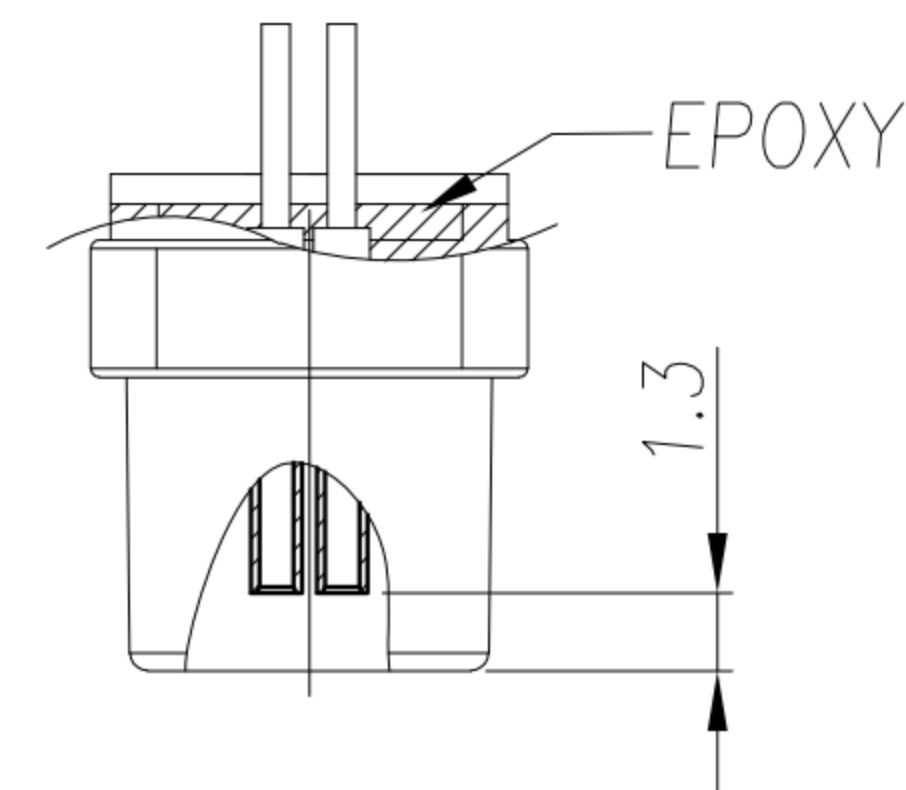
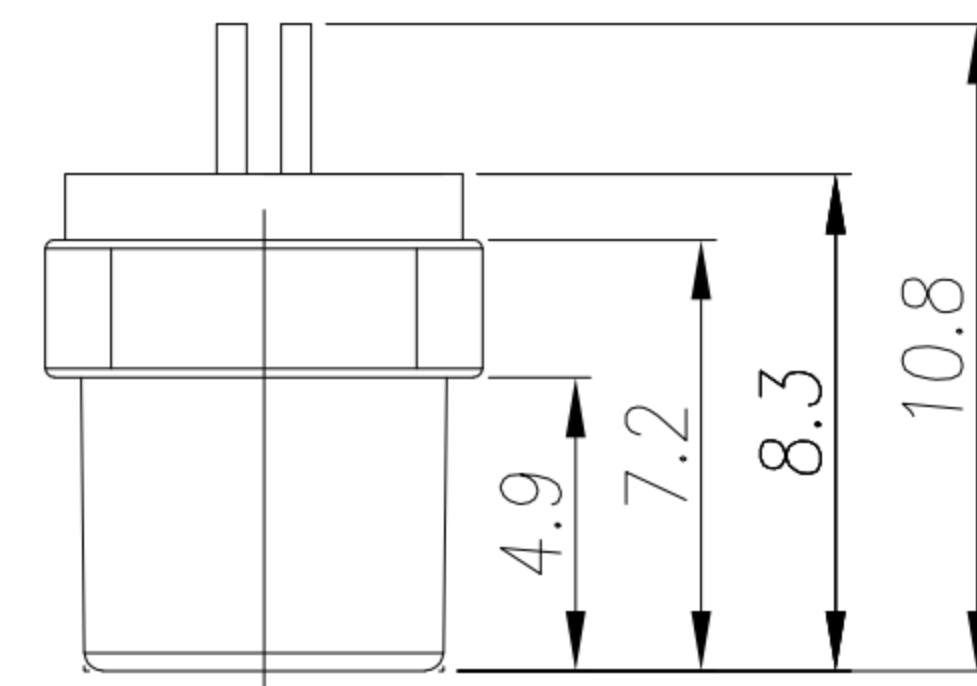
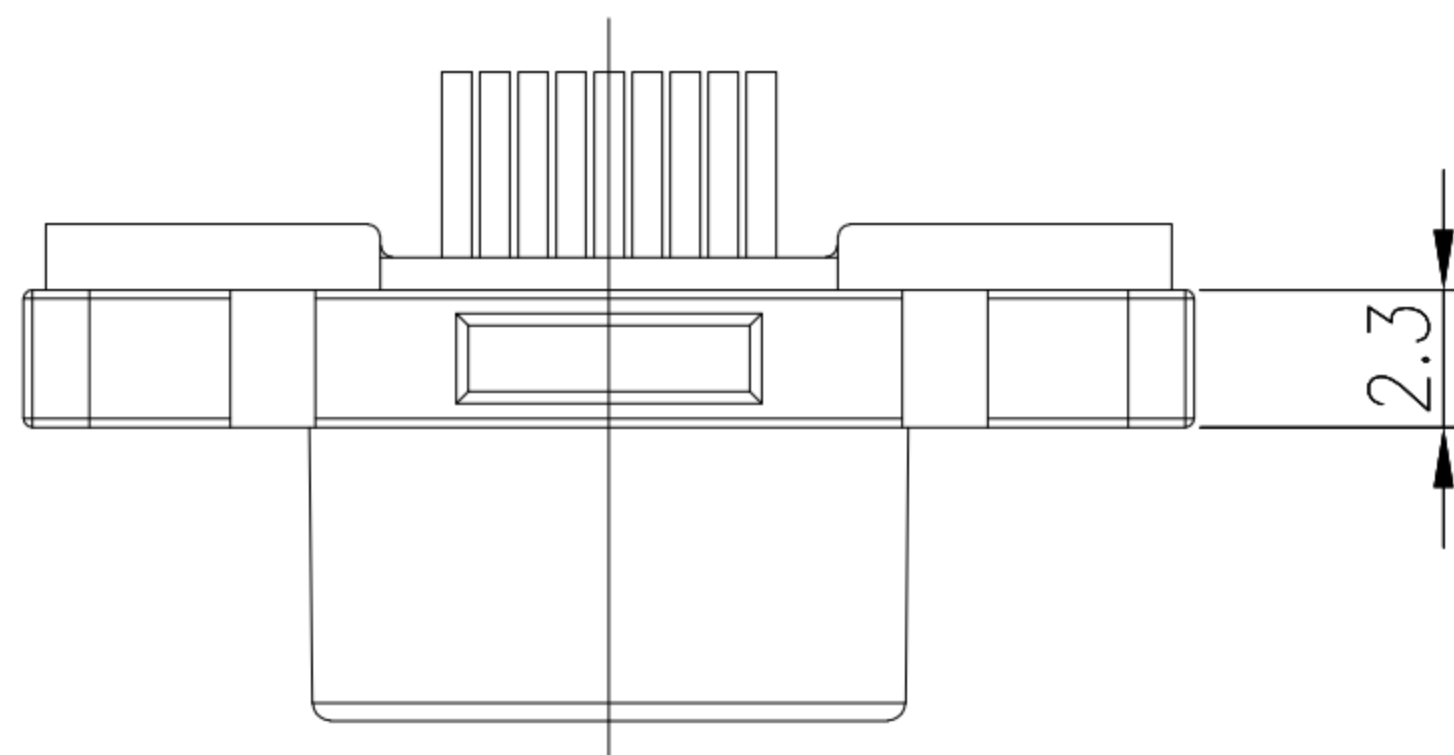
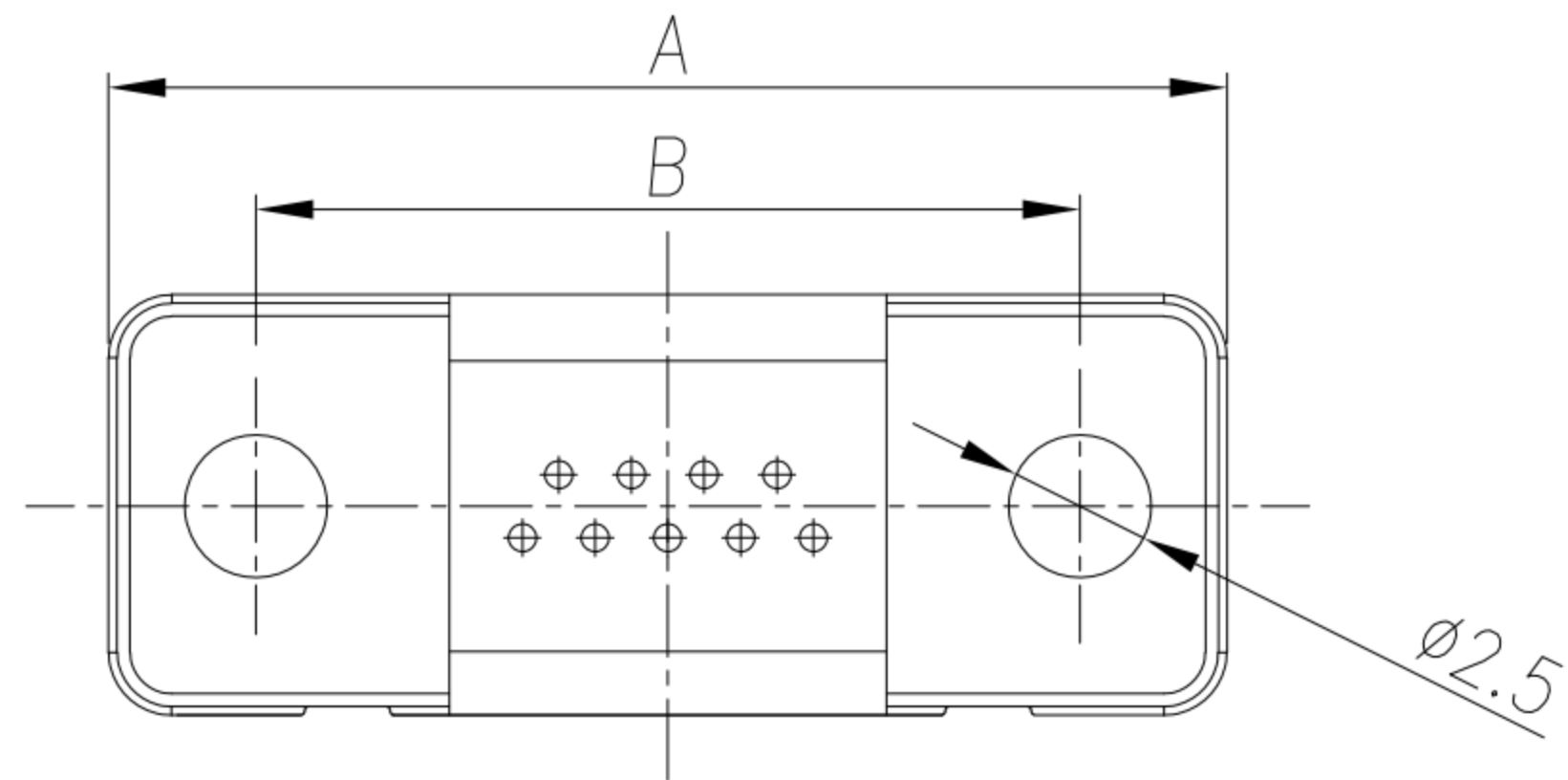


CUSTOMER DRAWING

REV.	DESCRIPTION	APPROVED BY	DATE	ECN NO.
△A	RELEASE&CHANGE P/N	Emily Suen	07/12/2011"	
△B				
△C				

TABLE A

P/N	NUMBER OF PINS	A	B	C	D	E
DB-09M2-04	9	19.55	14.35	5.08	3.81	8.90
DB-15M2-02	15	23.36	18.20	8.89	7.62	12.60
DB-25M2-02	25	29.70	24.55	15.24	13.97	19.20



- MATERIAL :
  - 1-1. HOUSING : PBT UL94V-0 ; COLOR : BLACK
  - 1-2. CONTACT : BRASS
  - 1-3. SHELL : Zn Alloy
- FINISH :
  - 2-1. CONTACT : 15u" GOLD OVER 60u" MIN NICKEL ON MATING & SOLDER AREA
  - 2-2. SHELL : NICKEL PLATED 60u" ~ 100u" ON OVER ALL
- ELECTRICAL SPECIFICATION :
  - 3-1. RATED CURRENT : 1A at 25°C/77°F, 0.7A at 70°C/158°F
  - 3-2. VOLTAGE : 350Vac
  - 3-3. WITHSTANDING VOLTAGE: 630V AC
  - 3-4. CONTACT RESISTANCE: 15 m (MAX) INITIAL  
CONTACT RESISTANCE: 30 m (MAX) FINAL
  - 3-5. INSULATION RESISTANCE: 1000 M ohms (MIN)
- Environmental :
  - 4-1. Operation Temperature : -40°C~+125°C

DRAWN	Yeh Chou	APP'D	Ku Chou	UNIT	mm	TOLERANCE		广东科斯达电子科技有限公司 GUANG DONG KE SI DA ELECTRONIC TECHNOLOGY CO., LTD.	TITLE	MICRO D-SUB MALE 9P-25P			SHEET	1/1 VERSION A
CHK'D	Emily Suen			SCALE	1:1	.x ±0.20 .xx ±0.15 .xxx ±0.10 .xxxx ±0.05 ANGULA ±1°			PART NO.	TABLE A	DWG NO.	QC1001		