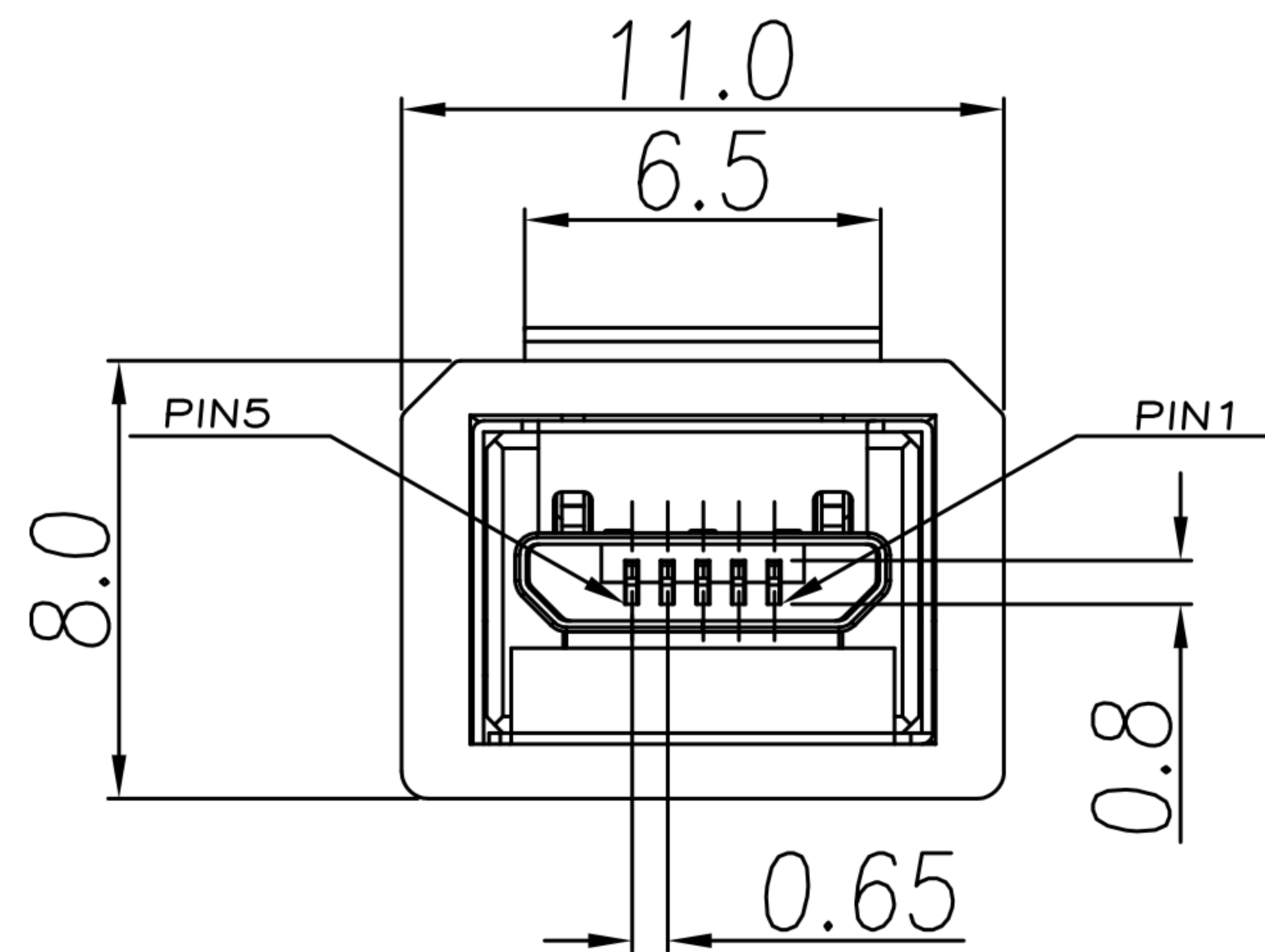
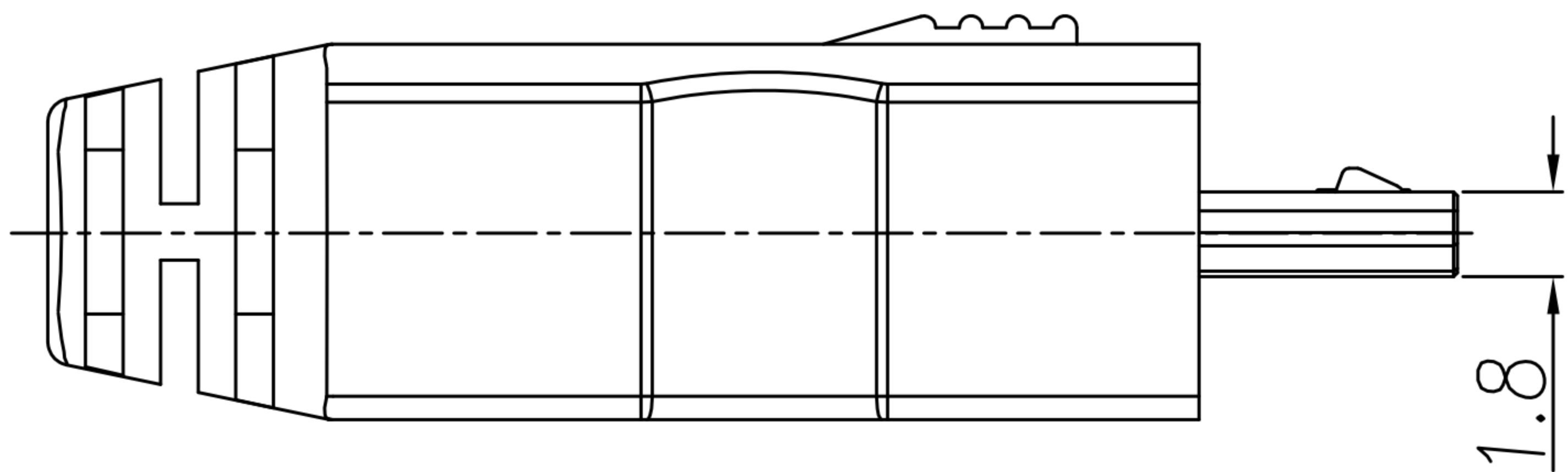
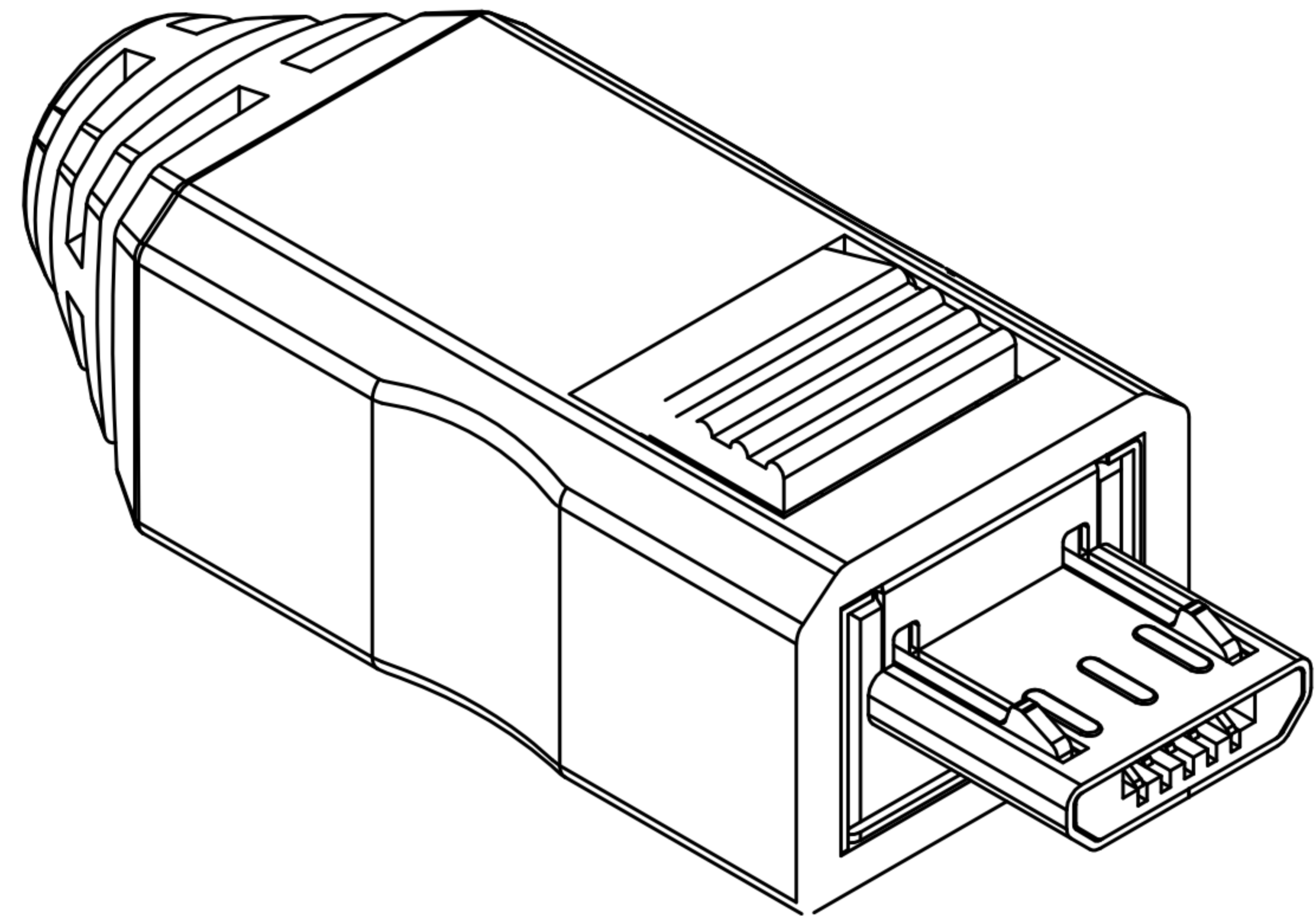
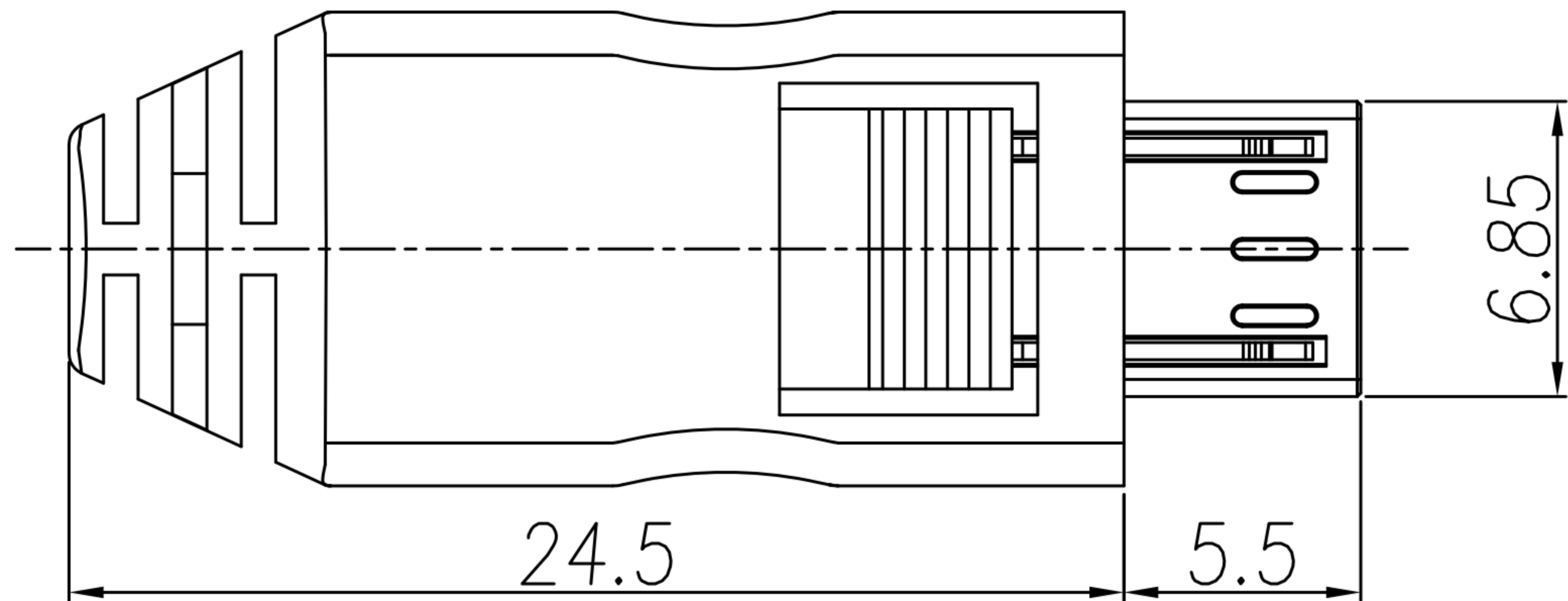


CUSTOMER DRAWING
ASSEMBLY DRAWING

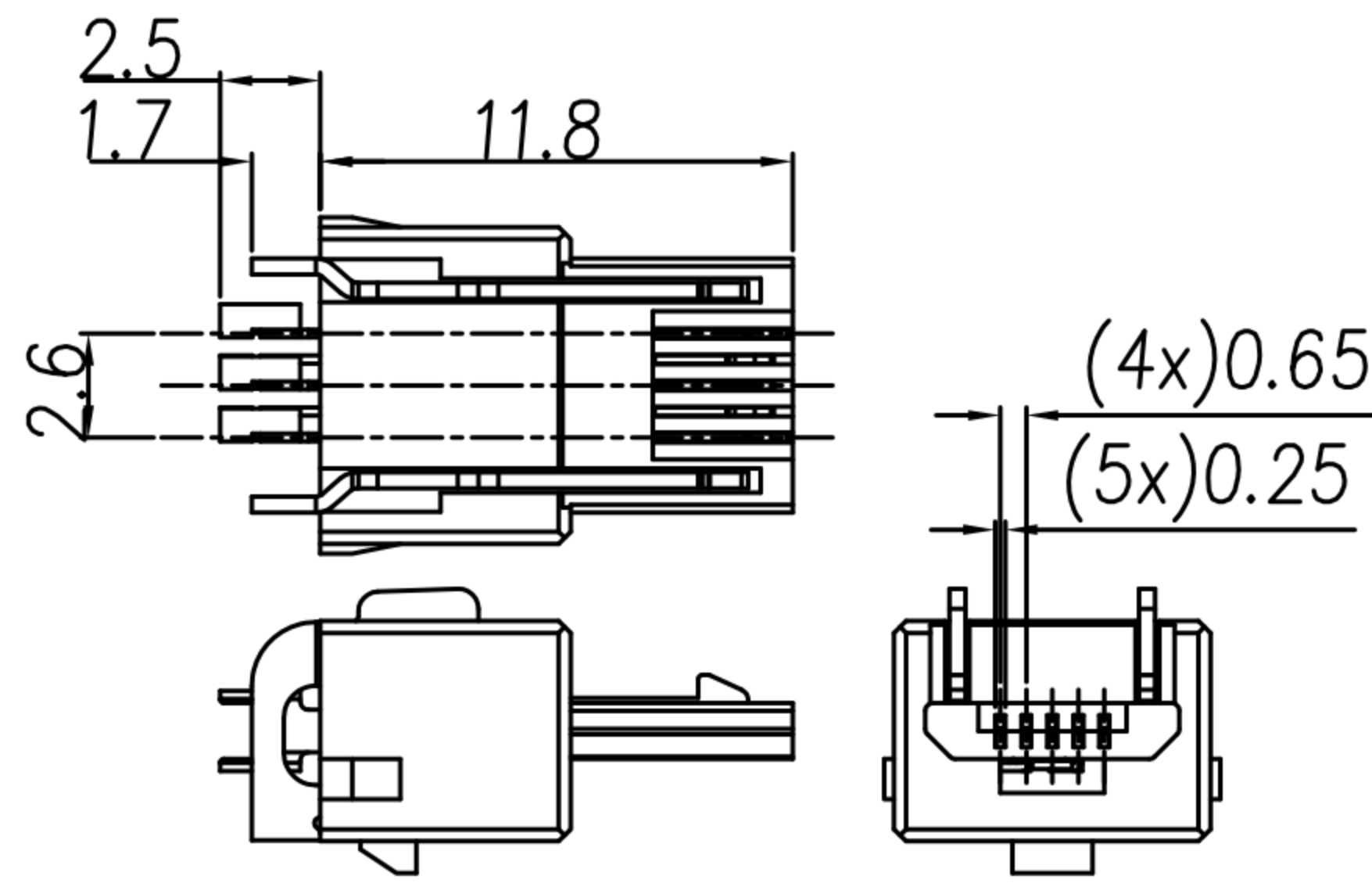
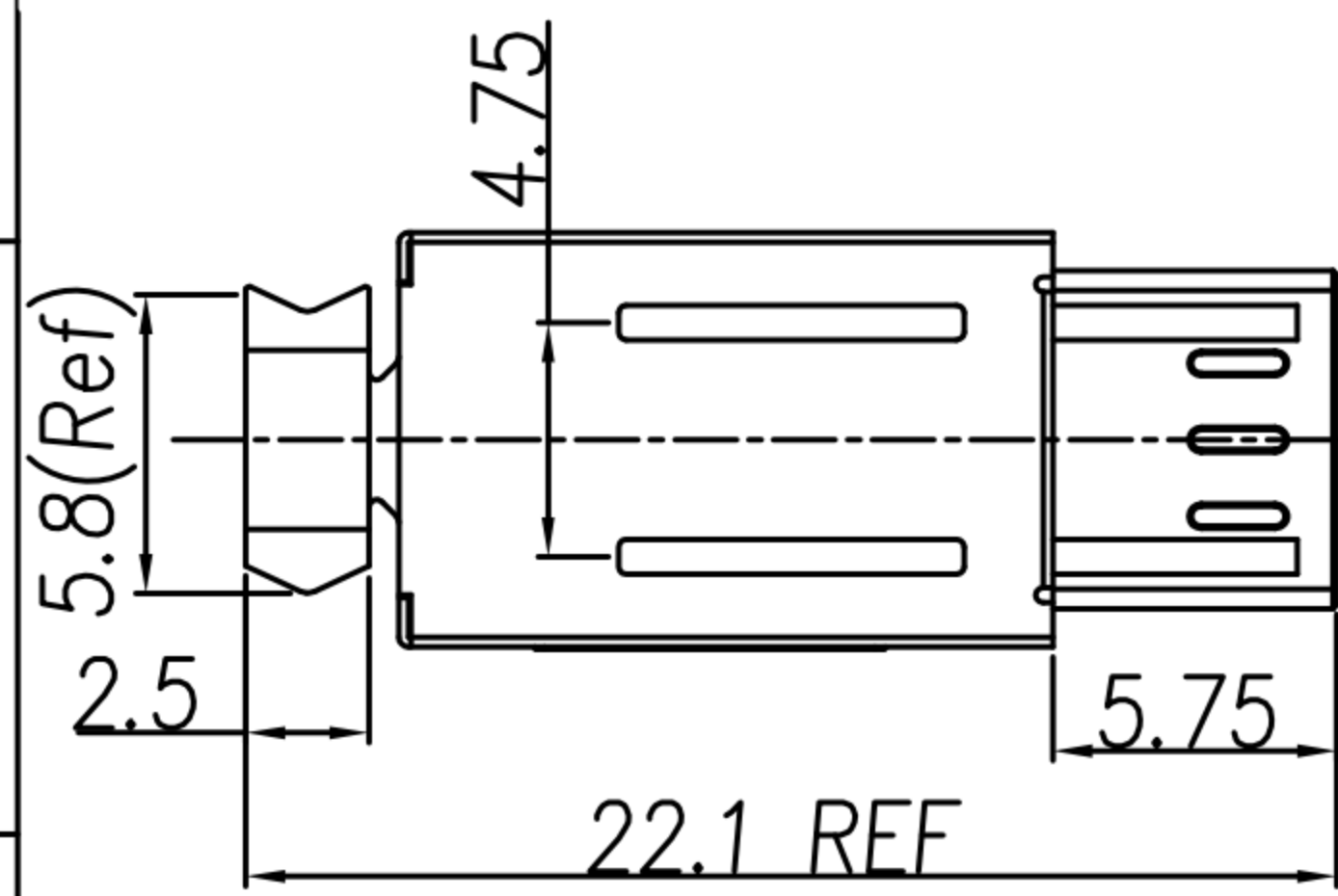
REV.	DESCRIPTION	APPROVED BY	DATE	ECN NO.
△	RELEASE	Fido Weng	17/02/09*	
△	RELEASE	Fido Weng	14/05/09*	ECN09084
△				



DRAWN	Jen Xie	APPEND	Emily Suen	UNIT	mm	TOLERANCE		广东科斯达电子科技有限公司 GUANG DONG KE SI DA ELECTRONIC TECHNOLOGY CO., LTD.	TITLE	MICRO USB 5PIN(M) B TYPE			SHEET	2/2
CHKED	Emily Suen			SCALE	1:1	.x ±0.20 .xx ±0.10 .xxx ±0.05 .xxxx ±0.03 ANGULA ±1°			PART NO.	TABLE A	DWG NO.	QC2549	VERSION	J

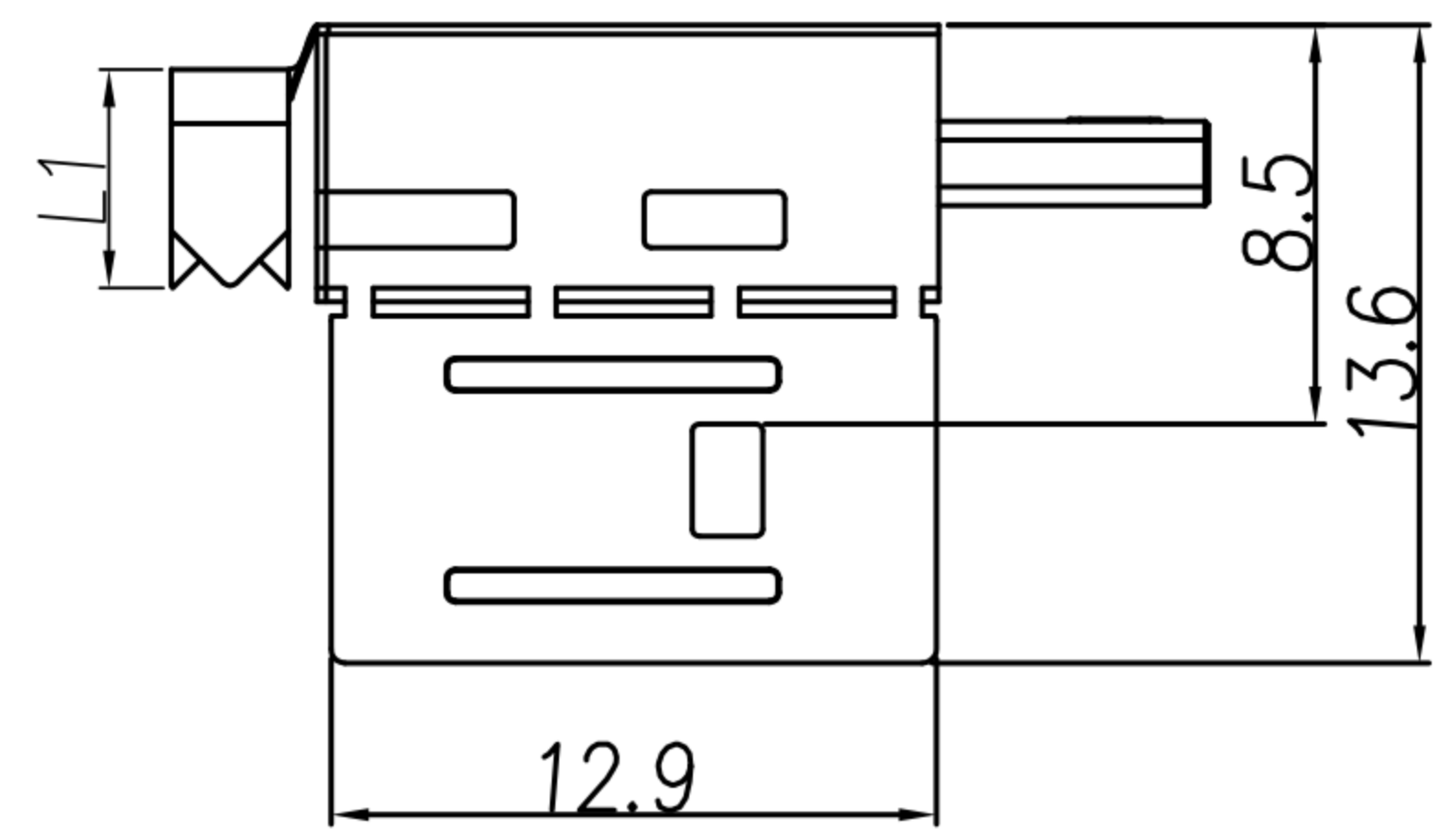
CUSTOMER DRAWING

REV.	DESCRIPTION	APPROVED BY	DATE	ECN NO.
△	RELEASE	Fido Weng	17/02/09*	
△	RELEASE	Fido Weng	14/05/09*	ECN09084
△				



HOUSING+PIN+LATCH

- MATERIAL :
 - 1-1. HOUSING : NYLON ; COLOR : SEE TABLE A
 - 1-2. COVER : NYLON ; COLOR : BLACK.
 - 1-3. CONTACT : PHOSPHOR BRONZE.
 - 1-4. SHELL : STAINLESS STEEL
 - 1-5. LATCH : STAINLESS STEEL
- FINISH :
 - 2-1. CONTACT : SEE TABLE A MIN ON CONTACT AREA, TIN 100u" MIN ON SOLDER TAILS, UNDERPLATED NICKEL OVER ALL
 - 2-2. SHELL : SEE TABLE A



SHELL

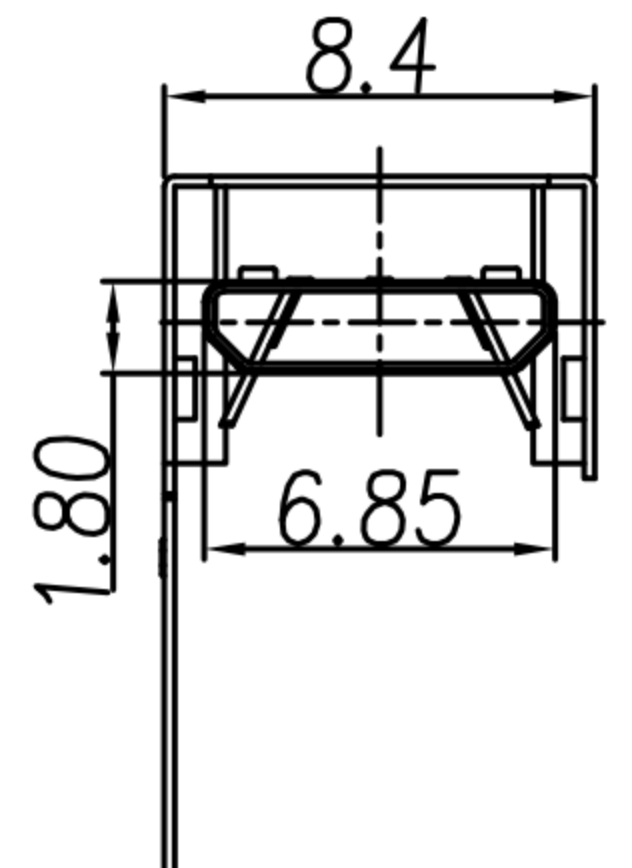
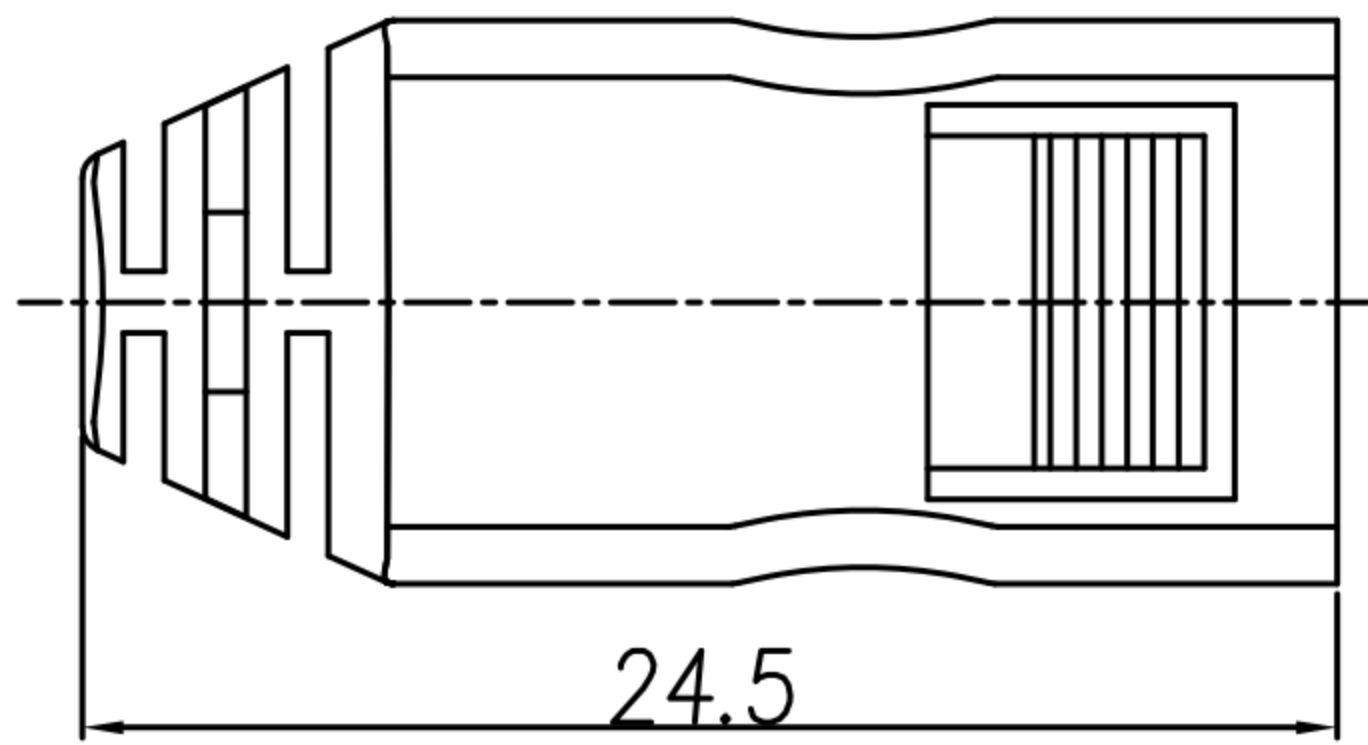


TABLE A

P/N	DESCRIPTION	HOUSING	L1	L2
MU-05M4-14	PIN : GOLD 15u" MIN ON CONTACT AREA, BRIGHT TIN 100u" MIN ON SOLDER TAILS, UNDERPLATED NICKEL OVER ALL SHELL : OFF WITH GREASINESS	BLACK	6.6mm	ø4.7
MU-05M4-10	PIN : GOLD 30u" MIN ON CONTACT AREA, BRIGHT TIN 100u" MIN ON SOLDER TAILS, UNDERPLATED NICKEL OVER ALL SHELL : OFF WITH GREASINESS	BLACK	4.6mm	ø3.5
MU-05M4-09	PIN : GOLD 15u" MIN ON CONTACT AREA, BRIGHT TIN 100u" MIN ON SOLDER TAILS, UNDERPLATED NICKEL OVER ALL SHELL : GOLD FLASH	BLACK	4.6mm	ø3.5
MU-05M4-08	PIN : GOLD 15u" MIN ON CONTACT AREA, BRIGHT TIN 100u" MIN ON SOLDER TAILS, UNDERPLATED NICKEL OVER ALL SHELL : OFF WITH GREASINESS	WHITE	4.6mm	ø3.5
MU-05M4-06	PIN : GOLD 15u" MIN ON CONTACT AREA, BRIGHT TIN 100u" MIN ON SOLDER TAILS, UNDERPLATED NICKEL OVER ALL SHELL : OFF WITH GREASINESS	BLACK	4.6mm	ø3.5
P/N	DESCRIPTION	HOUSING	L1	L2



COVER

