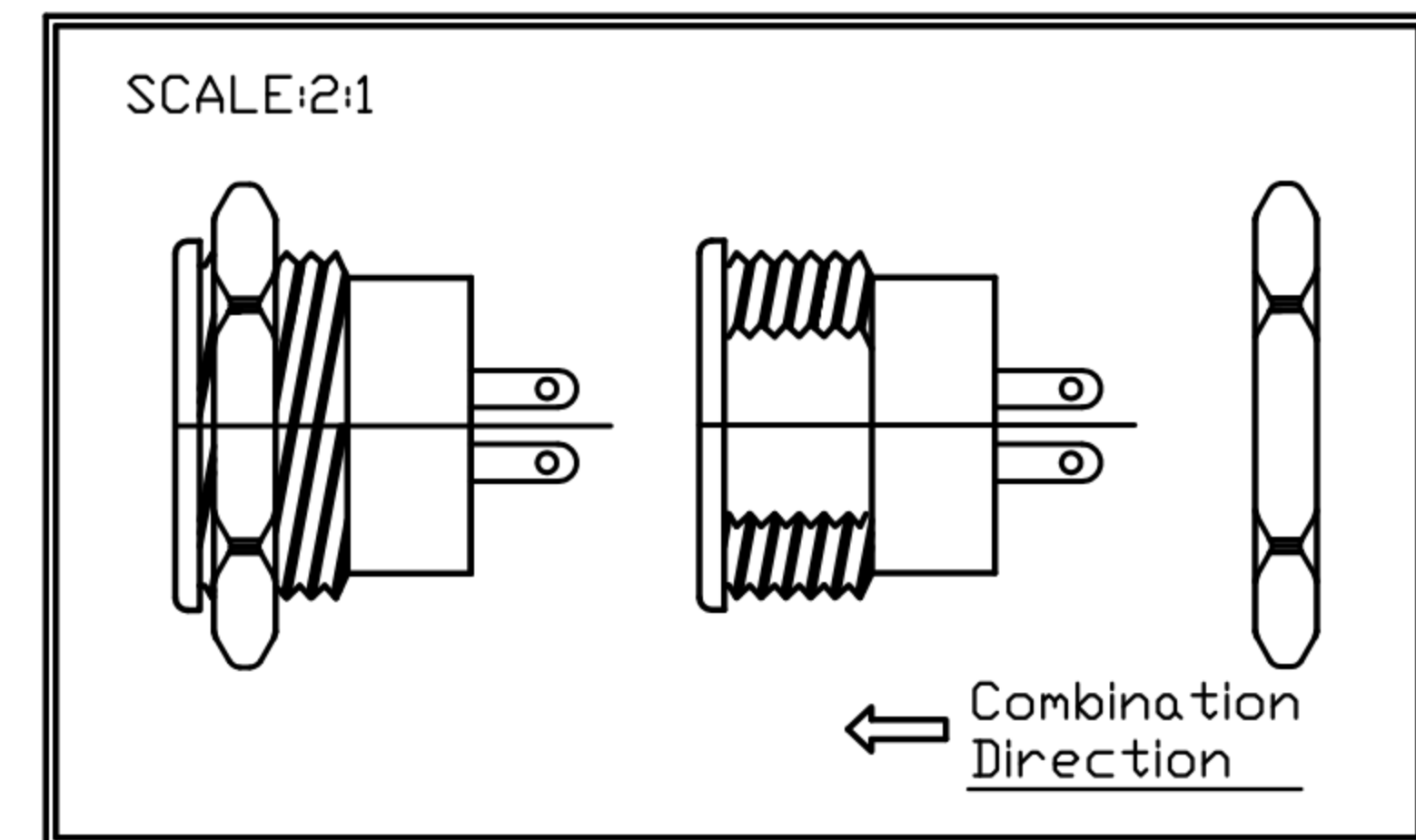
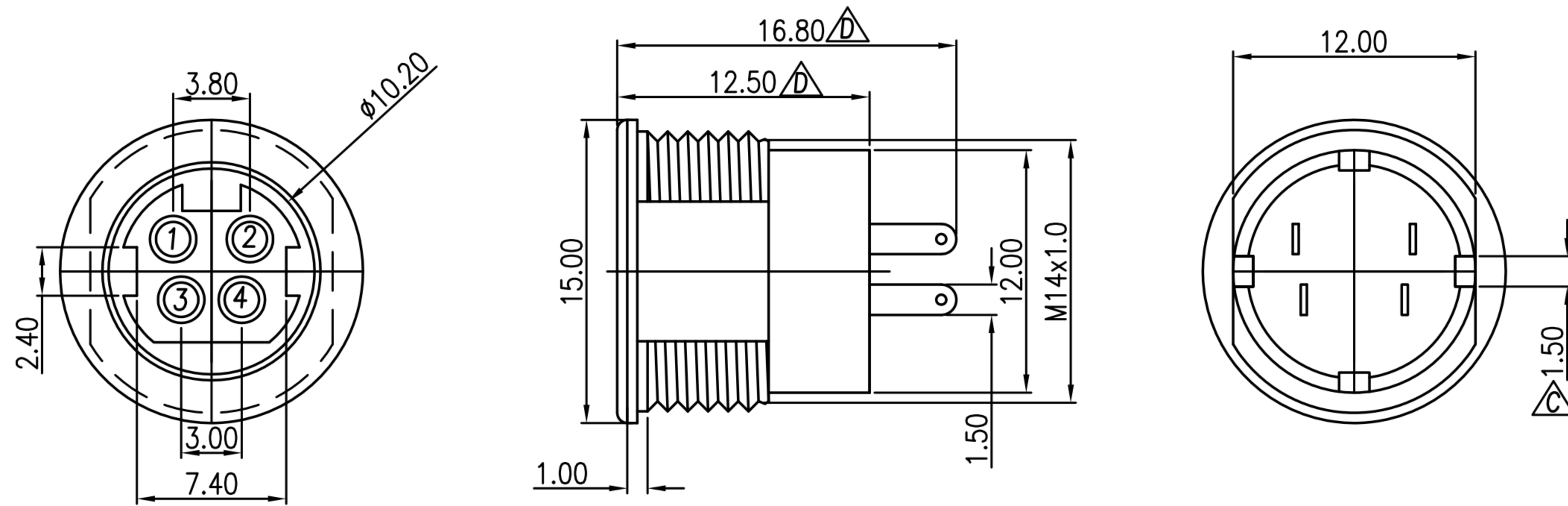
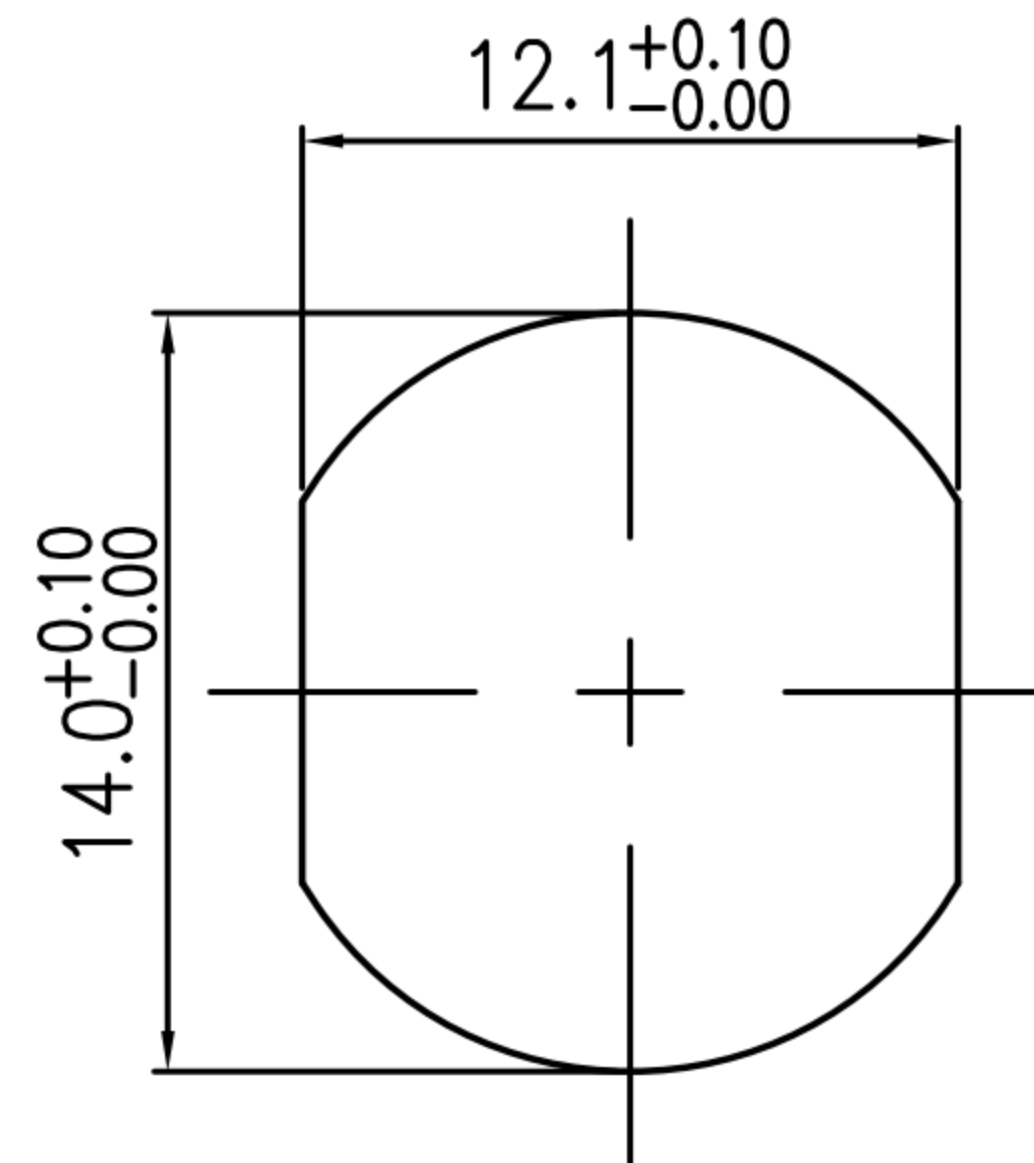
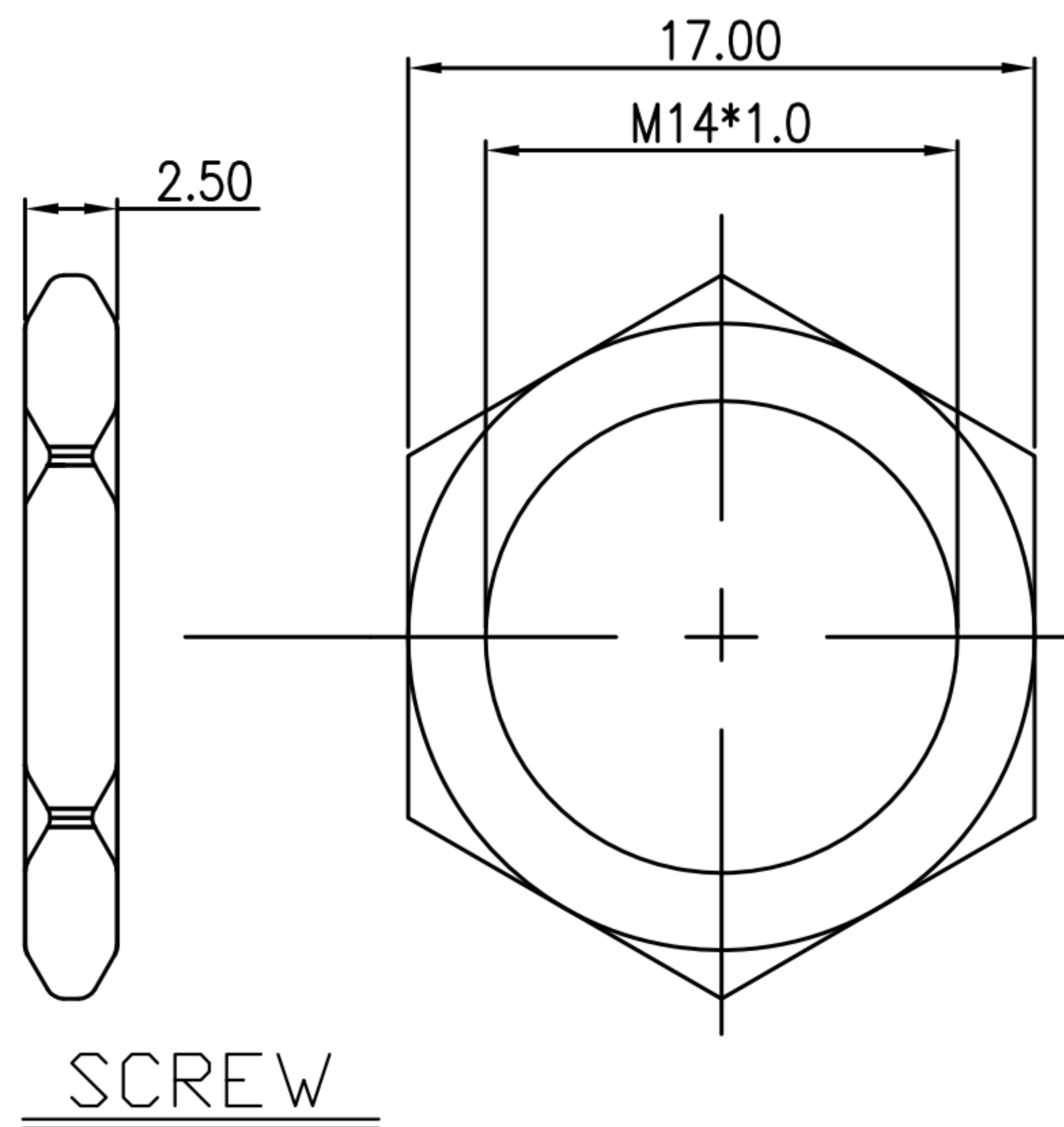


CUSTOMER DRAWING

REV.	DESCRIPTION	APPVL. BY	DATE	ECN NO.
A	Release	Fideo Weng	27/03/09"	ECN09051
B	Change DIM.	Emily Suen	14/09/11"	
C	增加打點	Emily Suen	02/05/12"	ECN12007
D	尺寸變更	Emily Suen	14/02/17"	ECN17001



- MATERIAL :
 - 1-1. HOUSING : PBT UL94V-0 ; COLOR : BLACK
 - 1-2. CONTACT : PHOSPHOR BRONZE
 - 1-3. SHELL : BRASS
 - 1-4. SCREW : BRASS
- FINISH :
 - 2-1. CONTACT : TIN PLATING OVER NICKEL
 - 2-2. SHELL : NICKEL PLATED 60u" ~ 100u" OVER ALL
 - 2-3. SCREW : NICKEL PLATED 60u" ~ 100u" OVER ALL
- ELETRICAL SPECIFICATION :
 - 3-1. RATED CURRENT : 7.5A/DC MAX
 - 3-2. RATED VOLTAGE : 25V/DC MAX
- ENVIRONMENTAL :
 - 4-1. OPERATION TEMPERATURE : -20 °C~85°C



RECOMMENDPANEL CUT-OUT

DRAW	KU	APPVL	Emily Suen	UNIT	mm	TOLERANCE		TITLE	POWER DIN 4P 母座插嘴			SHEET	
CHECK	Emily Suen			SCALE	1:1	.x ±0.20 .xx ±0.10 .xxx ±0.05 .xxxx ±0.01 ANGULA ±1°		广东科斯达电子科技有限公司 GUANG DONG KE SI DA ELECTRONIC TECHNOLOGY CO., LTD.	PART NO.	PD-04F2-04	DWG NO.	QC1734	VERSION D