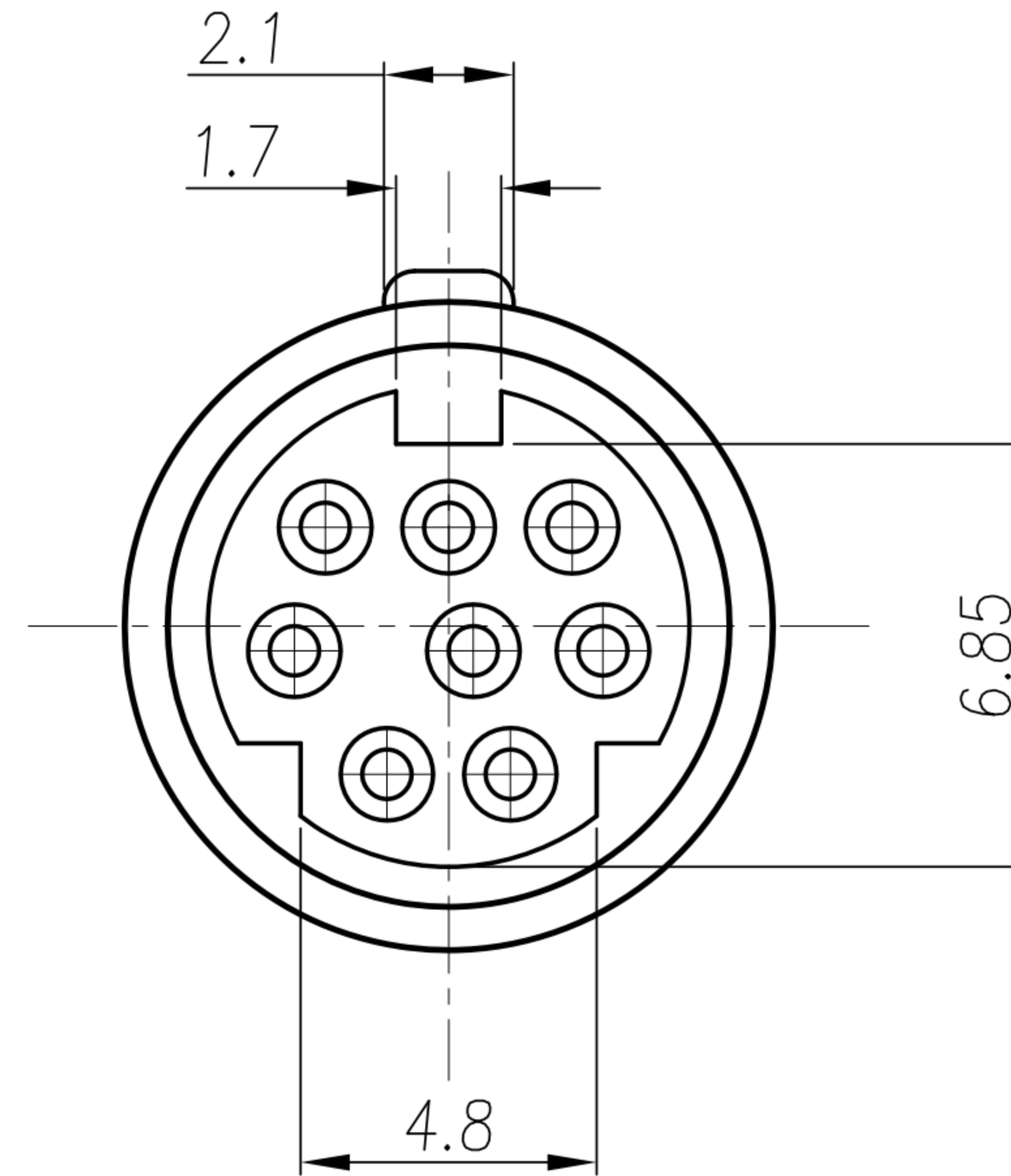
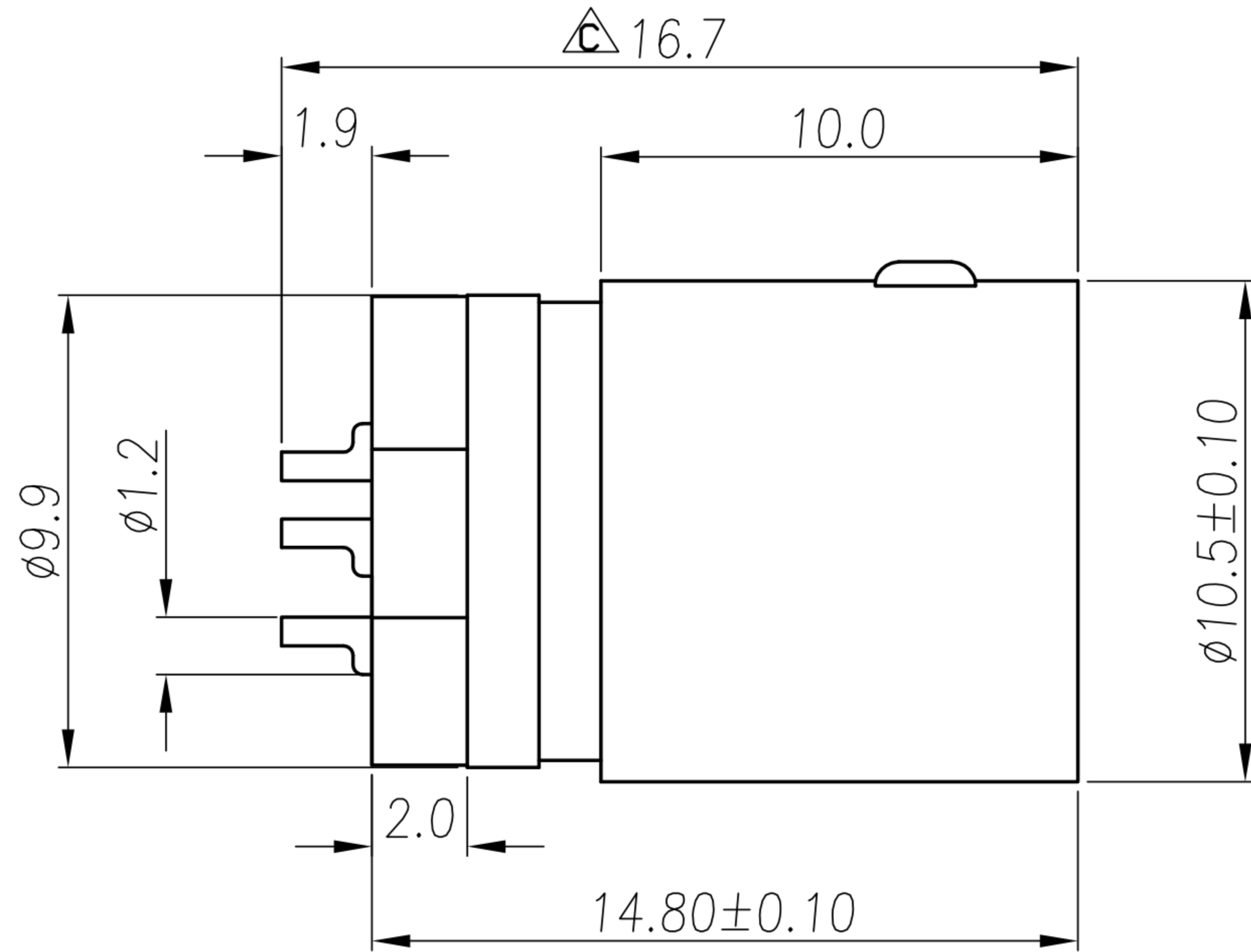
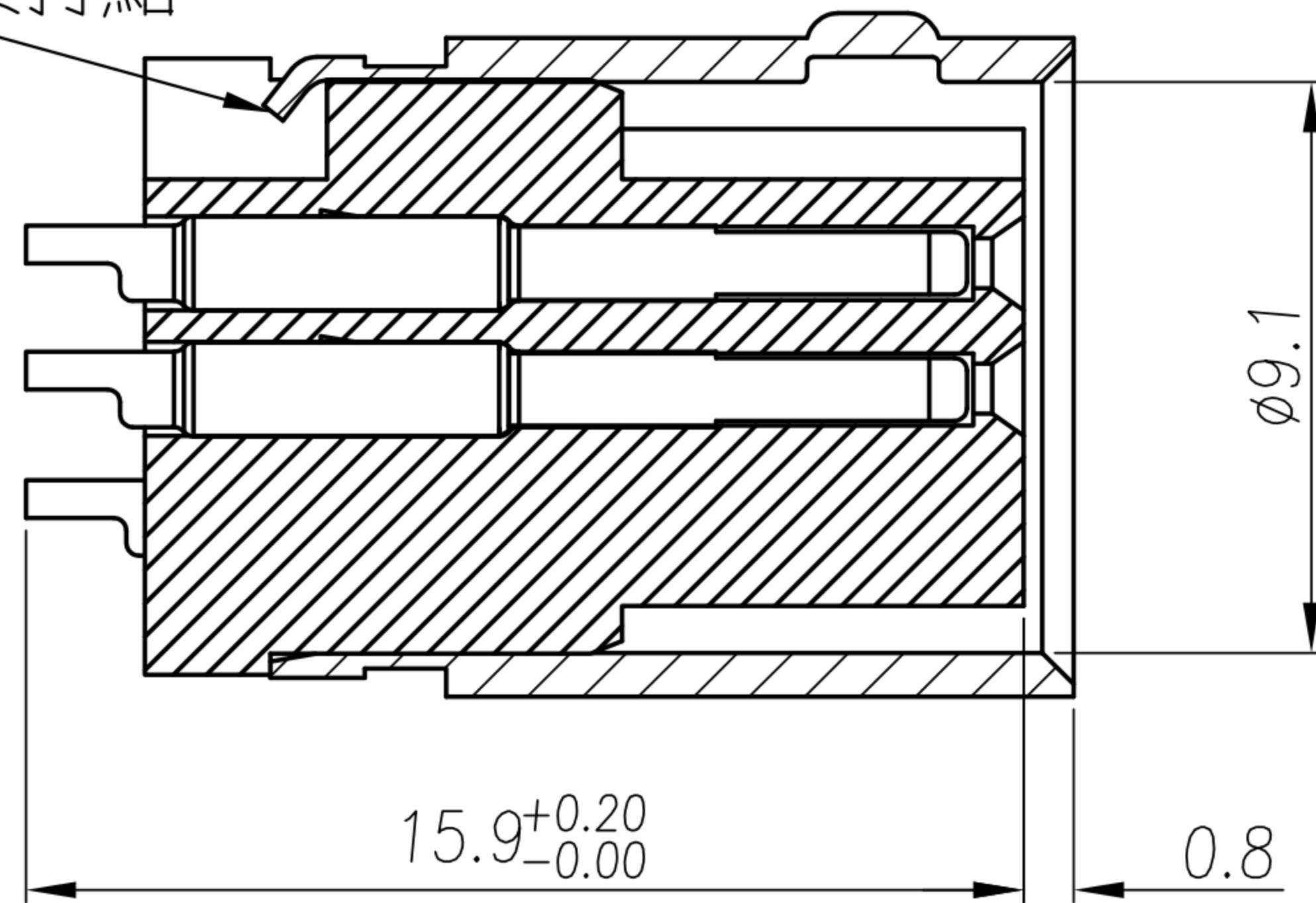


CUSTOMER DRAWING

REV.	DESCRIPTION	APPROVED BY	DATE	ECN NO.
△A	RELEASE	Fido Weng	22/12/08'	
△B	CHANGE CONTACT TYPE	Emily Suen	03/07/12'	ECN12015
△C	修改外觀總長	Fido Weng	21/06/13'	



此處需要打點



- MATERIAL :
 - 1-1. HOUSING : PBT UL94V-0 ; COLOR : BLACK
 - 1-2. CONTACT : PHOSPHOR BRONZE
 - 1-3. SHELL : BRASS
- FINISH :
 - 2-1. CONTACT : SEE TABLE A
UNDER PLATE : NICKEL
 - 2-2. SHELL : NICKEL PLATED OVER ALL

TABLE A

P/N	FINISH
MD-08F1-10	GOLD FLASH PLATED
MD-08F1-06	SILVER PLATED

DRAWN	Ku Chou	APPEND	Emily Suen	UNIT	mm	TOLERANCE		广东科斯达电子科技有限公司 GUANG DONG KE SI DA ELECTRONIC TECHNOLOGY CO., LTD.	TITLE	MiniDin 8(F) 0.7厚 無彈片 系列			SHEET	VERSION C
CHKED	Emily Suen			SCALE	1:1	.x ±0.20 .xx ±0.10 .xxx ±0.05 .xxxx ±0.03 ANGULA ±1°			PART NO.	SEE TABLE A	DWG NO.	QC0155		