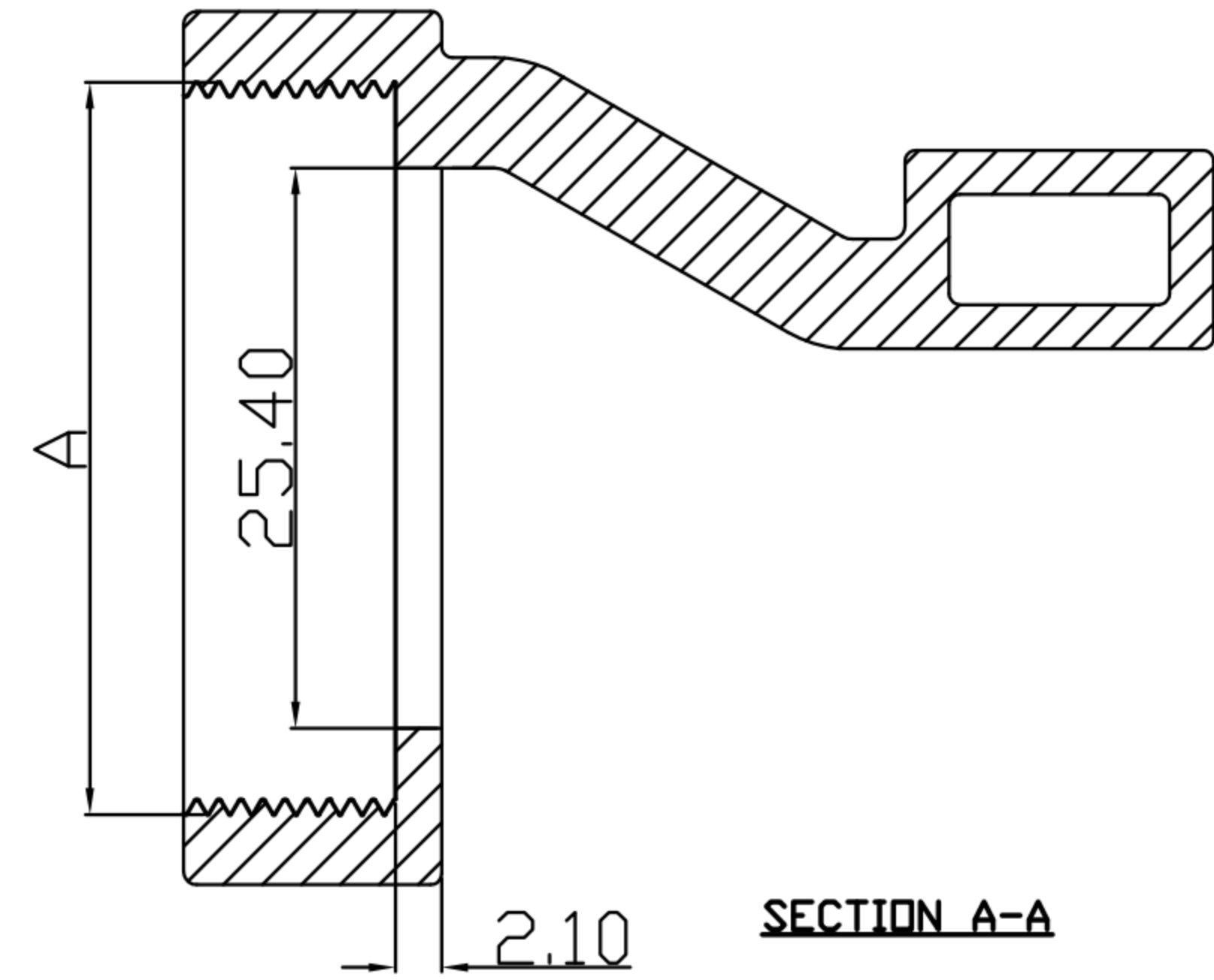
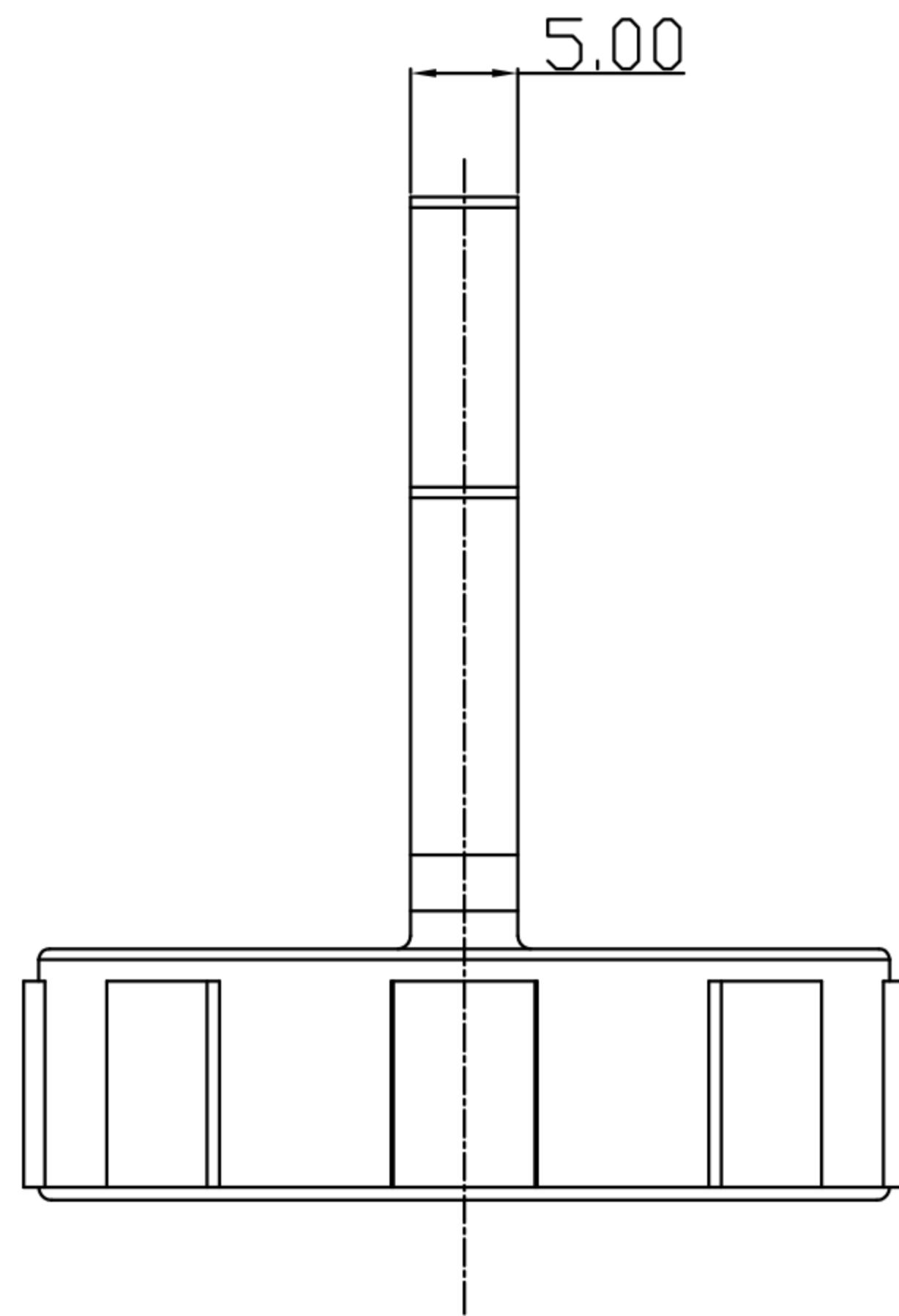


CUSTOMER DRAWING

REV.	DESCRIPTION	APPROVED BY	DATE	ECN NO.
A	RELEASE	Fido Weng	13/02/09*	
B				
C				



MATERIAL :  
 1-1. BACK COVER : PA66  
 COLOR : SEE TABLE A

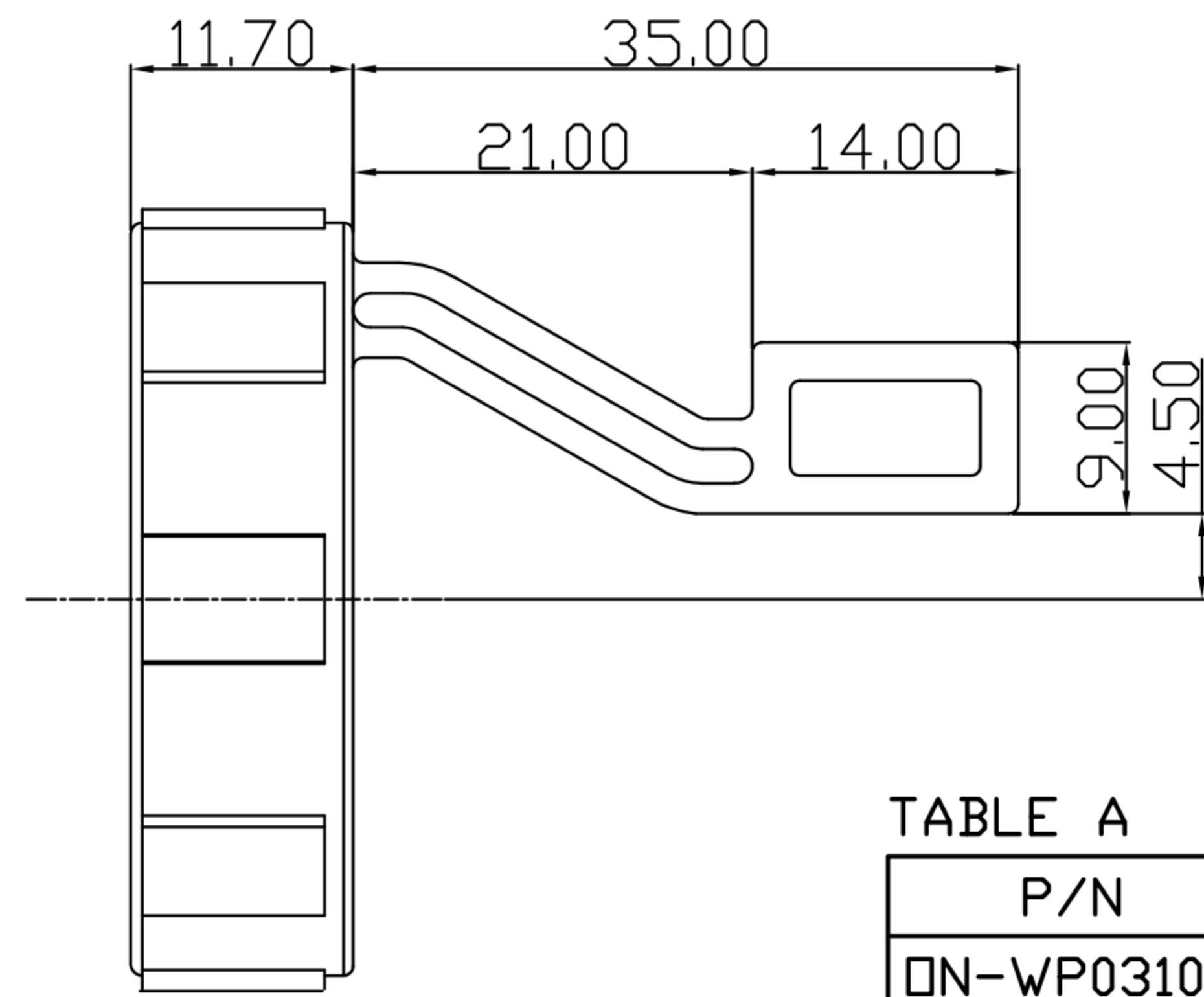
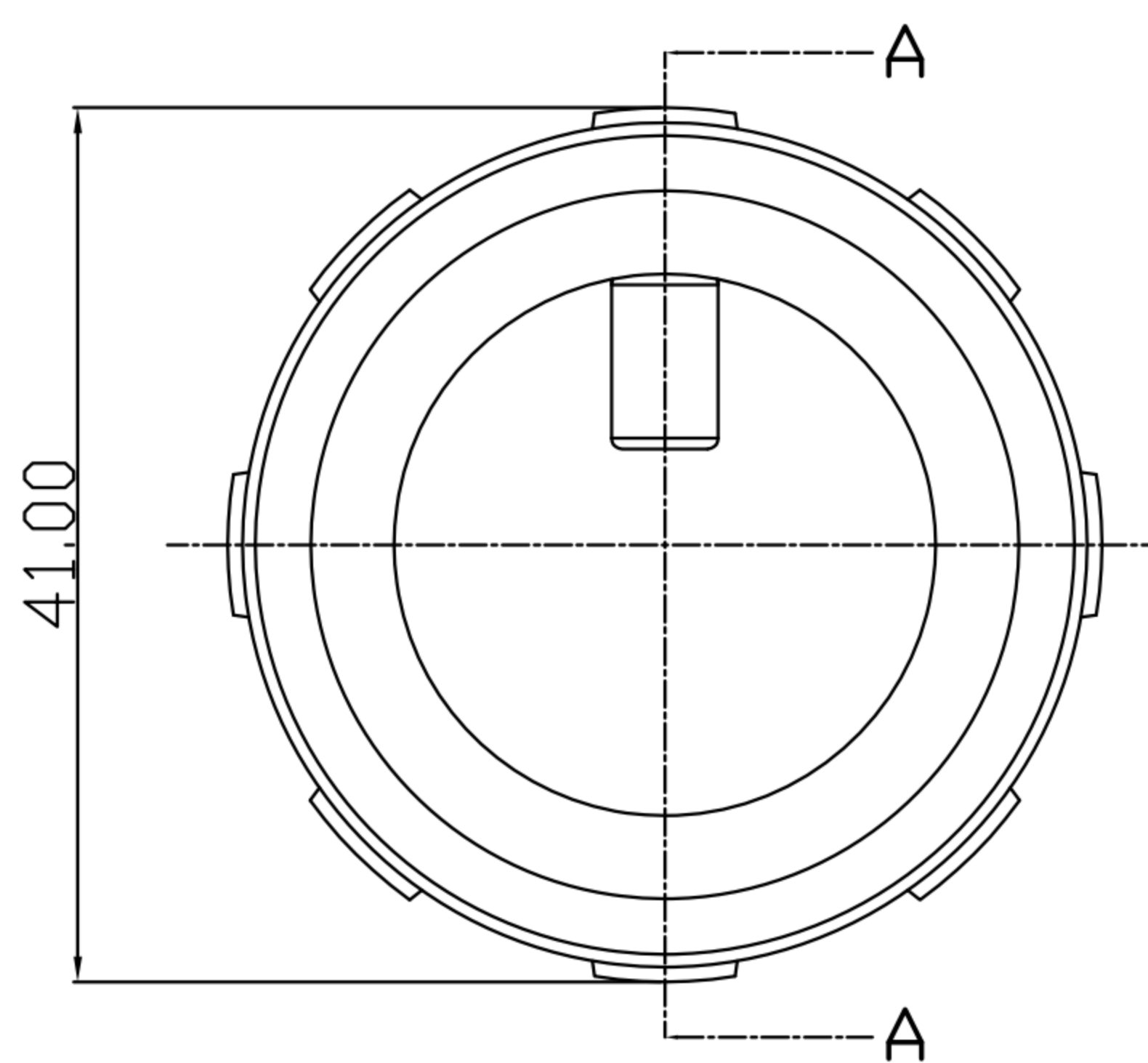


TABLE A

P/N	COLOR	DIM. A
0N-WP0310	黑色	1.375-18UN
0N-WP0309	灰色	1.315-18UN

DRAWN	Yeh Chou	APP'D	Ku Chou	UNIT	mm	TOLERANCE		广东科斯达电子科技有限公司 GUANG DONG KE SI DA ELECTRONIC TECHNOLOGY CO., LTD.	TITLE	SEE TABLE A			SHEET	
CHK'D	Emily Suen			SCALE	1:1	.x ±0.10 .xx ±0.05 .xxx ±0.03 .xxx ±0.01 ANGULA ±1°			PART NO.	SEE TABLE A	DWG NO.	QC5308	VERSION	