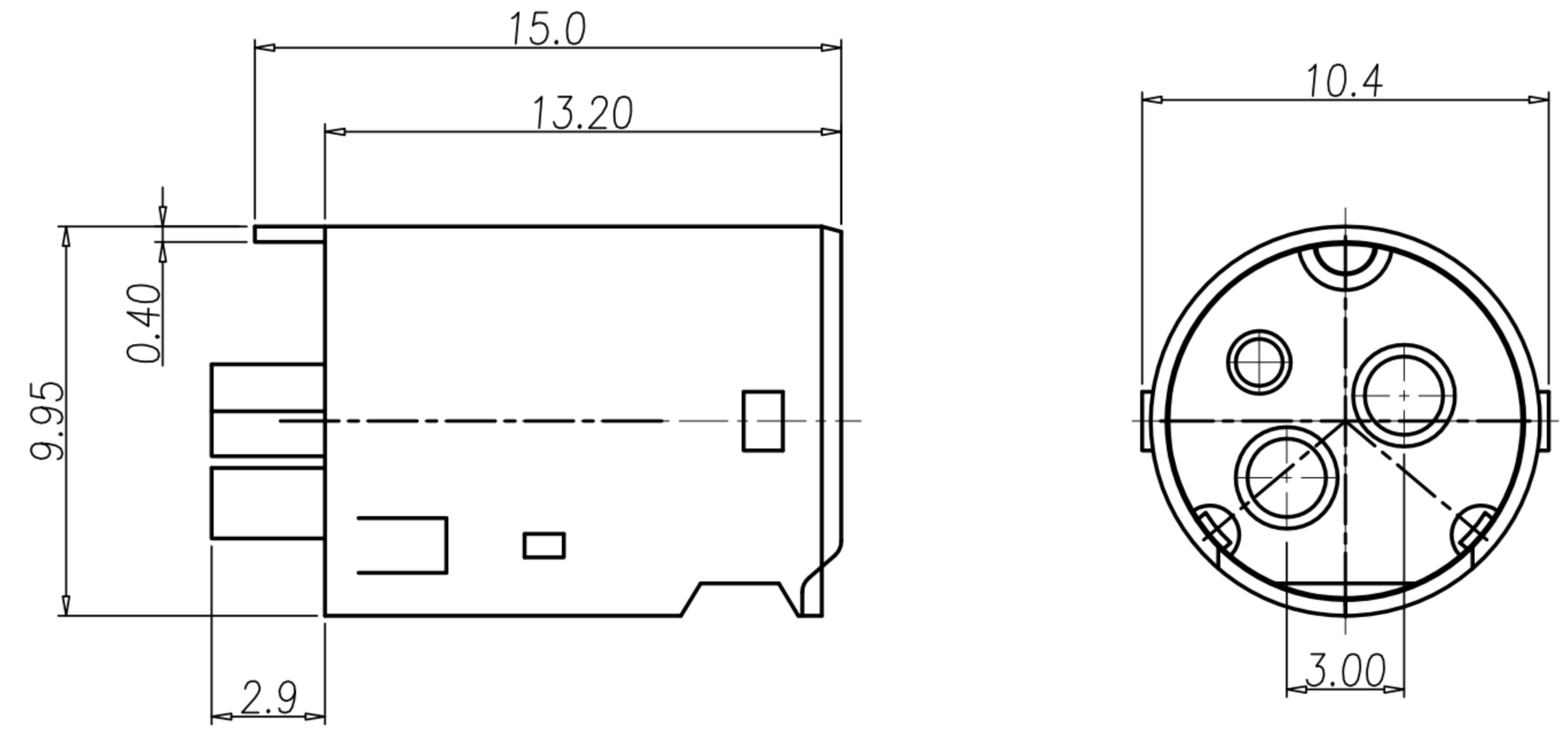
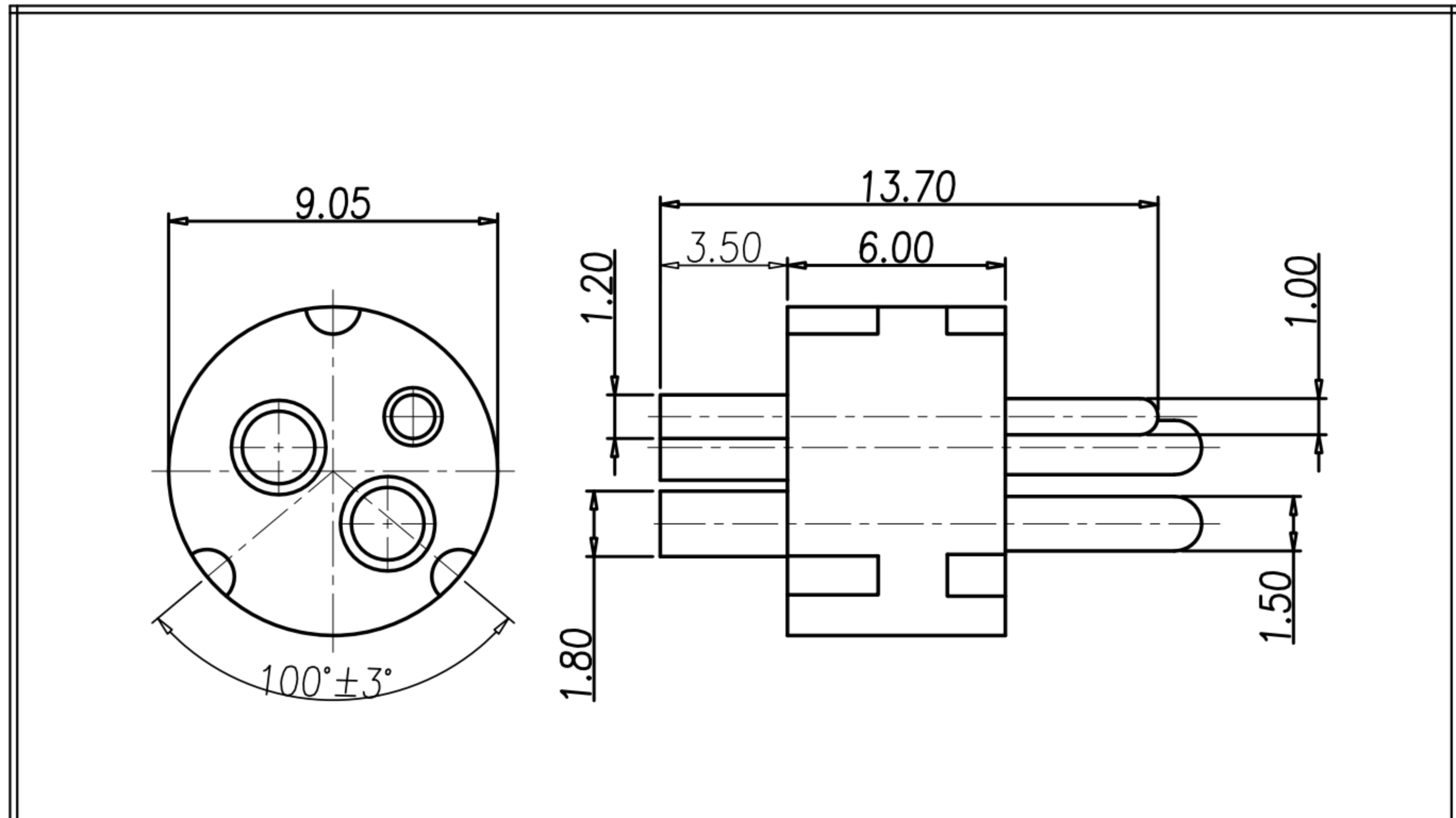
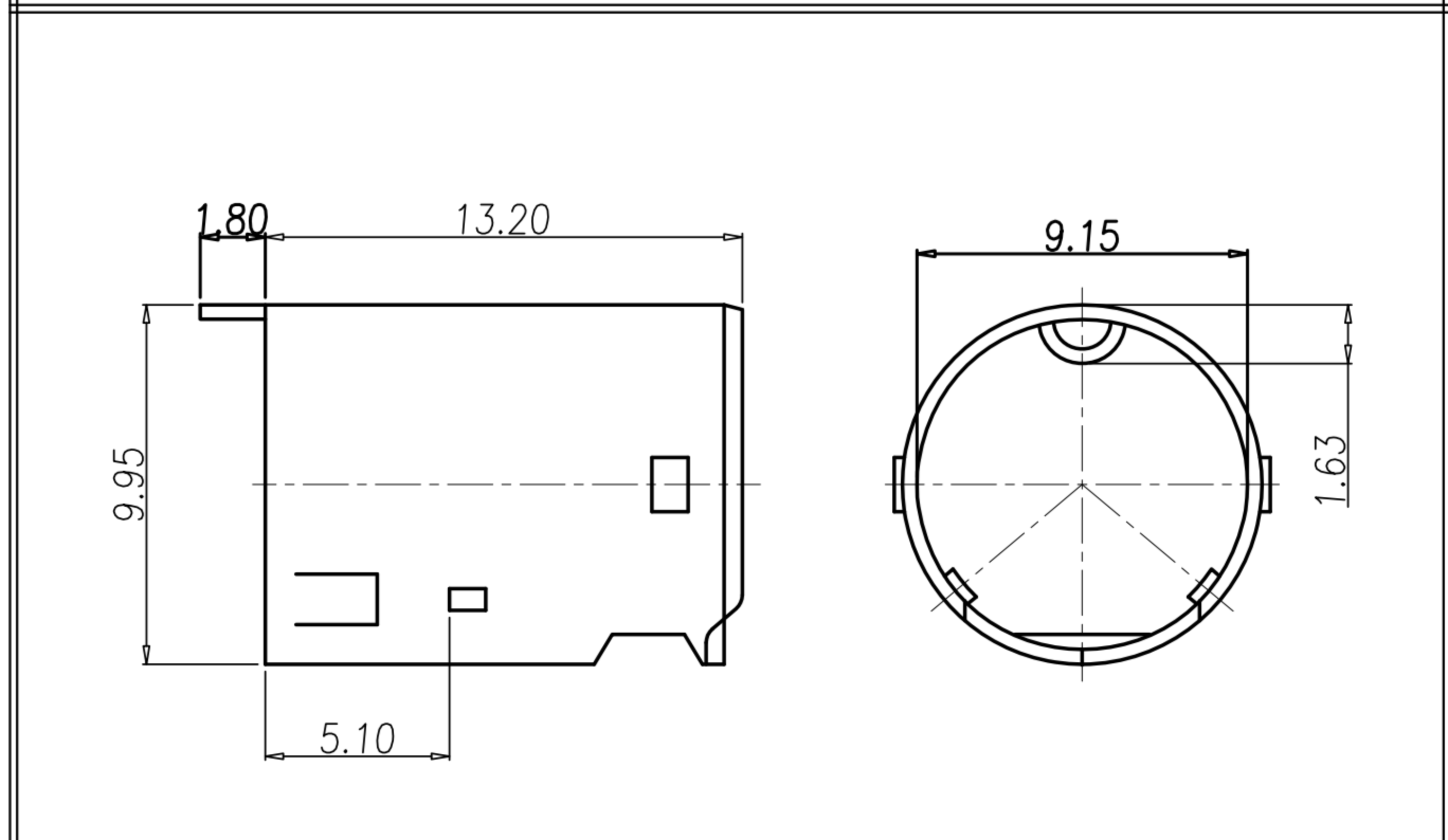


CUSTOMER DRAWING

REV.	DESCRIPTION	APPROVED BY	DATE	ECN NO.
A	RELEASE	Fido Weng	14/04/09*	
B				
C				



NY-DM099(HOUSING&PIN)



OY-DM0031(SHELL)

1. MATERIAL :
 - 1-1. HOUSING : PBT UL94V-0 ; COLOR : BLACK
 - 1-2. CONTACT : BRASS
 - 1-3. SHELL : BRASS
2. FINISH :
 - 2-1. CONTACT : 50 MICRO INCHES MIN. SILVER PLATED
UNDER PLATE : NICKEL
 - 2-2. SHELL : NICKEL PLATED 50u" OVER ALL
3. ELECTRICAL SPECIFICATION :
 - 3-1. Rated current : 7.5A
 - 3-2. Rated voltage : 25V
4. Environmental :
 - 4-1. Operation Temperature : -20℃~85℃

DRAWN	Mark Kao	APPEND	Ku Chou	UNIT	mm	TOLERANCE		广东科斯达电子科技有限公司 GUANG DONG KE SI DA ELECTRONIC TECHNOLOGY CO., LTD.	TITLE	POWER DIN 3PIN(M) MOLDING TYPE			SHEET
CHOKED	Emily Suen			SCALE	1:1	.x ±0.20 .xx ±0.10 .xxx ±0.05 .xxxx ±0.03 ANGULA ±1°			PART NO.	PD-03M2-21	DWG NO.	QC2039	VERSION