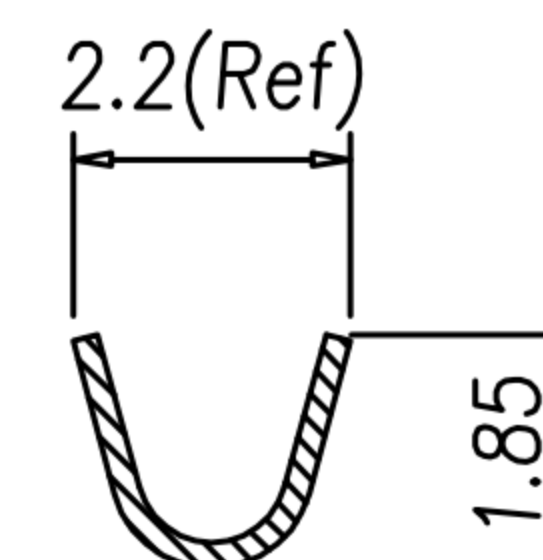
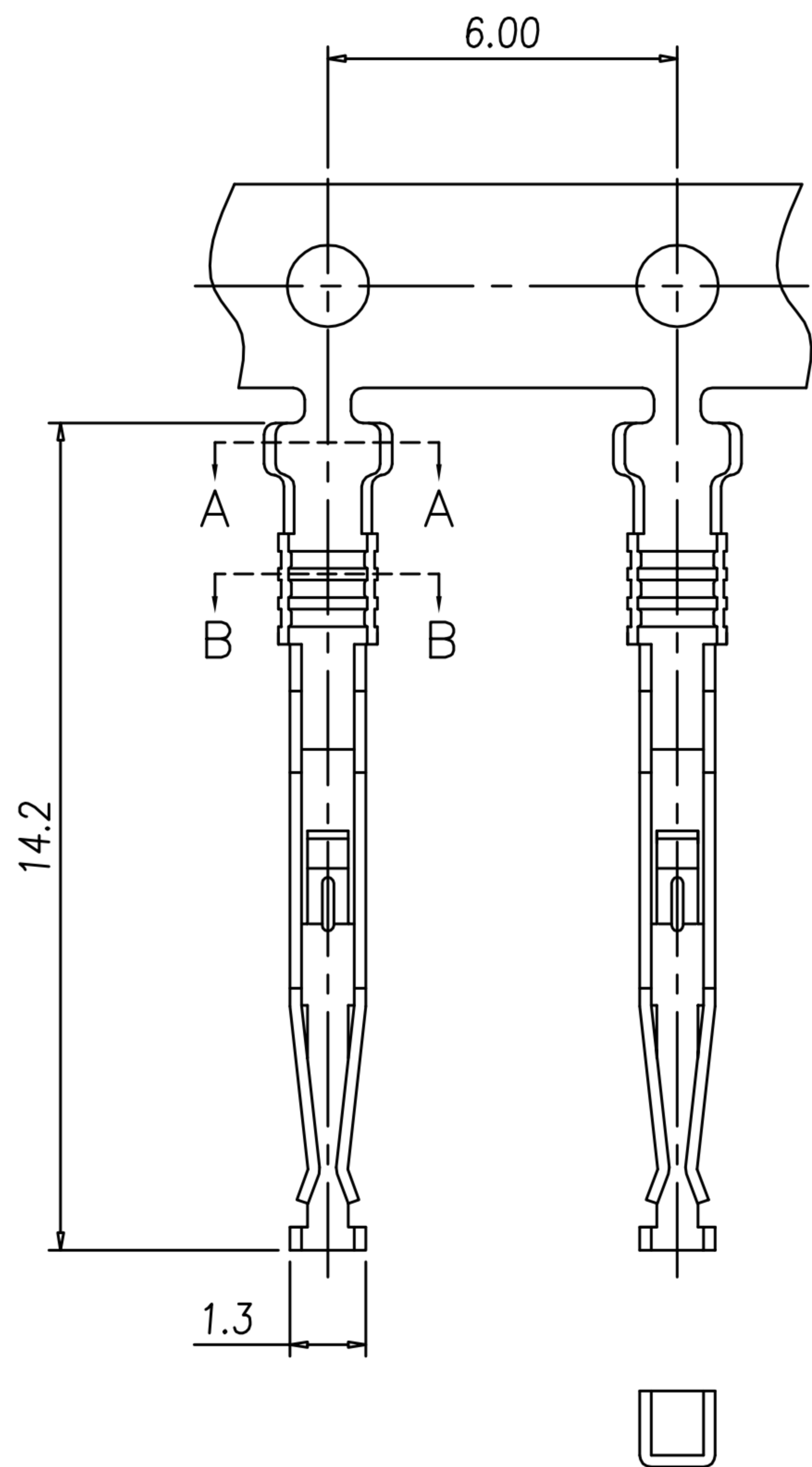
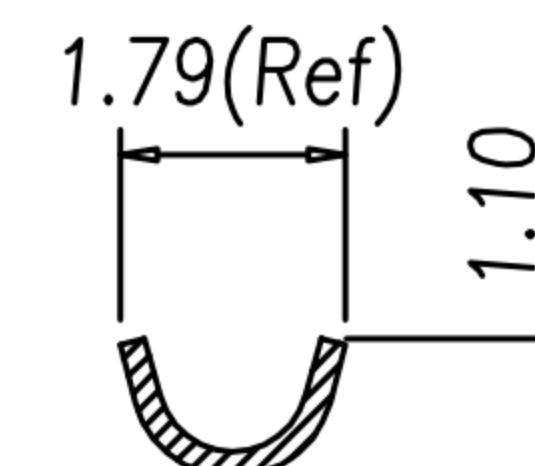


CUSTOMER DRAWING

REV.	DESCRIPTION	APPROVED BY	DATE	ECN NO.
A	RELEASE	Yeh	20/07/20"	
B				
C				



SECTION A-A



SECTION B-B

NOTE:

- MATERIAL : PHOSPHOR BRONZE / 磷青銅
- FINISH : SEE TABLE A  
UNDER PLATE : NICKEL PLATED 60u" ~ 100u" OVER ALL

TABLE A / 表A

OY-DM0835-10	GOLD FLASH PLATED / 鍍表金
OY-DM0819-10	BRIGHT TIN 60u" PLATED / 鍍亮錫60u"

DRAWN	Yeh Chou	APP'D	Emily Suen	UNIT	mm	TOLERANCE		TITLE	MINI DIN (F) 雙耳鎖板式 CRIMP PIN			SHEET
CHK'D	Emily Suen			SCALE	1:1	.x ±0.10 .xx ±0.05 .xxx ±0.03 .xxxx ±0.01 ANGULA ±1°		PART NO.	SEE TABLE A	DWG NO.	QC9513	VERSION A

