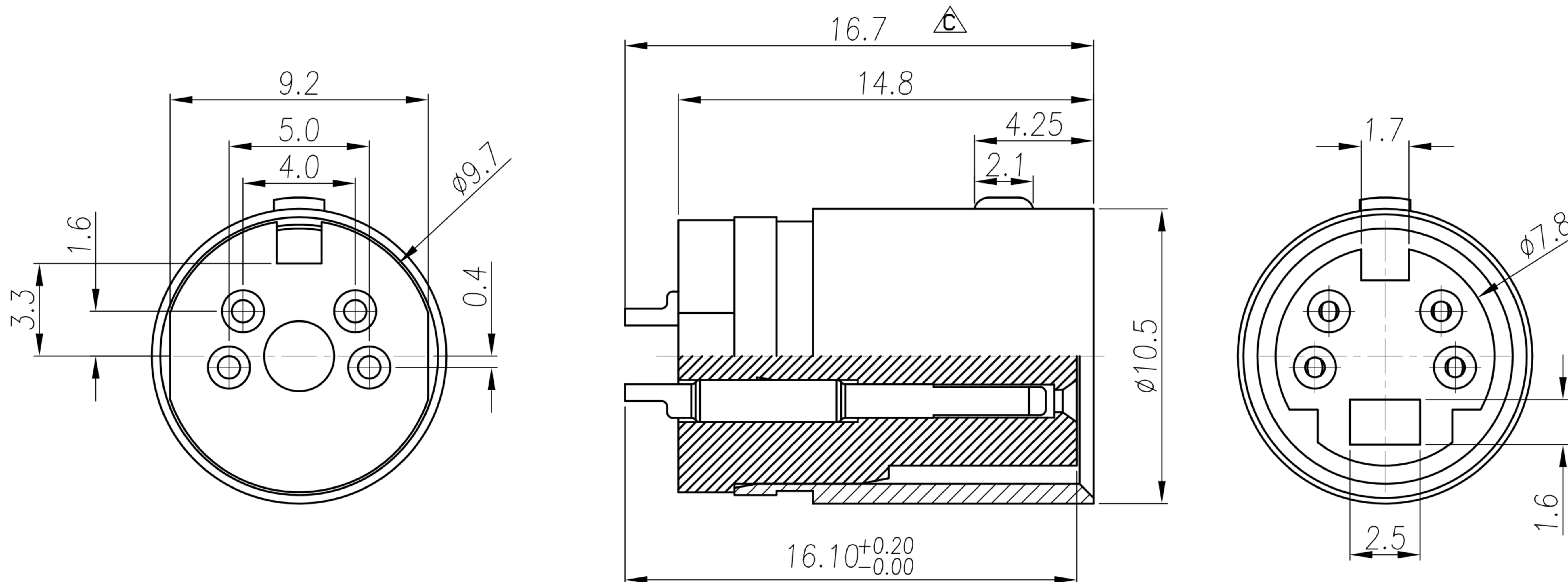


CUSTOMER DRAWING

REV.	DESCRIPTION	APPROVED BY	DATE	ECN NO.
△A	RELEASE	Fido Weng	22/12/08'	ECN10134
△B	設變端子焊杯 & 膠心溝槽	Fido Weng	29/12/12'	
△C	修改外觀總長	Fido Weng	21/06/13'	



1. MATERIAL :
 - 1-1. HOUSING : PBT UL94V-0 ; COLOR : BLACK
 - 1-2. CONTACT : PHOSPHOR BRONZE
 - 1-3. SHELL : BRASS
2. FINISH :
 - 2-1. CONTACT : SEE TABLE A
UNDER PLATE : NICKEL
 - 2-2. SHELL : NICKEL PLATED OVER ALL

TABLE A

MD-04F1-09	GOLD FLASH
MD-04F1-03	SILVER
P/N	CONTACT PLATING

DRAWN	Jen Xie	APP'D	Fido Weng	UNIT	mm	TOLERANCE		广东科斯达电子科技有限公司 GUANG DONG KE SI DA ELECTRONIC TECHNOLOGY CO., LTD.	TITLE	MiniDin 4(F) 凸0.7厚 無彈片			SHEET	
CHK'D	Emily Suen	SCALE	1:1	ANGULA	±1°	PART NO.			SEE TABLE A	DWG NO.	QC0151	VERSION	C	