

CUSTOMER DRAWING

REV.	DESCRIPTION	APPROVED BY	DATE	ECN NO.
A	RELEASE	EMILY SUEN	03/01/11'	
B				
C				

1. MATERIAL :

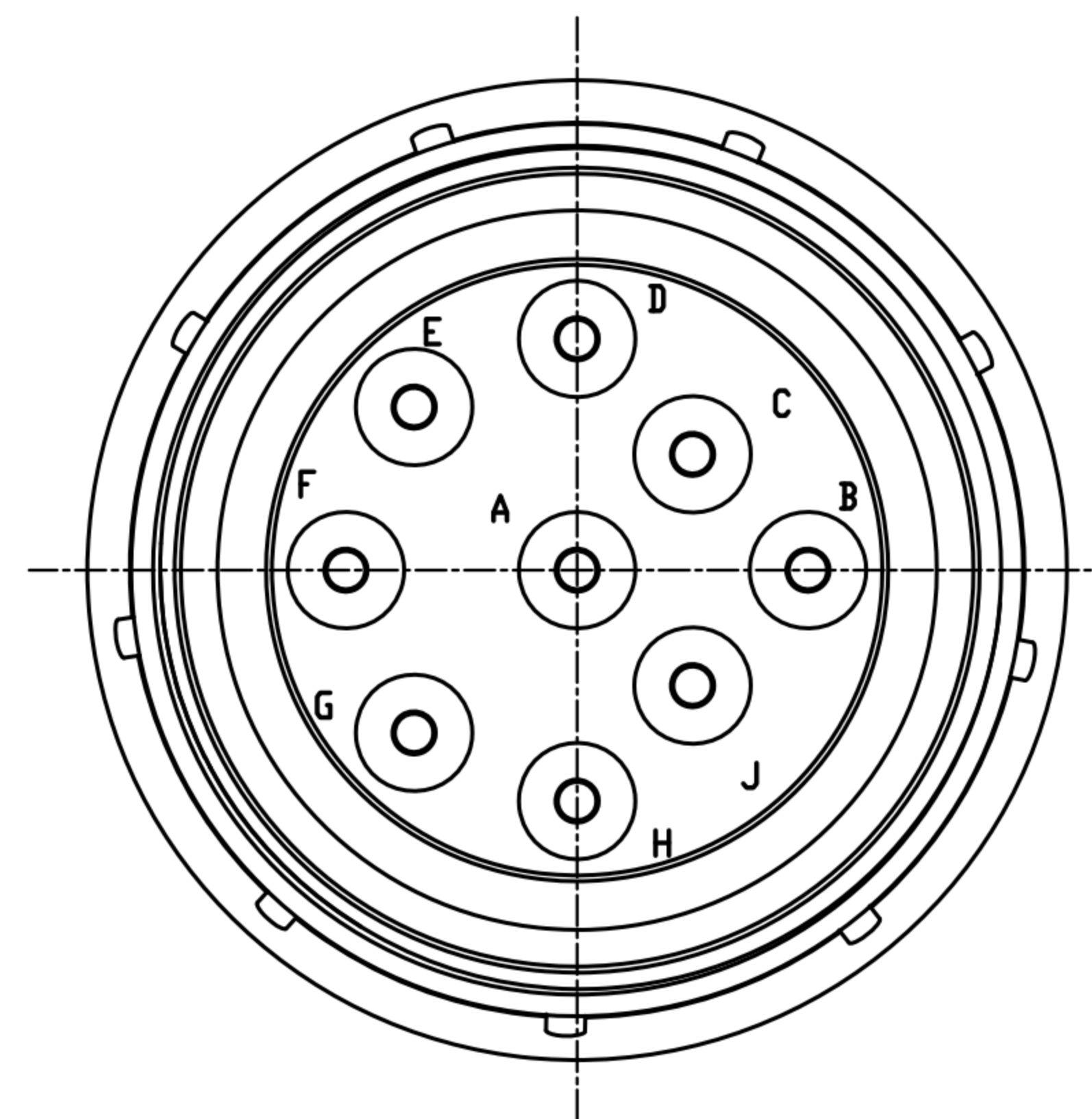
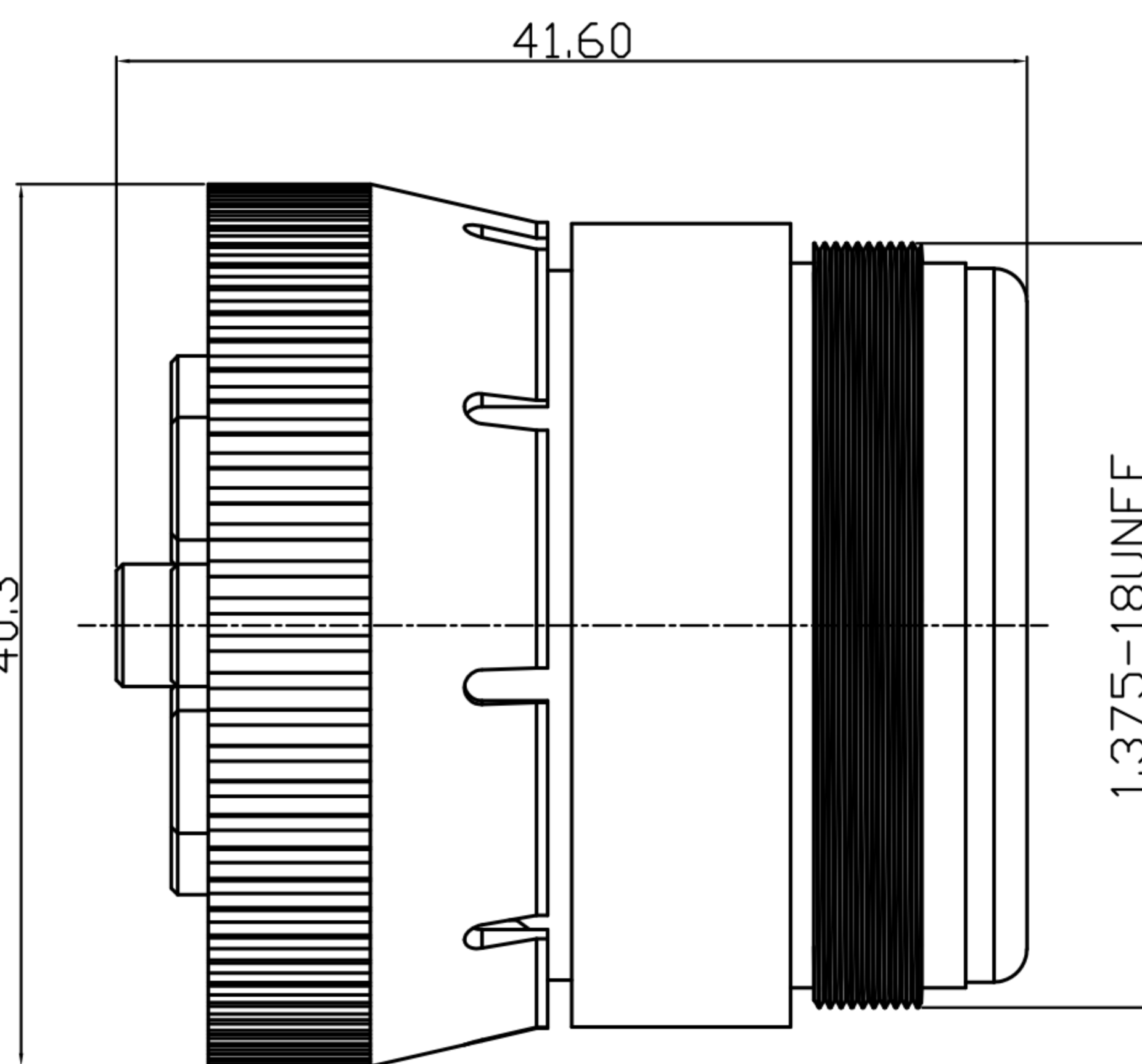
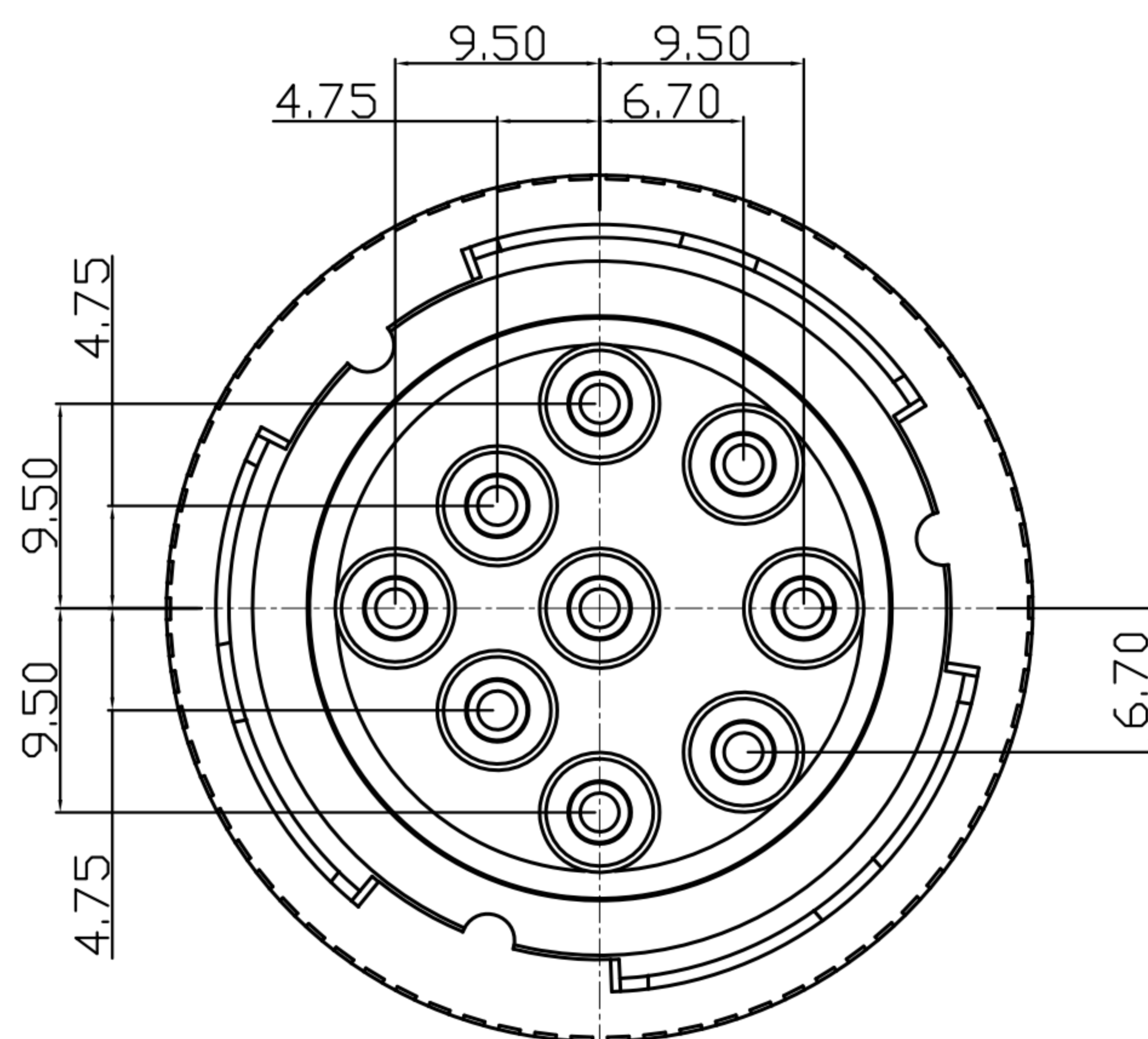
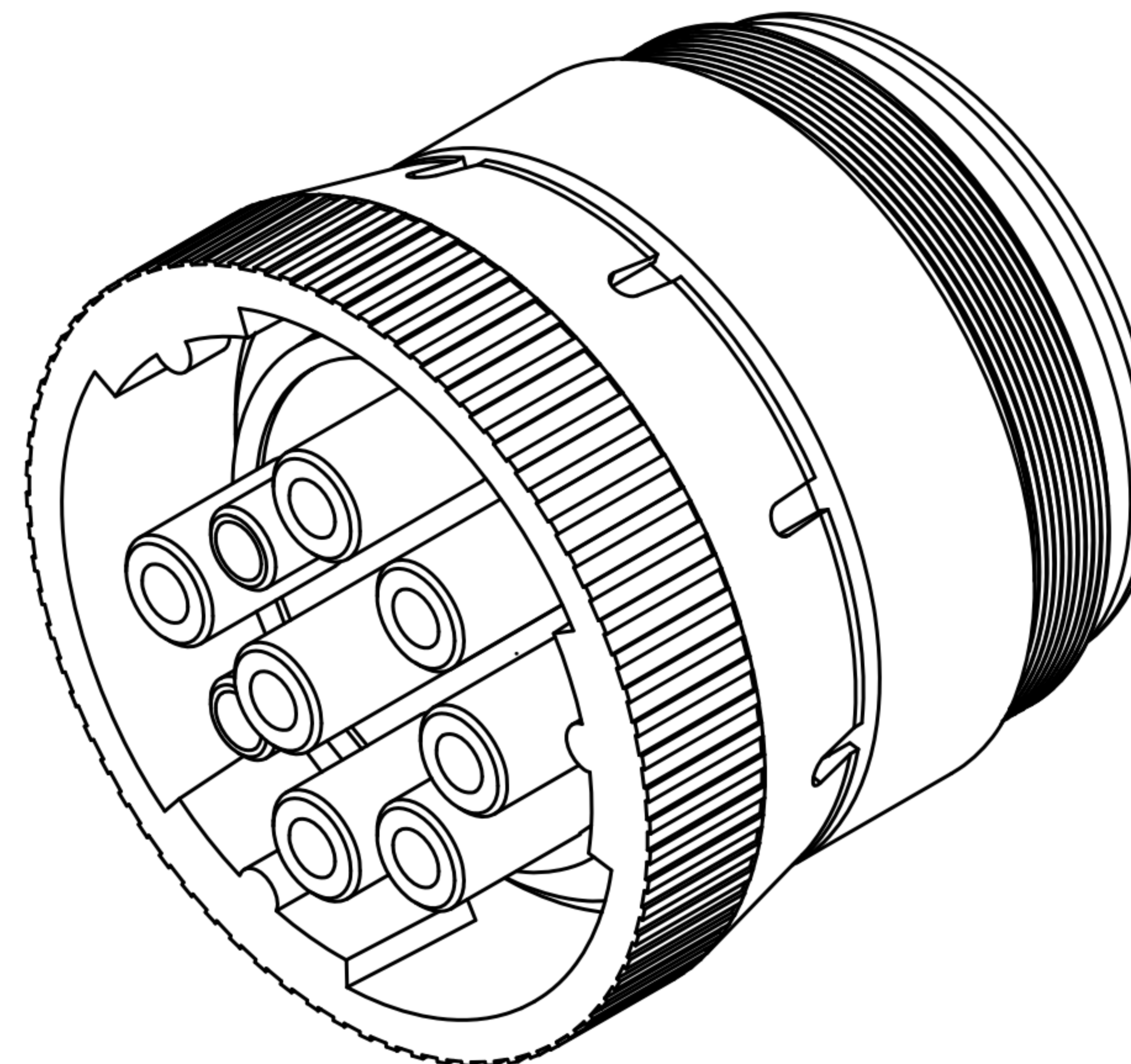
- 1-1. INSULATOR : PA66 ; COLOR : GARY
- 1-2. HOUSING : PA66 ; COLOR : BLACK
- 1-3. REAR COVER : PA66 ; COLOR : GRAY
- 1-4. COUPLING RING : PA66 ; COLOR : GRAY
- 1-5. RUBBER : SILICONE ; COLOR : ORANGE
- 1-6. O-RING : SILICONE ; COLOR : ORANGE

2. ELECTRICAL SPECIFICATION :

- 2-1. Rated current : 13A
- 2-2. Rated Voltage : 500V
- 2-3. Water proof : IP67

3. Environmental :

- 3-1. Operation Temperature : -40°~105°



DRAWN	Yeh Chou	APP'D	Ku Chou	UNIT	mm	TOLERANCE		广东科斯达电子科技有限公司 GUANG DONG KE SI DA ELECTRONIC TECHNOLOGY CO., LTD.	TITLE	防水9PIN(M)(1.375-18UNEF)(灰色)			SHEET	VERSION A
CHK'D	Yeh Chou			SCALE	1:1	.x ±0.20 .xx ±0.15 .xxx ±0.10 .xxxx ±0.05 ANGULA ±1°			PART NO.	WP-09M2-09-11	DWG NO.	QC7808		