

CUSTOMER DRAWING

REV.	DESCRIPTION	APPROVED BY	DATE	ECN NO.
I	CHANGE DIM	Fido Weng	12/12/08"	ECN08022
J	ADD NEW PART NO.	Fido Weng	19/03/09"	
K	ADD NEW PART NO.	Fido Weng	22/04/09"	ECN11010

步驟一:

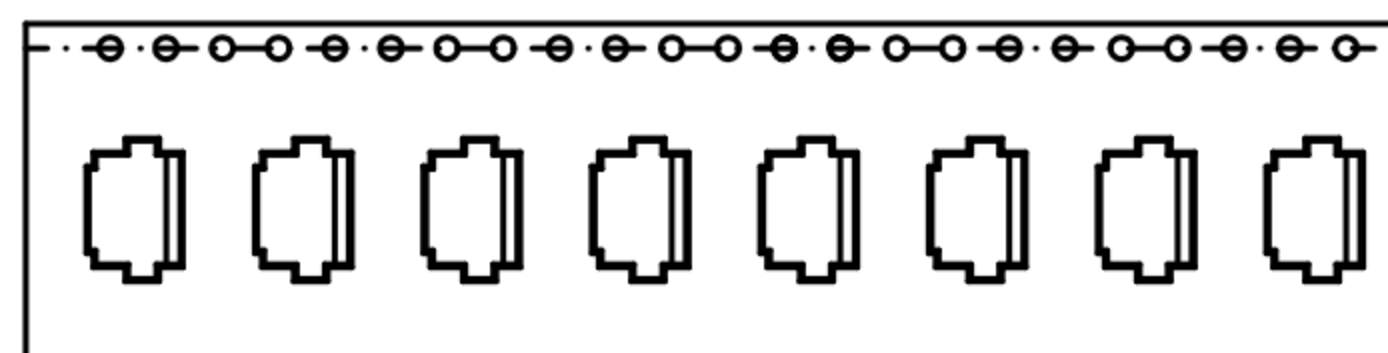
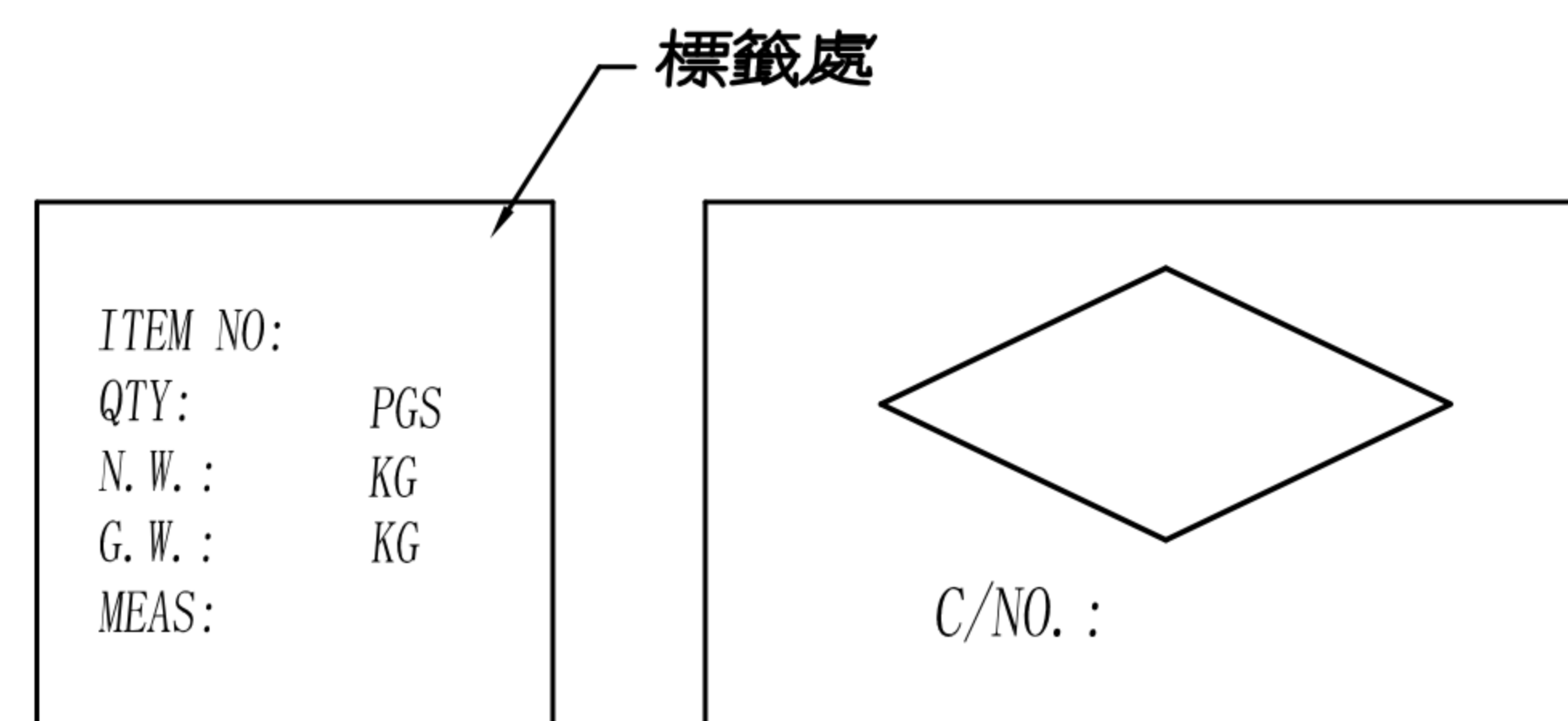
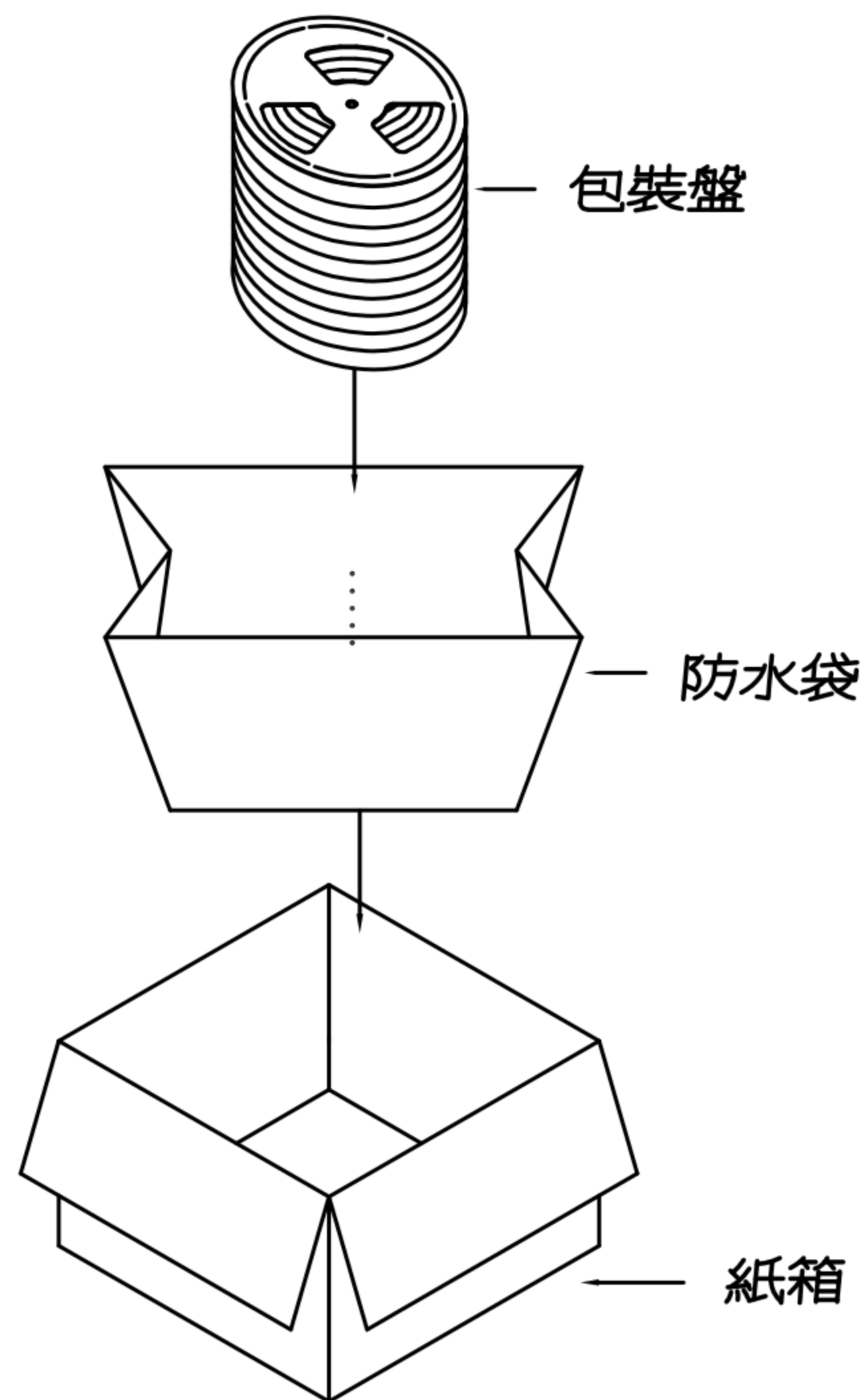
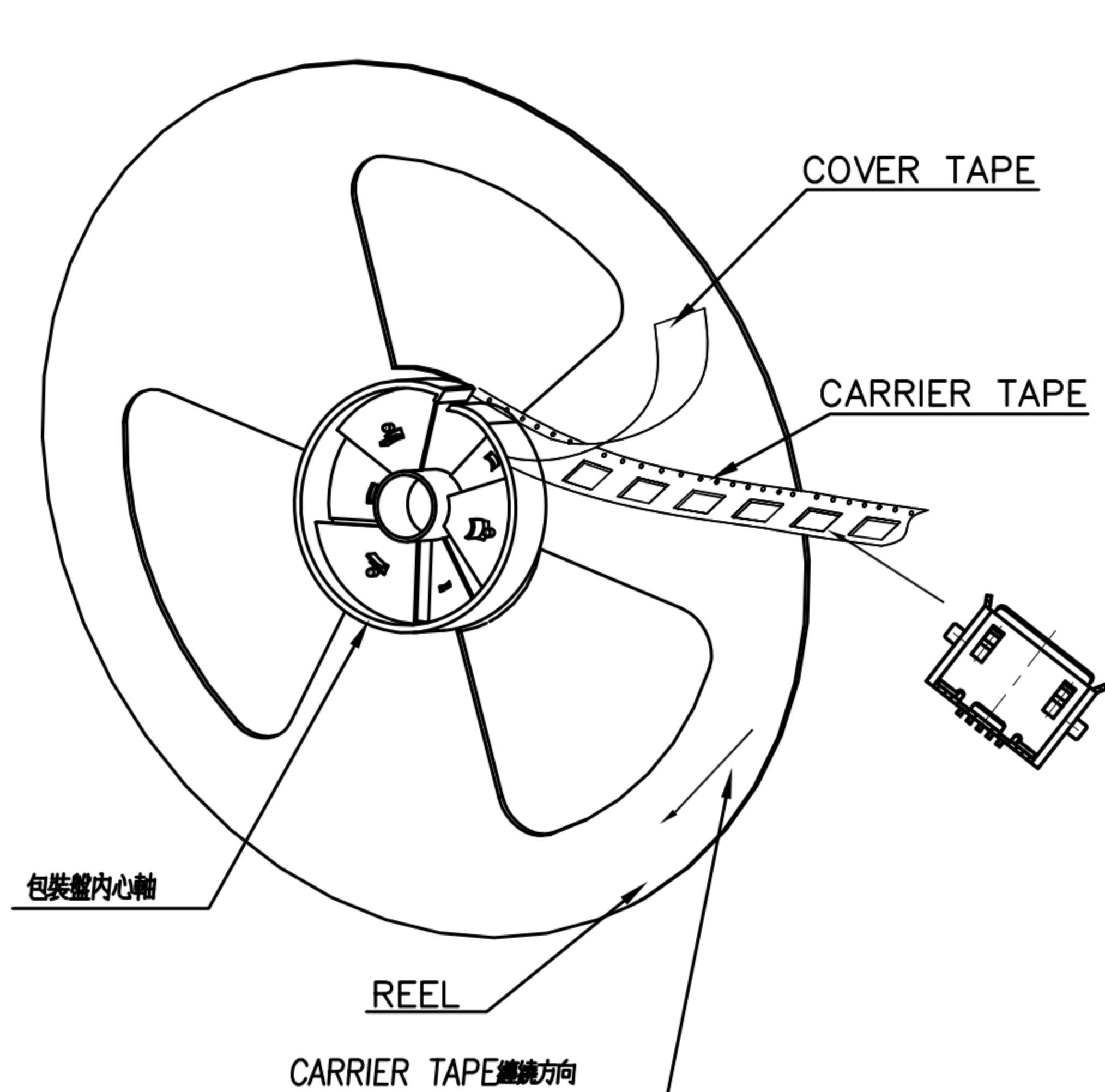
1. 將成品一一放入包裝盤內, 依同一方向置入.
2. 包裝方式, 如圖所示.
3. 一個包裝盤內放1500pcs.

步驟二:

1. 一個紙箱可以裝10個包裝盤.
2. 每盤1500pcs, 每箱15000pcs.
3. 將包裝盤放入防水袋中, 包裝完後再封箱.

步驟三:

1. 用膠帶將紙箱封實.
2. 將標籤貼於紙箱上.



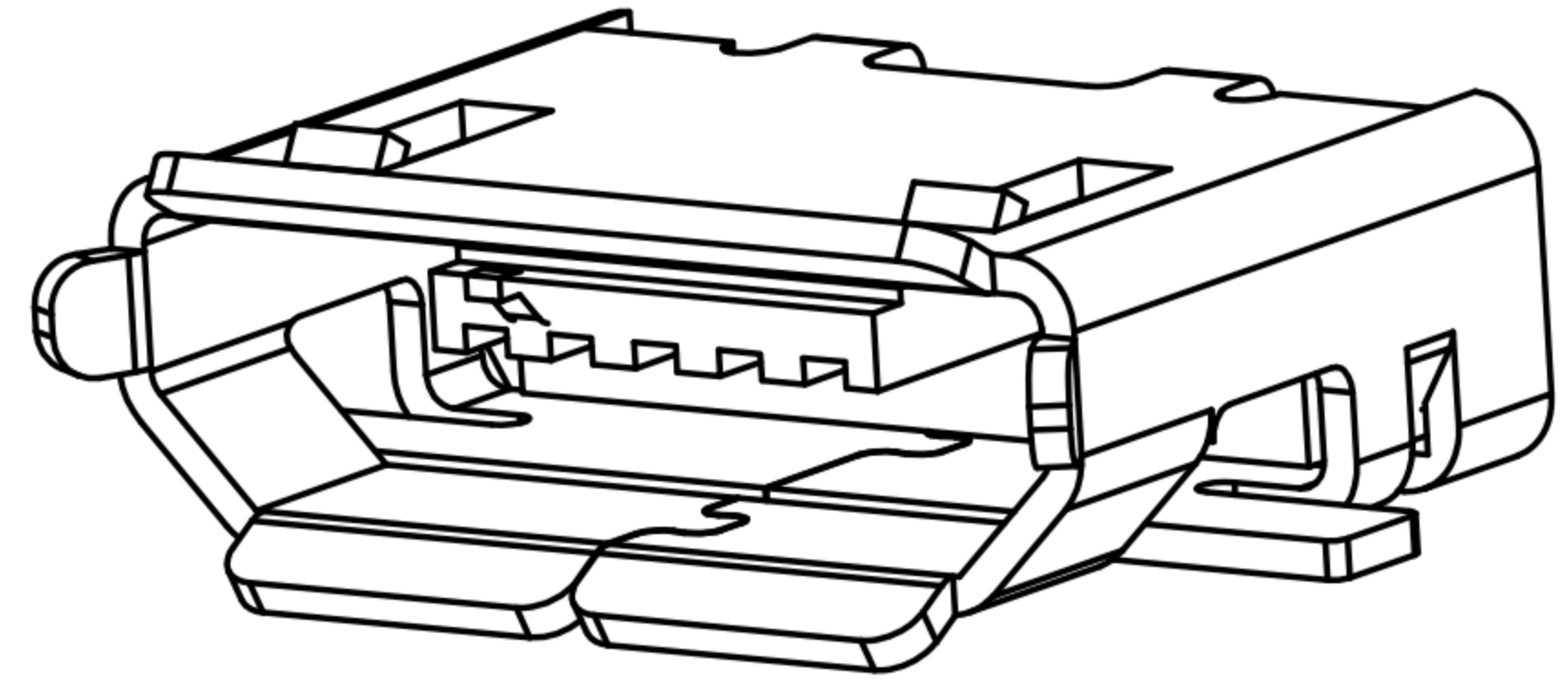
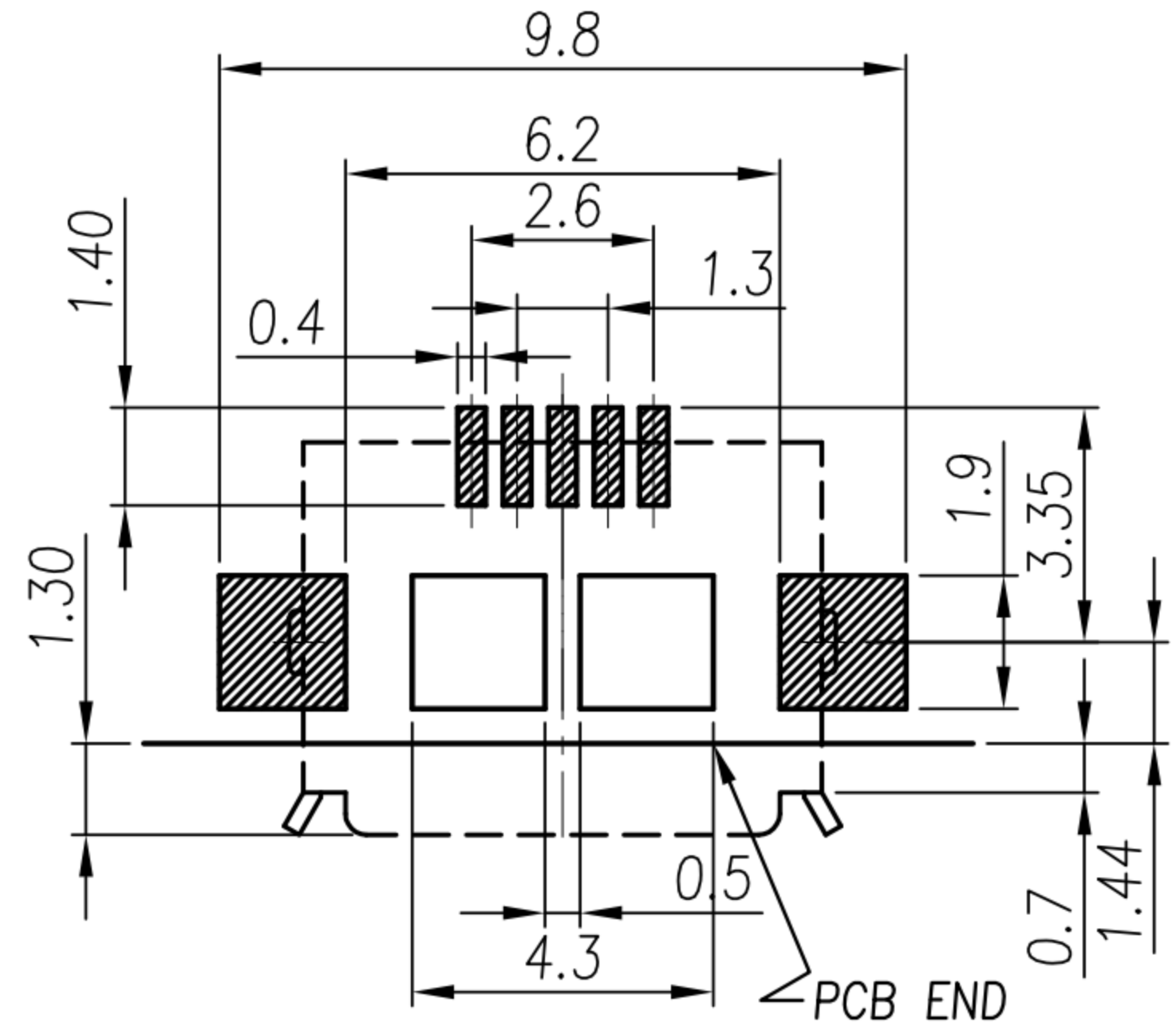
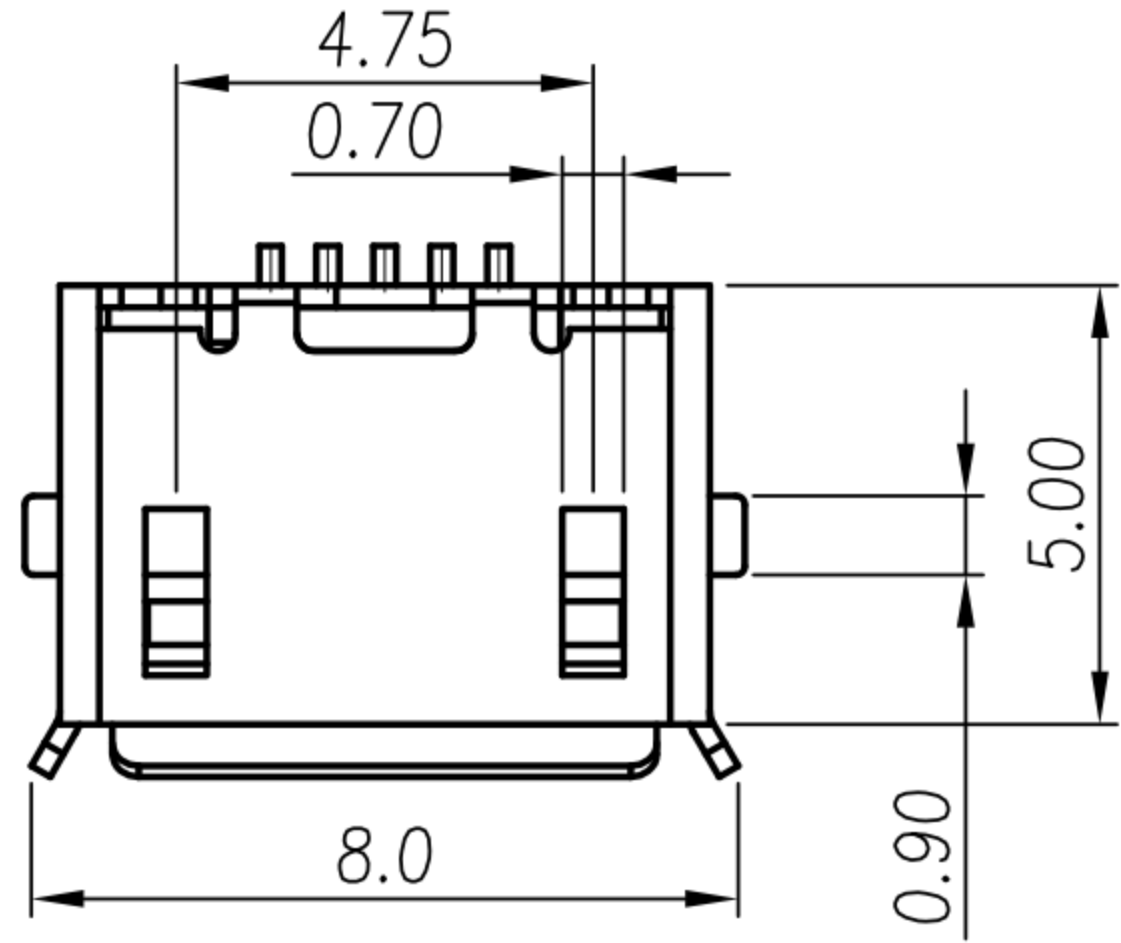
NOTE:

1. 若有未裝滿之零數箱, 必須以緩衝材塞滿.
2. 在搬運過程中要輕拿輕放.
3. 載運輸中不可堆放過多, 不可有重壓現象.
4. 在裝滿產品後, 必須空留帶前和帶後15格以上, 然後用紙膠布貼上.
5. 上帶在貼下帶時必須平整, 且黏貼處不要出現氣泡.

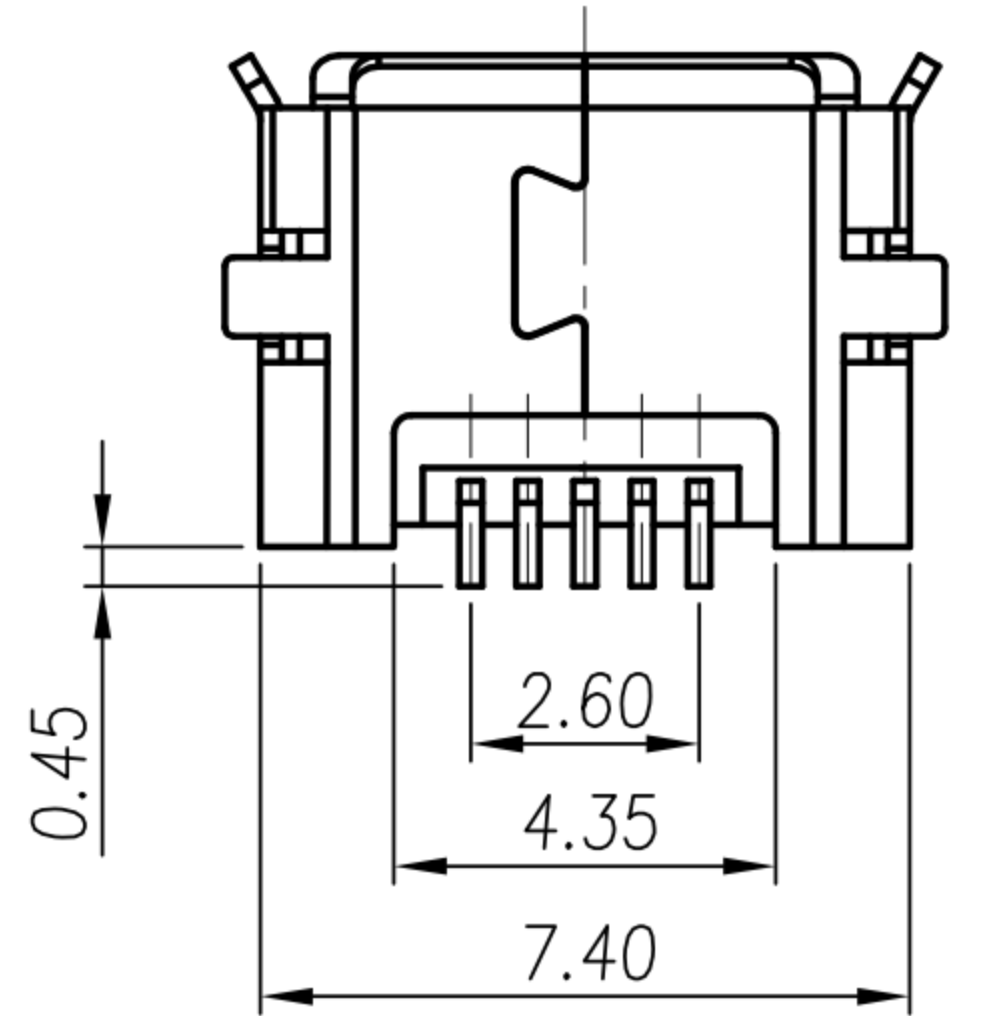
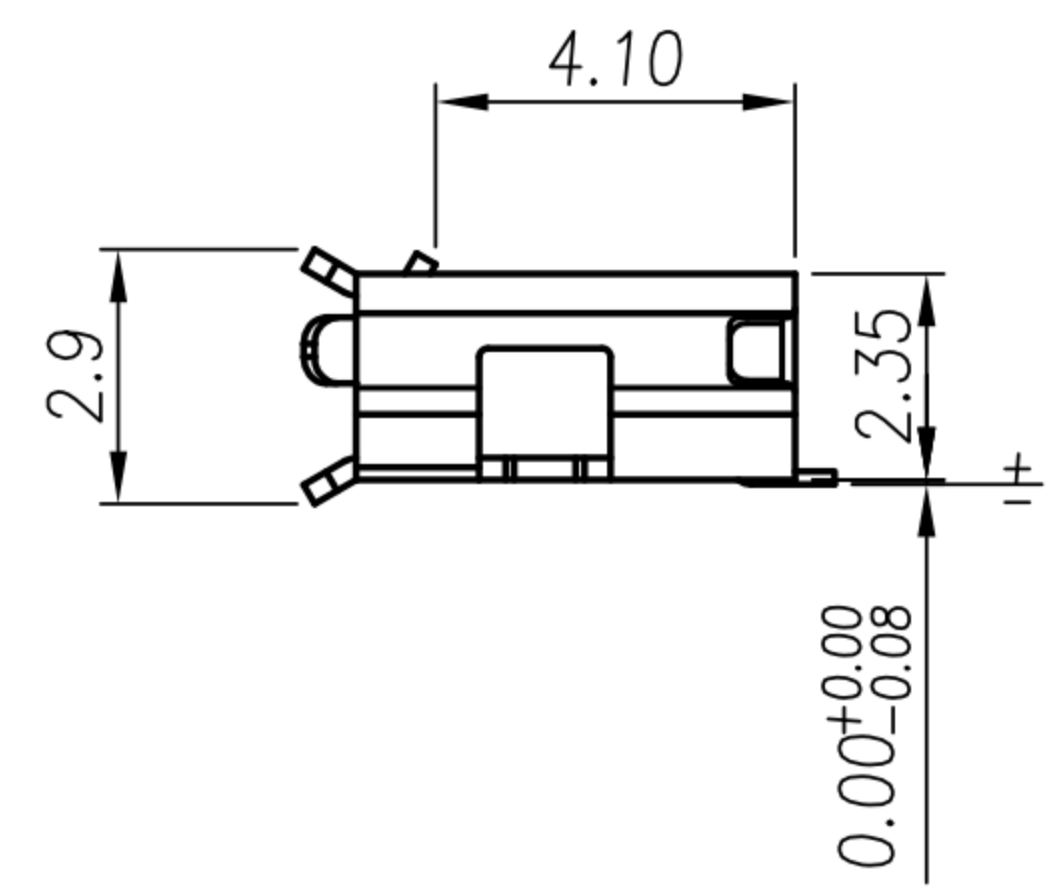
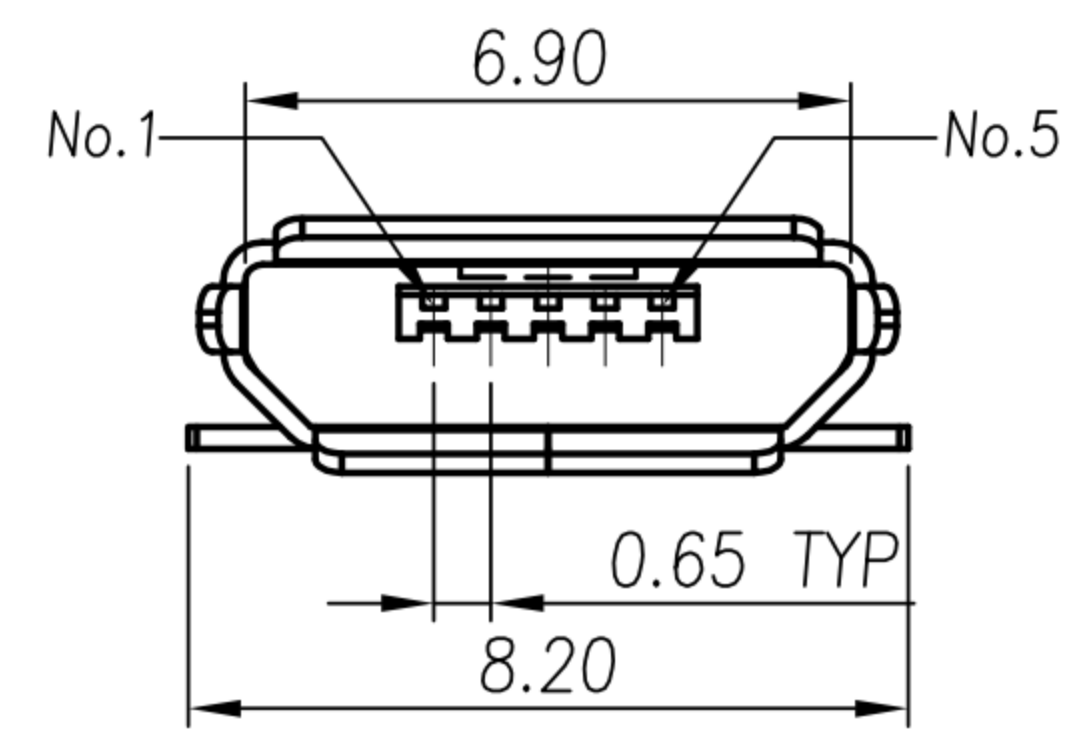
DRAWN	Jen Xie	APP'D	Emily Suen	UNIT	mm	TOLERANCE		广东科斯达电子科技有限公司 GUANG DONG KE SI DA ELECTRONIC TECHNOLOGY CO., LTD.	TITLE	MIRCO USB 5PIN (F) 包裝規範			SHEET	2
CHK'D	Emily Suen			SCALE	1:1	.x ±0.20 .xx ±0.10 .xxx ±0.05 .xxxx ±0.03 ANGULA ±1°			PART NO.	PK-1-MU-05F4-14	DWG NO.		VERSION	K

CUSTOMER DRAWING

REV.	DESCRIPTION	APPROVED BY	DATE	ECN NO.
J	ADD NEW PART NO.	Fido Weng	19/03/09"	
K	ADD NEW PART NO.	Fido Weng	22/04/09"	
L	MODIFY DIM.	Fido Weng	22/04/09"	ECN11010



RECOMMEND P.C.B LAYOUT



NOTE:
 1. MATERIAL:
 1-1. PIN : PHOSPHOR BRONZE
 1-2. HOUSING : LCP UL94V-0 ; COLOR : BLACK
 1-3. SHELL : STAINLESS STEEL
 2. FINISH :
 2-1. PIN : SEE TABLE A
 2-2. SHELL : SEE TABLE A

TABLE A

P/N	DESCRIPTION
MU-05F4-52	PIN : GOLD 10u" MIN ON CONTACT AREA, SHELL : GOLD FLASH OVER ALL.
MU-05F4-23	PIN : GOLD 10u" MIN ON CONTACT AREA, SHELL : NICKEL PLATED 60u" MIN OVER ALL.
MU-05F4-27	PIN : GOLD 15u" MIN ON CONTACT AREA, SHELL : MATTED TIN 60u" MIN OVER ALL.
MU-05F4-14	PIN : GOLD 10u" MIN ON CONTACT AREA, SHELL : MATTED TIN 60u" MIN OVER ALL.
MU-05F4-29	PIN : GOLD 15u" MIN ON CONTACT AREA, SHELL : NICKEL PLATED 60u" MIN OVER ALL.
MU-05F4-51	PIN : GOLD 30u" MIN ON CONTACT AREA, SHELL : MATTED TIN 60u" MIN OVER ALL.

DRAWN	Jen Xie	APP'D	Emily Suen	UNIT	mm	TOLERANCE		广东科斯达电子科技有限公司 GUANG DONG KE SI DA ELECTRONIC TECHNOLOGY CO., LTD.	TITLE	MICRO USB 5P(F) B TYPE			SHEET	1/2
CHK'D	Emily Suen	SCALE	1:1	ANGULA	±1°	PART NO.			SEE TABLE A	DWG NO.	QC2407	VERSION	L	