

CUSTOMER DRAWING

REV.	DESCRIPTION	APPROVED BY	DATE	ECN NO.
△A	RELEASE	Yeh Chou	2017/xx/xx	
△B				
△C				
△D				

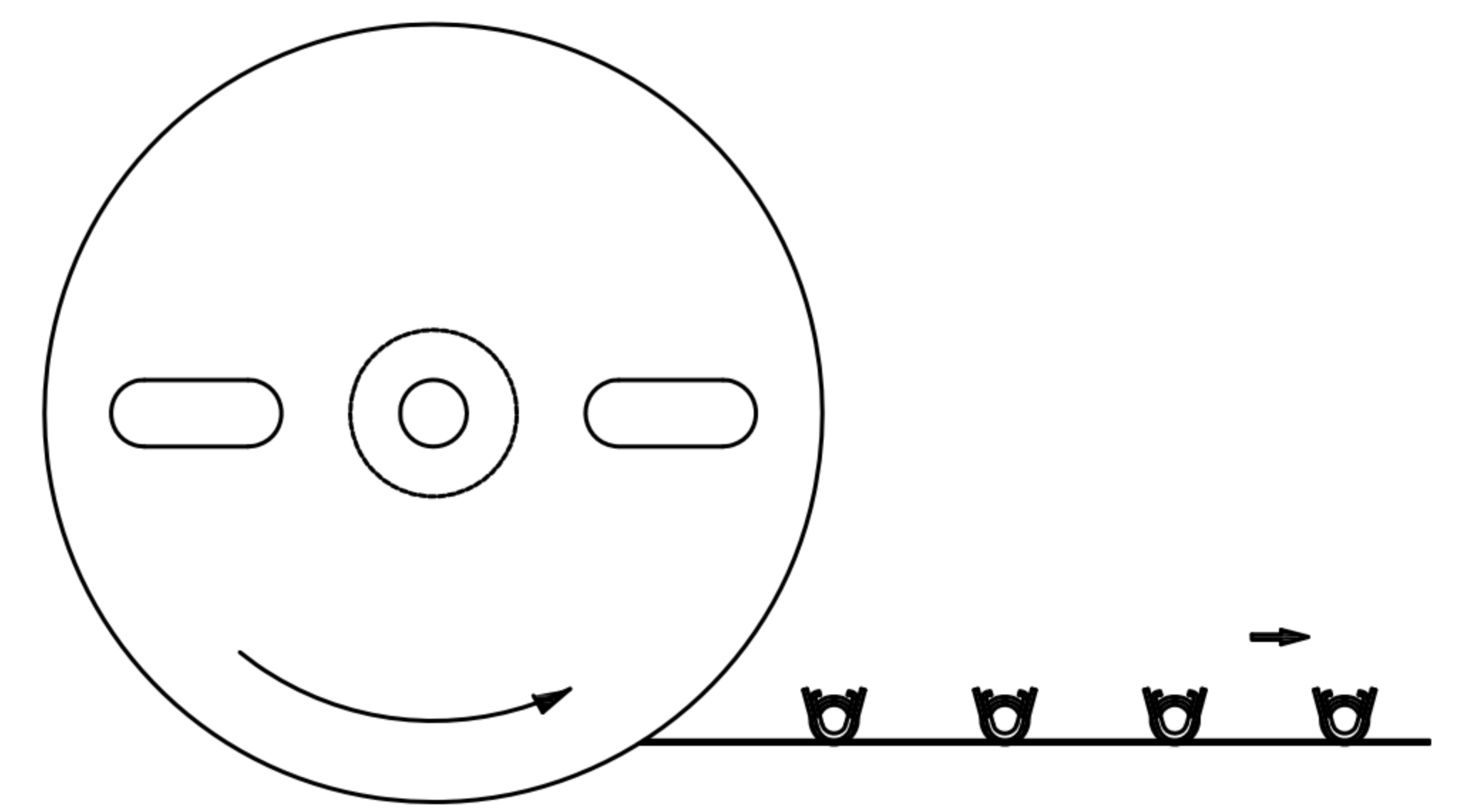
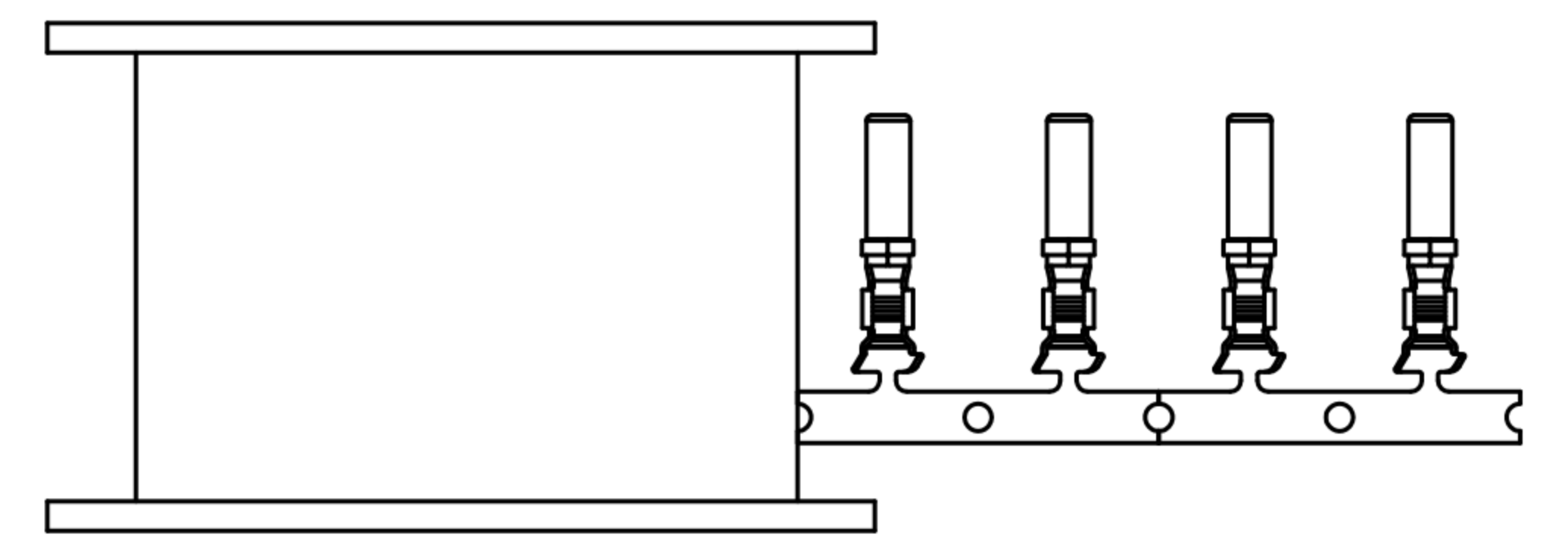
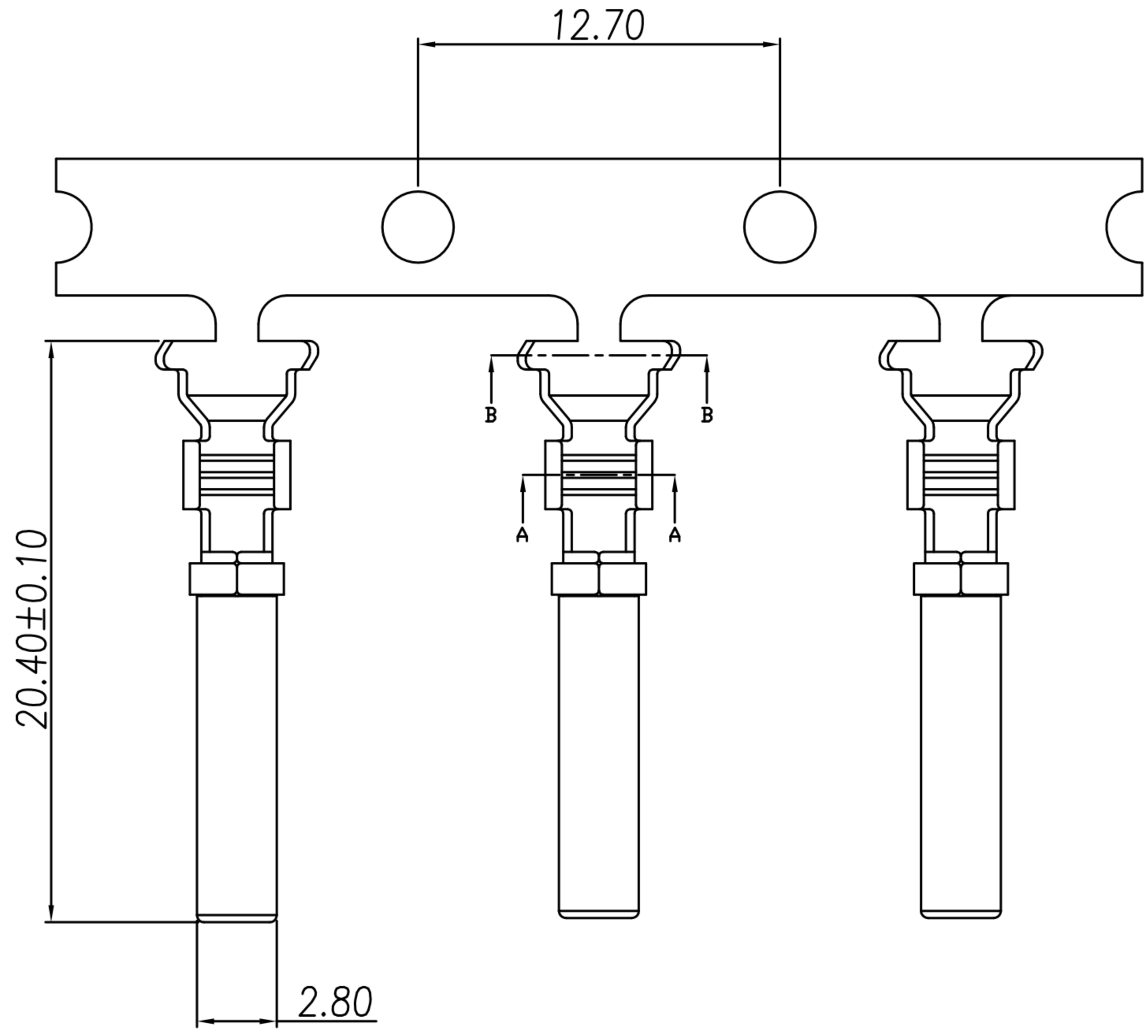
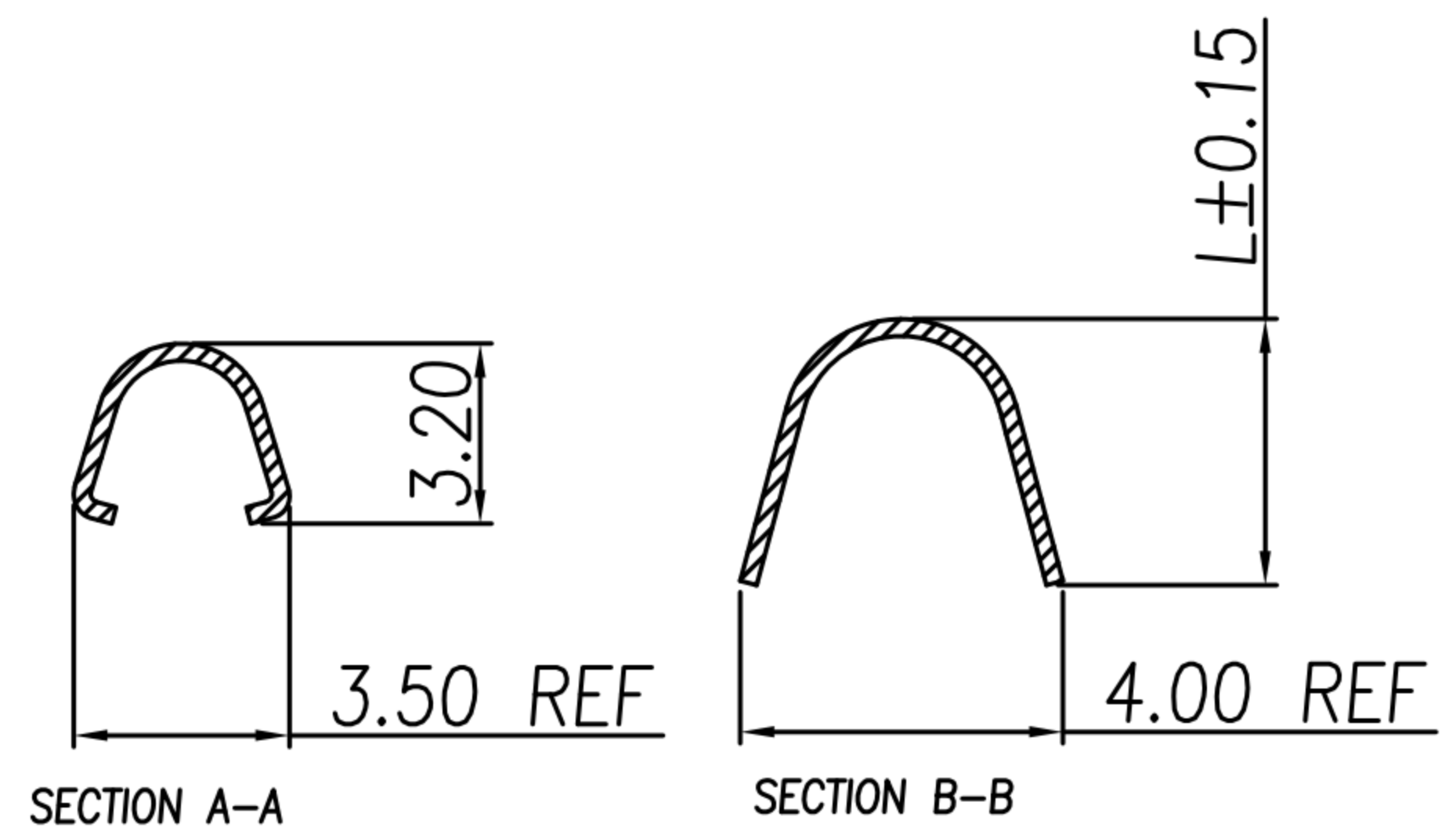


TABLE A

P/N	L	TITLE
NY-WP699-11	4.6	防水頭9PIN(F)端子半成品(Crimp PIN)(表金)
NY-WP375	4.6	防水頭9PIN(F)端子半成品(Crimp PIN)(TIN 80u")
NY-WP514	3.4	防水頭9PIN(F)端子半成品(Crimp PIN)(短線夾)(TIN 80u")
NY-WP927-10	3.4	防水頭9PIN(F)端子半成品(Crimp PIN)(短線夾)(GOLD FLASH)



- MATERIAL :
 - 1-1. CONTACT : PHOSPHOR BRONZE
 - 1-2. SHELL : STAINLESS STEEL
- FINISH :
 - 2-1. CONTACT : SEE TABLE A

DRAWN	Yeh Chou	APP'D	Ku Chou	UNIT	mm	TOLERANCE	广东科斯达电子科技有限公司 GUANG DONG KE SI DA ELECTRONIC TECHNOLOGY CO., LTD.	TITLE	防水頭9PIN(F)端子半成品(Crimp PIN)			SHEET	1/1
CHK'D	Yeh Chou			SCALE	1:1	.x ±0.20 .xx ±0.10 .xxx ±0.05 .xxxx ±0.03 ANGULA ±1°		PART NO.	SEE TABLE A	DWG NO.	QC5426	VERSION	A