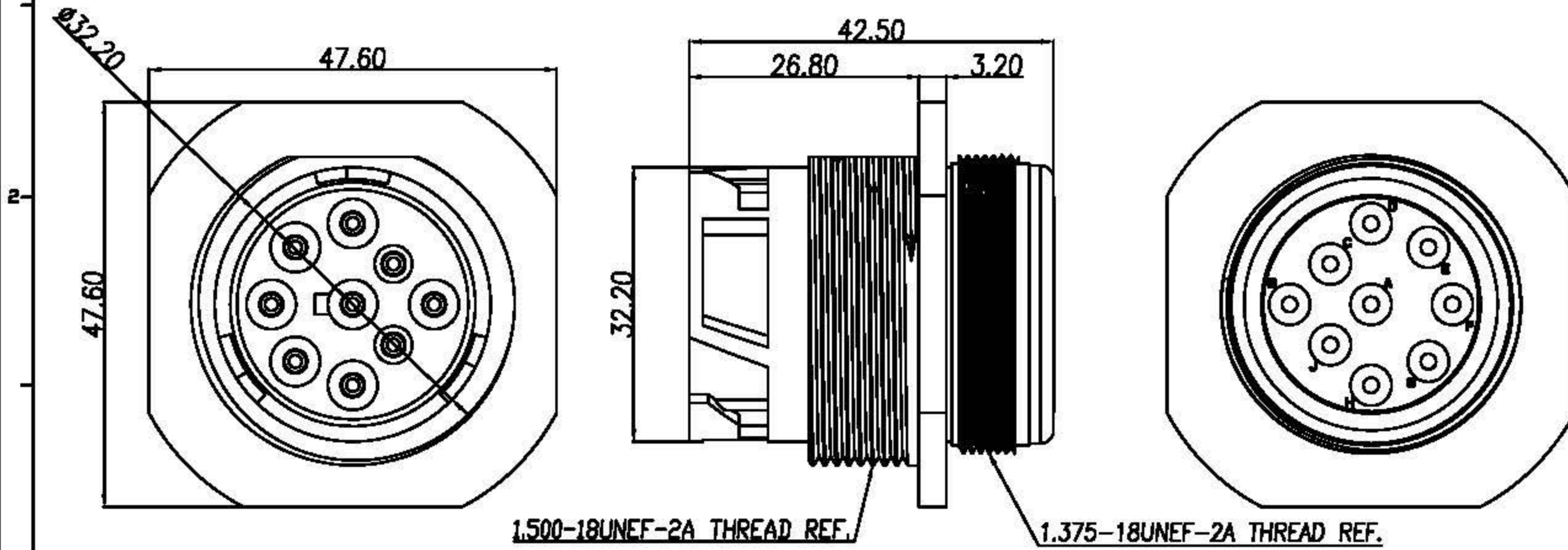


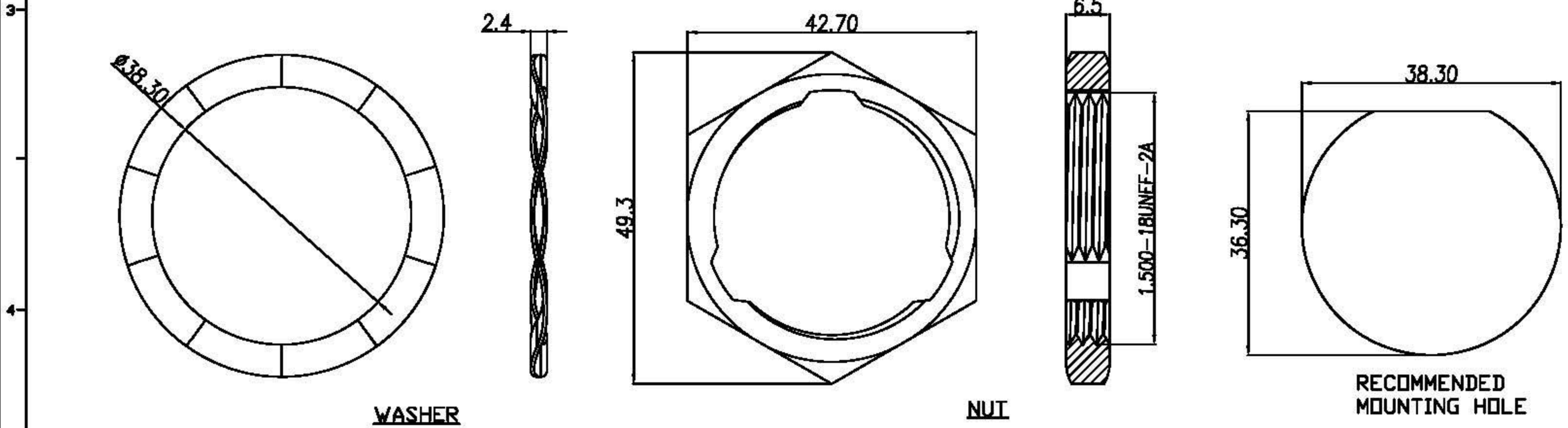
This document is the property of Nian-Yeong Corporation and is delivered on the express condition that it is not to be disclosed, reproduced or used, in whole or in part, for manufacture or sale by anyone other than Nian-Yeong Corporation without its prior consent, and that no right is granted to disclose or to use any information in this document.

# CUSTOMER DRAWING

REV.	DESCRIPTION	APPROVED BY	DATE	ECN NO.
A	RELEASE	EDOLY SIEN	03/01/11	
B				
C				



- MATERIAL :
  - 1-1. INSULATOR : PA66 ; COLOR : BLACK
  - 1-2. HOUSING : PA66 ; COLOR : BLACK
  - 1-3. REAR COVER : PA66 ; COLOR : BLACK
  - 1-4. NUT : PA66 ; COLOR : BLACK
  - 1-5. RUBBER : SILICONE ; COLOR : ORANGE
  - 1-6. WASHER : K7
- ELECTRICAL SPECIFICATION :
  - 2-1. Rated current : 13A
  - 2-2. Rated Voltage : 500V
  - 2-3. Water proof : IP67
- Environmental :
  - 3-1. Operation Temperature : -40~105°



WASHER

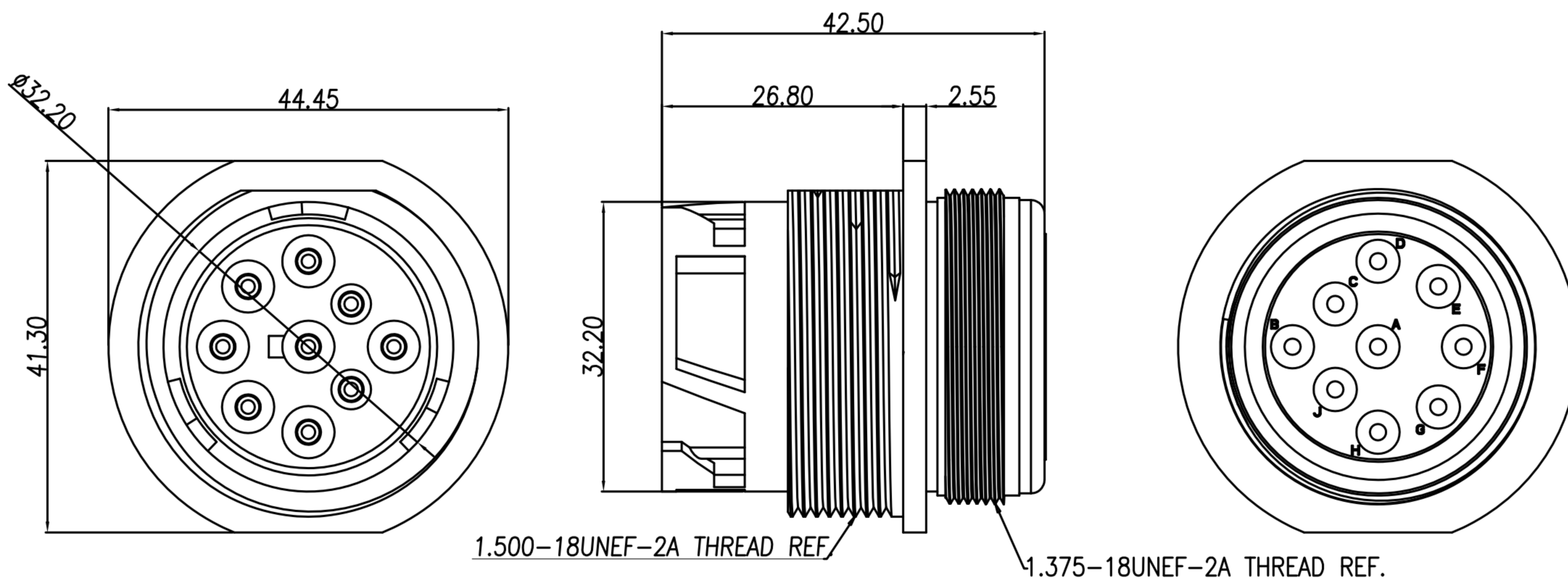
NUT

RECOMMENDED MOUNTING HOLE

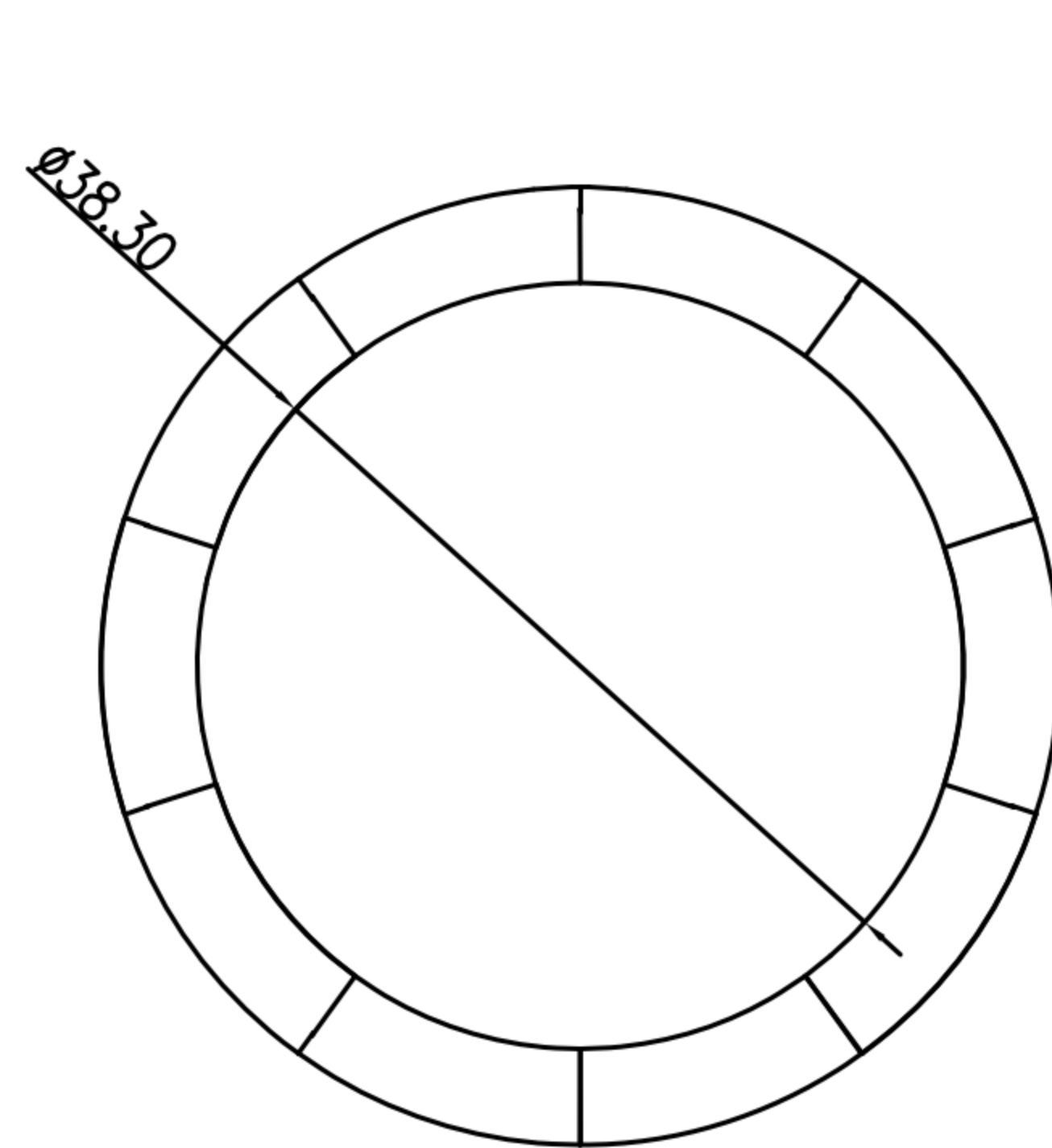
DRAWN	Yeh Chou	APP'D	Ku Chou	UNIT	mm	TOLERANCE		TITLE	插孔PIN(F) 1.500-18UNEF-2A (#54)	SHEET			
CHK'D	Yeh Chou	SCALE	1:1			X ±0.10 JOK ±0.05 JOKK ±0.03 XJOKK ±0.01 ANGULA ±1°		NIAN YEONG ENTERPRISE 年永實業有限公司	PART NO.	WP-09F2-04-01		DWG NO.	QC6687

CUSTOMER DRAWING

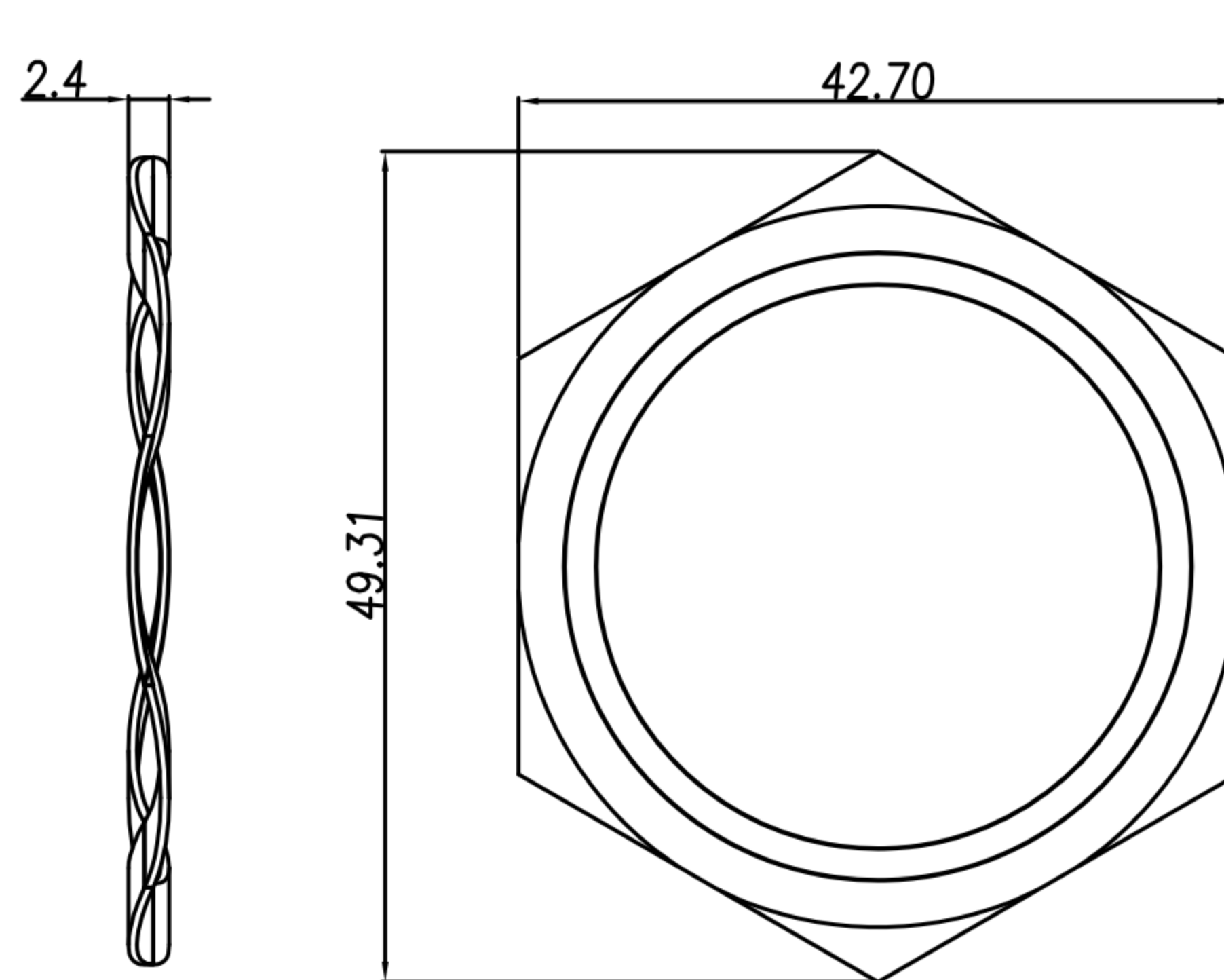
REV.	DESCRIPTION	APPROVED BY	DATE	ECN NO.
A	RELEASE	Fido Weng	04/10/13'	
B				
C				



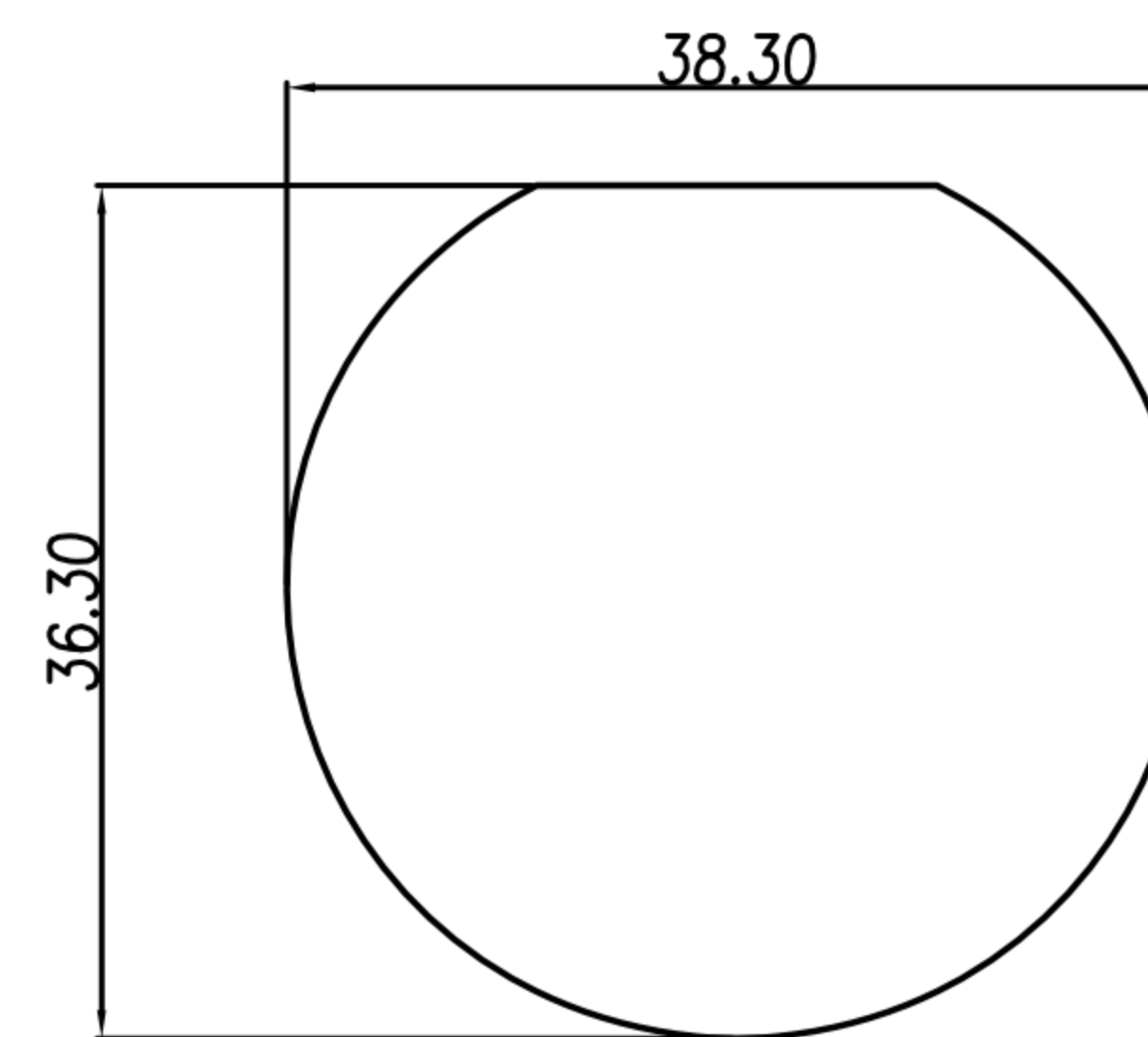
- MATERIAL :
  - 1-1. INSULATOR : PA66 ; COLOR : BLACK
  - 1-2. HOUSING : PA66 ; COLOR : BLACK
  - 1-3. REAR COVER : PA66 ; COLOR : BLACK
  - 1-4. HEX NUTS : PA66 ; COLOR : BLACK
  - 1-5. RUBBER : SILICONE ; COLOR : ORANGE
  - 1-6. WASHER : K7
- ELECTRICAL SPECIFICATION :
  - 2-1. Rated current : 13A
  - 2-2. Rated Voltage : 500V
  - 2-3. Water proof : IP67
- Environmental :
  - 3-1. Operation Temperature : -40°~105°



WASHER



NUT



RECOMMENDED MOUNTING HOLE

DRAWN	Yeh Chou	APP'D	Ku Chou	UNIT	mm	TOLERANCE			TITLE	防水9PIN(F)前置 1.500-18UNEF-2A			SHEET						
CHK'D	Yeh Chou	SCALE	1:1	.x	±0.10	.xx			±0.05	.xxx	±0.03	.xxxx	±0.01		ANGULA	±1°	PART NO.	WP-09F2-03-01	DWG NO.