

# CUSTOMER DRAWING

REV.	DESCRIPTION	APPL. BY	DATE	ECN NO.
A				
B				
C				

### 步驟一:

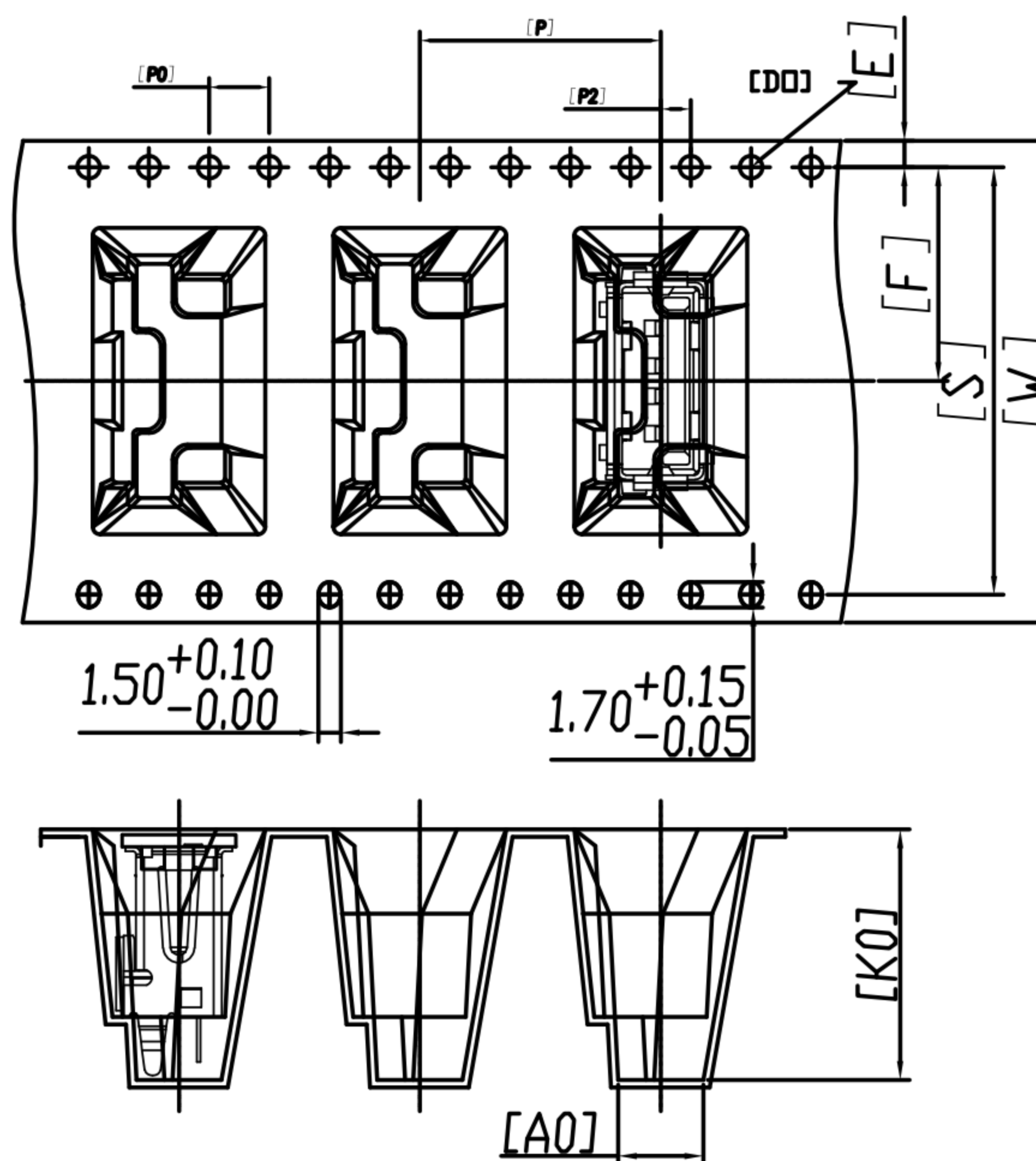
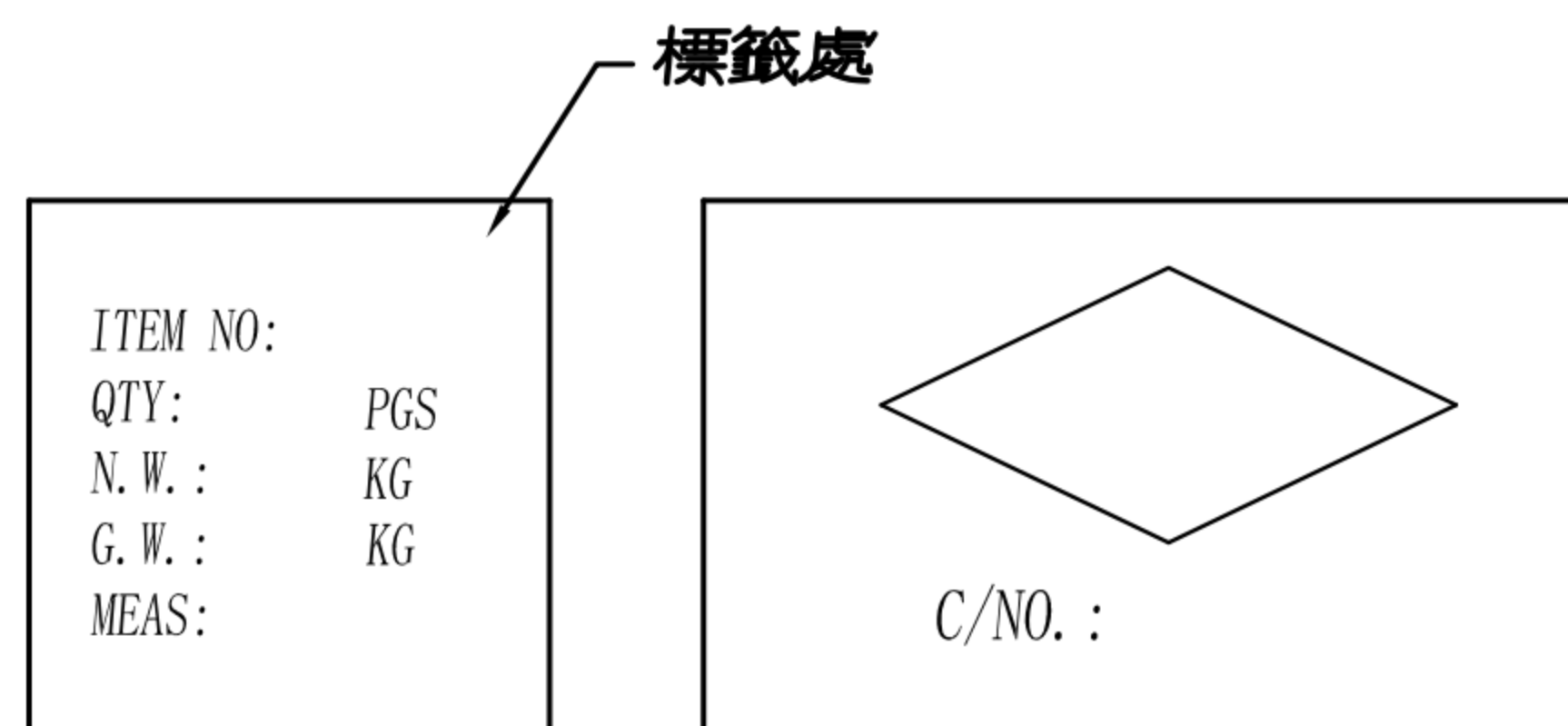
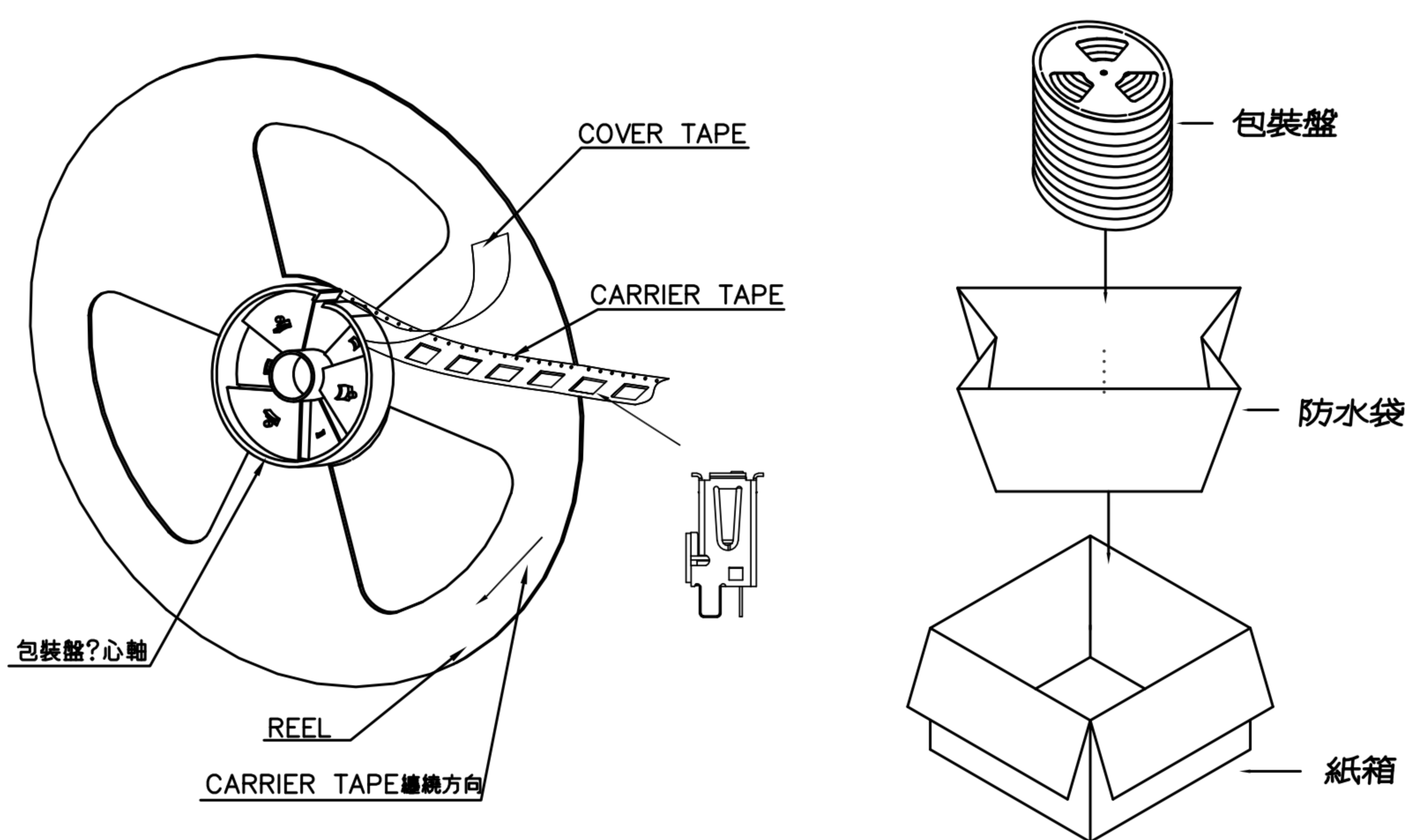
- 將成品一一放入包裝盤內,依同一方向置入.
- 包裝方式,如圖所示.
- 一個包裝盤內放200pcs.

### 步驟二:

- 一個紙箱可以裝10個包裝盤.
- 每盤200pcs,每箱2000pcs.
- 將包裝盤放入防水袋中,包裝完後再封箱.

### 步驟三:

- 用膠帶將紙箱封實.
- 將標籤貼於紙箱上.



ITEM	SPEC
W	32.00 <sup>+0.30</sup> / <sub>-0.30</sub>
A0	5.66 <sup>+0.10</sup> / <sub>-0.10</sub>
B0	15.56 <sup>+0.10</sup> / <sub>-0.10</sub>
K0	16.65 <sup>+0.10</sup> / <sub>-0.10</sub>
P	16.00 <sup>+0.10</sup> / <sub>-0.10</sub>
F	14.20 <sup>+0.10</sup> / <sub>-0.10</sub>
E	1.75 <sup>+0.10</sup> / <sub>-0.10</sub>
D0	1.50 <sup>+0.10</sup> / <sub>-0.00</sub>
P0	4.00 <sup>+0.10</sup> / <sub>-0.10</sub>
P2	2.00 <sup>+0.10</sup> / <sub>-0.10</sub>
t	0.50 <sup>+0.05</sup> / <sub>-0.05</sub>

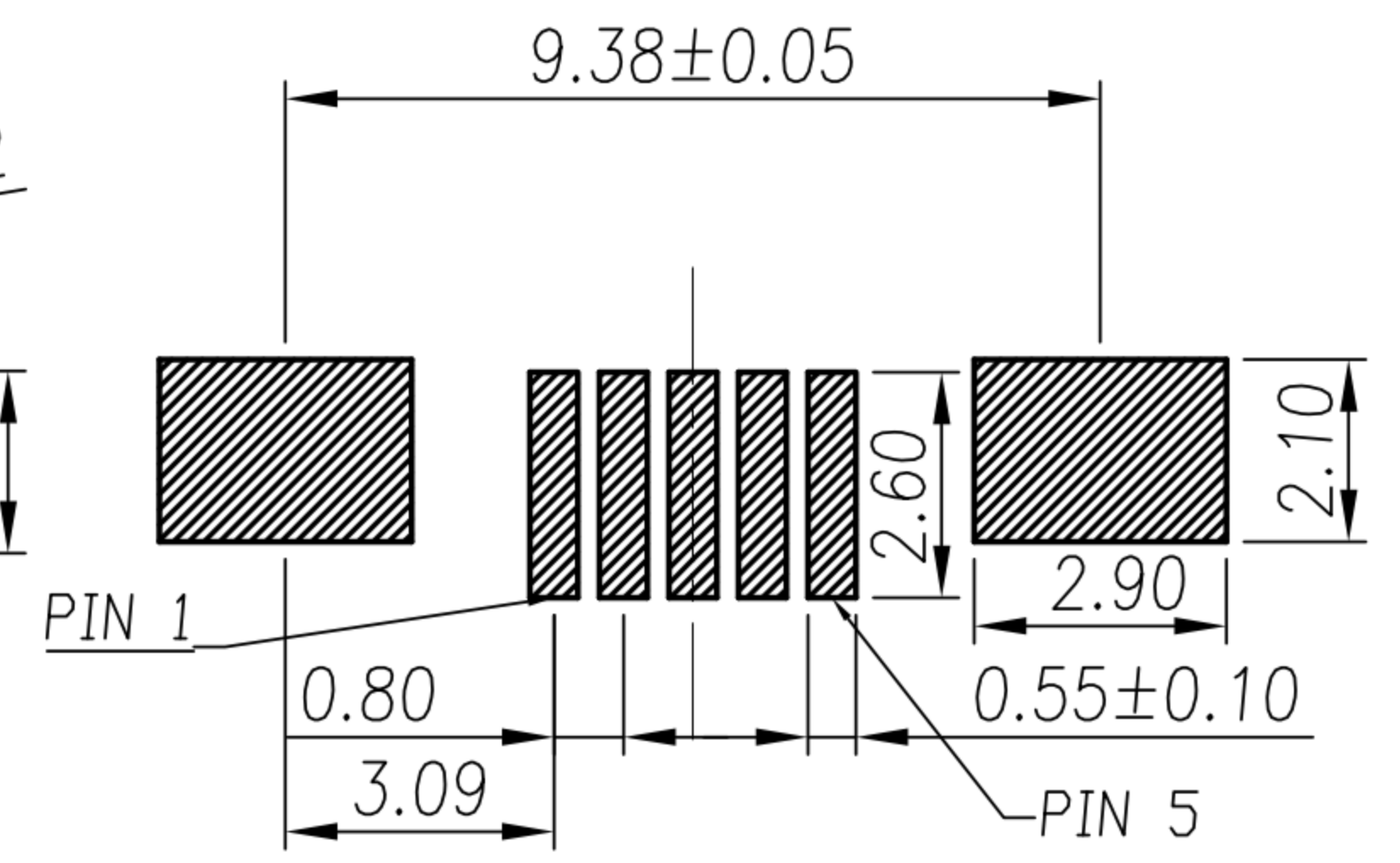
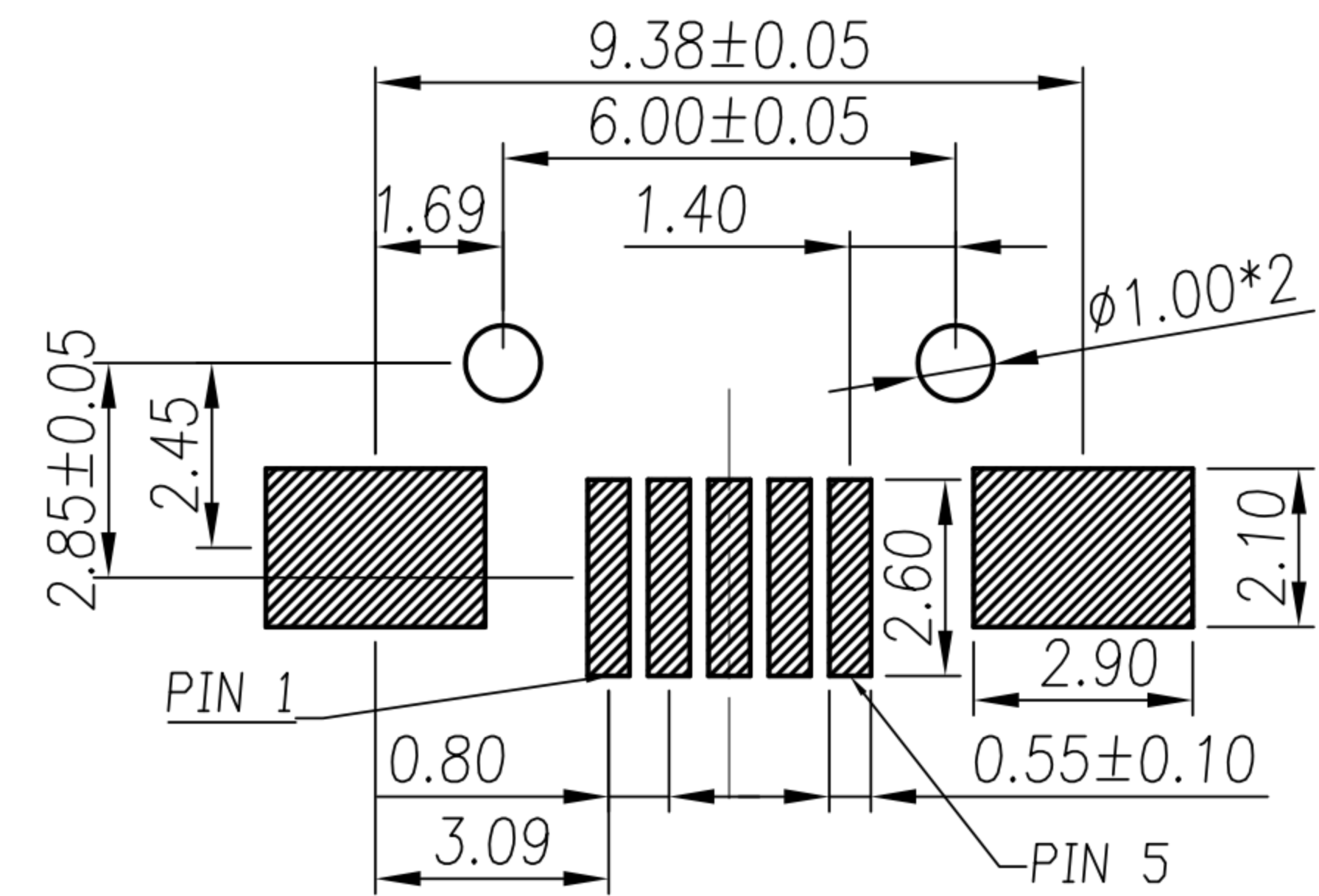
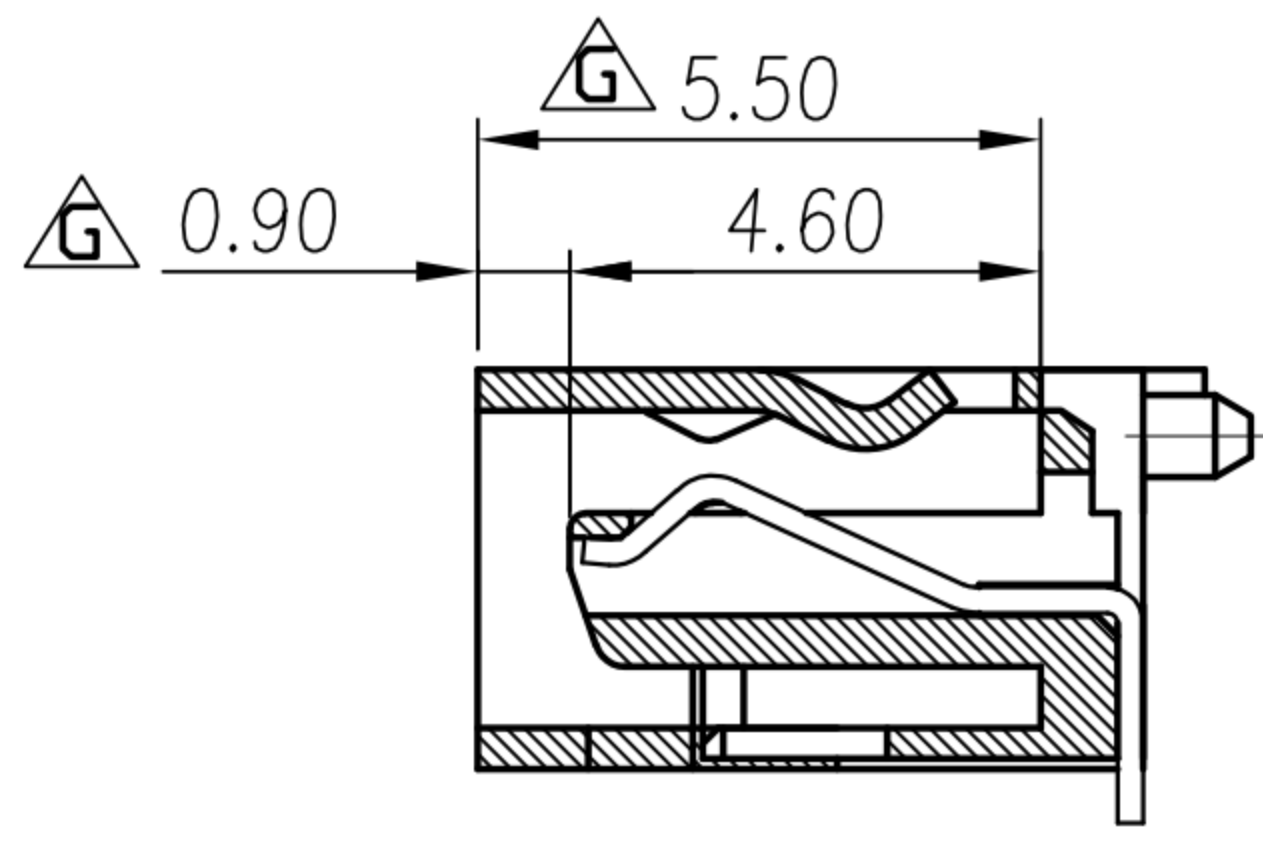
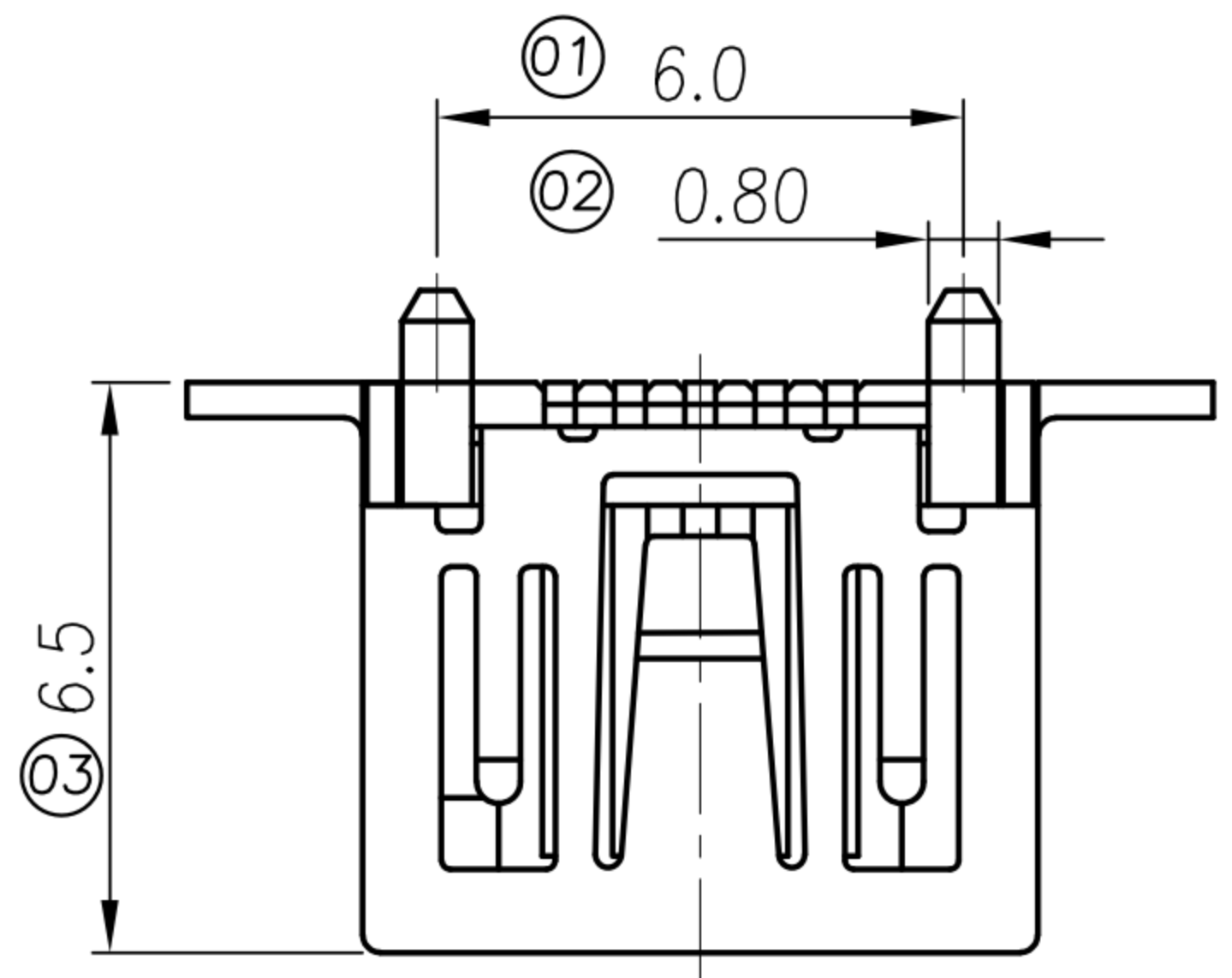
### NOTE:

- 若有未裝滿之零數箱,必須以緩衝材塞滿.
- 在搬運過程中要輕拿輕放.
- 載運輸中不可堆放過多,不可有重壓現象.
- 在裝滿產品後,必須空留帶前和帶後15格以上,然後用紙膠布貼上.
- 上帶在貼下帶時必須平整,且黏貼處不要出現氣泡.

DRAWN	Mark Kao	APP'D	Ku Chou	UNIT	mm	TOLERANCE		广东科斯达电子科技有限公司 GUANG DONG KE SI DA ELECTRONIC TECHNOLOGY CO., LTD.	TITLE	USB 4P A (F)180度 DIP直腳			SHEET	2
CHK'D	Emily Suen			SCALE	1:1	.x ±0.20 .xx ±0.10 .xxx ±0.05 .xxxx ±0.03 ANGULA ±1°			PART NO.	US-04F3-29-11	DWG NO.	QC7673	VERSION	A

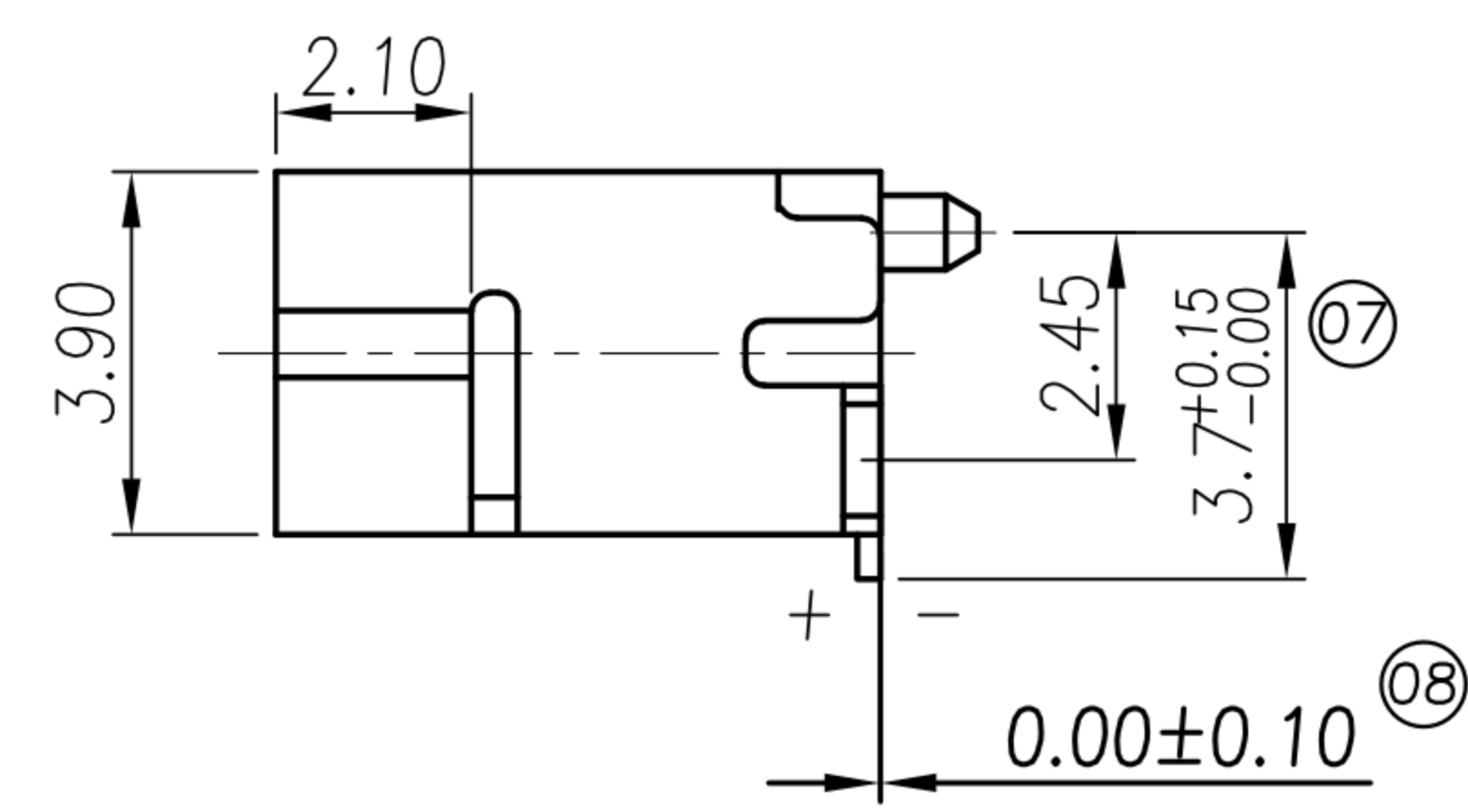
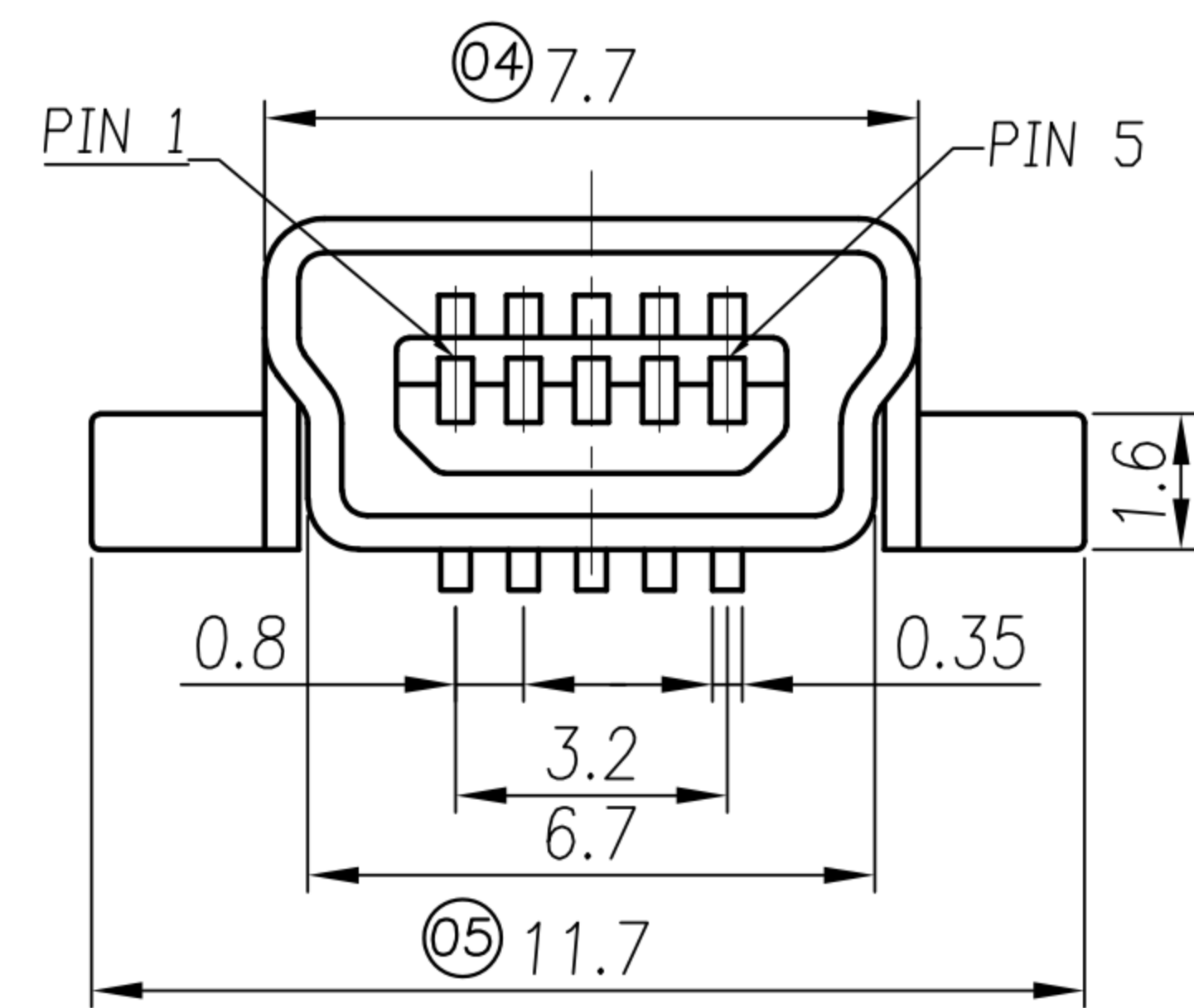
# CUSTOMER DRAWING

REV.	DESCRIPTION	APPVL. BY	DATE	ECN NO.
E	MODIFY DRAWING	Fido Weng	15/07/10'	ECN10073
F	ADD NEW PART NO. IN TABLE A	Fido Weng	15/02/11'	ECN11016
G	CHANGE DIM. ADD MATERIAL TYPE	Emily Suen	14/10/11'	
H	變更MU-05F4-67 貼腳方式	Emily Suen	07/06/12'	

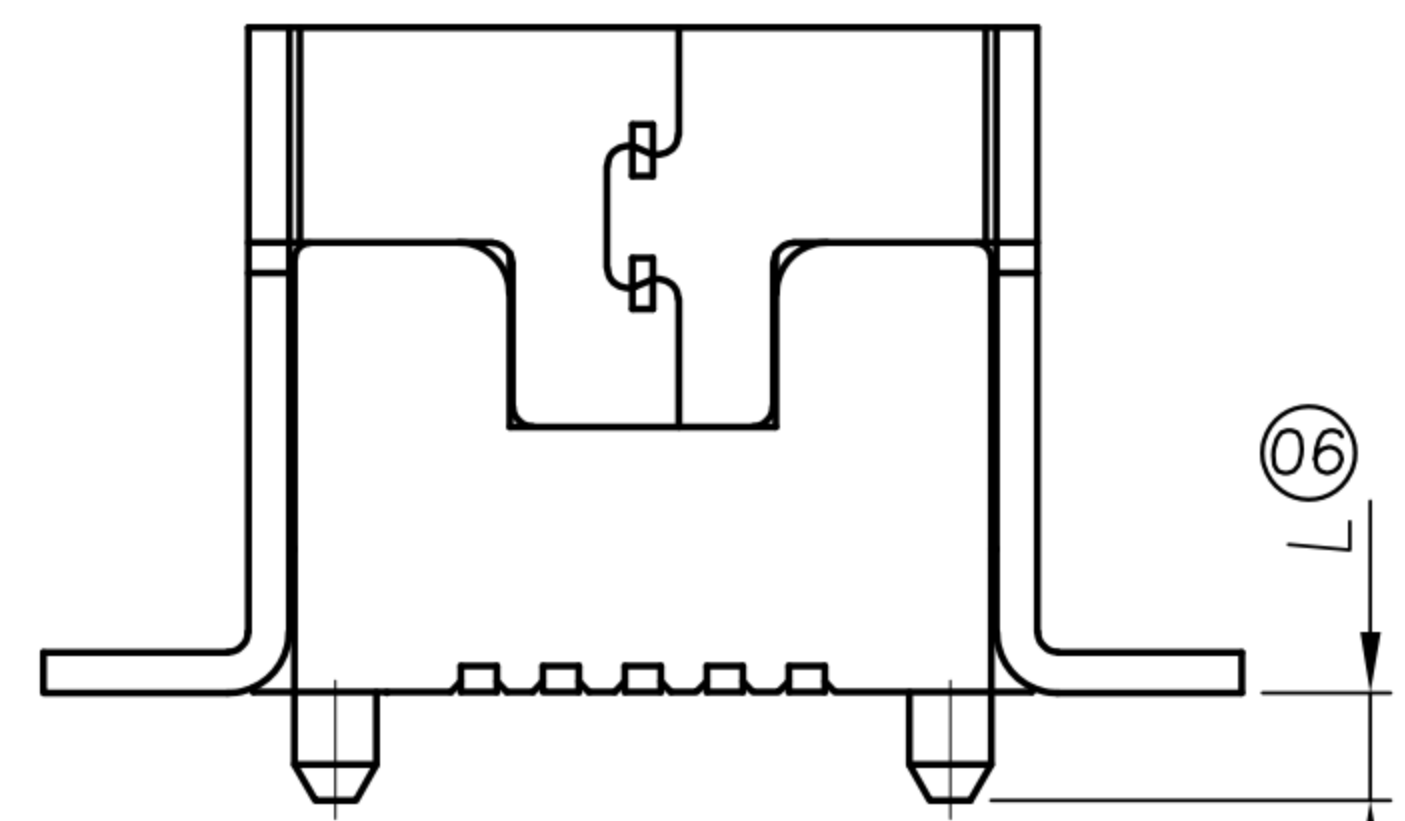


RECOMMENDED PCB LAYOUT

WITHOUT POST  
RECOMMENDED PCB LAYOUT



- 1. MATERIAL:**  
 1-1. Housing: LCP E130i  
 1-2. CONTACT: PHOSPHOR BRONZE C5191  
 1-3. SHELL: BRASS C2680  
 1-4. CAP: LCP E130i
- 2. PLATING:**  
 2-1. CONTACT: CONTACT AREA: SEE TABLE A  
 SOLDER AREA: MATTE TIN 60u"  
 UNDERPLATED: SEE TABLE A  
 2-2. SHELL: SEE TABLE A



MU-05F4-53 MU-05F4-46 MU-05F4-66 WITH POST	MU-05F4-55 WITHOUT POST	MU-05F4-67 WITH POST & 2面貼 MYLAR	

PART NO.	UNDER PLATED	CONTACT AREA	L	SHELL PLATED
MU-05F4-81-10	NICKEL 60u"	GOLD 10u"	1.05	MATTE TIN 100u"
MU-05F4-67	NICKEL 200u"	GOLD 30u"	1.05	NICKEL 100u"
MU-05F4-66	NICKEL 60u"	GOLD 10u"	0.65	NICKEL 100u"
MU-05F4-46	NICKEL 60u"	GOLD 10u"	1.05	NICKEL 100u"
MU-05F4-53	NICKEL 200u"	GOLD 30u"	1.05	NICKEL 100u"
MU-05F4-55	NICKEL 60u"	GOLD 10u"	N/A	NICKEL 100u"

DRAWN	Jen Xie	APP'D	Emily Suen	UNIT	mm	TOLERANCE		广东科斯达电子科技有限公司 GUANG DONG KE SI DA ELECTRONIC TECHNOLOGY CO., LTD.	TITLE	MiniUsb 5(F) 直立式SMT(加CAP)			SHEET	1/2
CHK'D	Emily Suen			SCALE	1:1	.x ±0.20 .xx ±0.10 .xxx ±0.05 .xxxx ±0.03 ANGULA ±1°			PART NO.	SEE TABLE A	DWG NO.	QC3509	VERSION	H