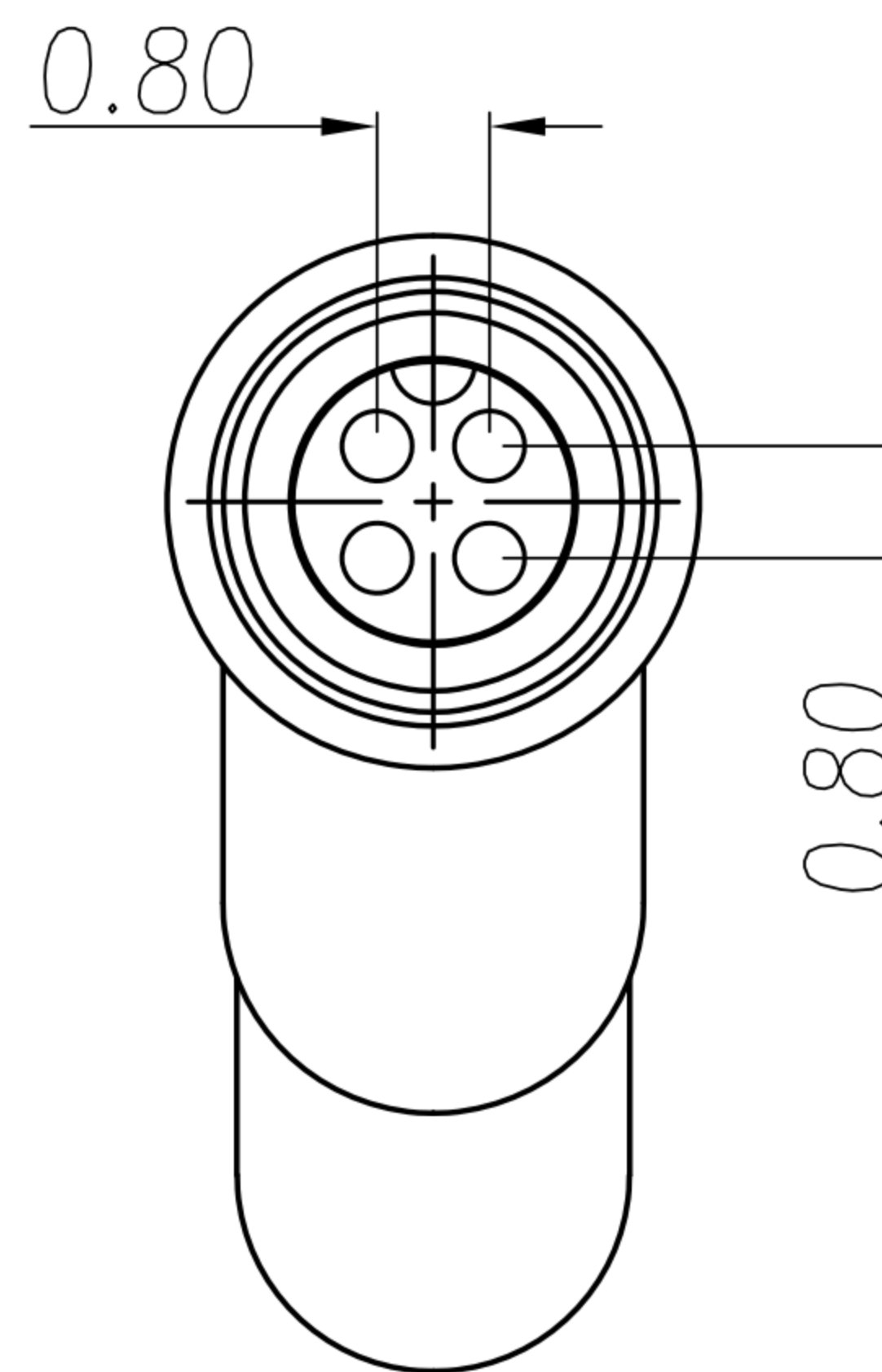
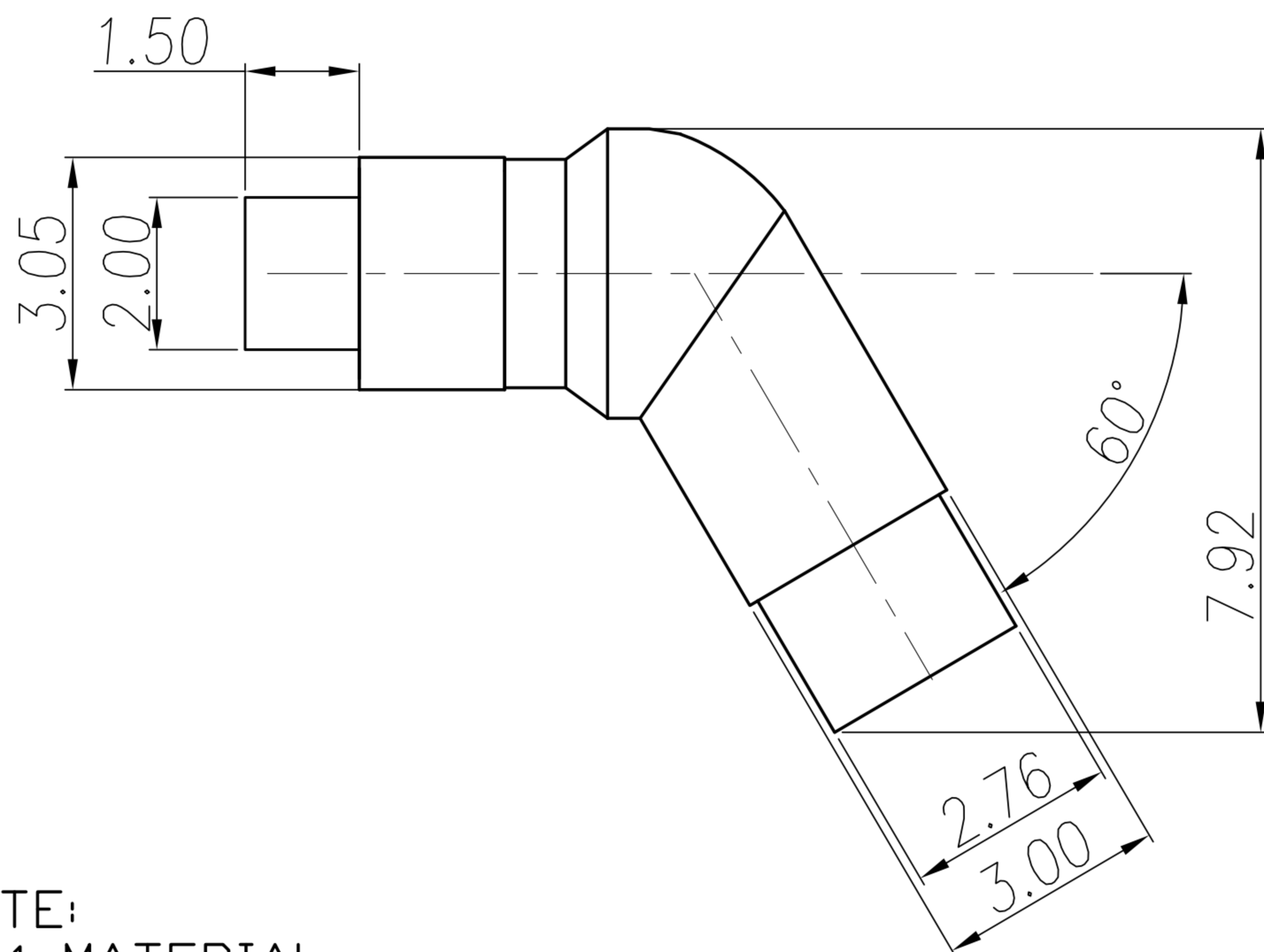


CUSTOMER DRAWING

REV.	DESCRIPTION	APPROVED BY	DATE	ECN NO.
△A	RELEASE	Fido	21/11/08'	
△B	增加紅色&藍色 色階代碼	Fido	3/9/15'	ECN-15014
△C				



NOTE:

1. MATERIAL
 - 1-1.HOUSING:PBT+15%GF
 - 1-2.CONTACT:BERYLLIUM COPPER
 - 1-3.RING:BRASS
 - 1-3.PLASTIC COVER:ABS
 - 1-4.Color: TABLE A
- 2.PLATING
 - 2-1.CONTACT:GOLD 10u"
 - 2-2.RING:GOLD FLASH

TABLE A

	HO-04M2-02	助聽器4(M)黑	
△B	HO-04M2-03	助聽器4(M)藍	300C
△B	HO-04M2-04	助聽器4(M)紅	187C
	P/N	DESCRIPTION	Color

DRAWN	Yeh Chou	APP'D	Ku Chou	UNIT	mm	TOLERANCE		TITLE	TABLE A			SHEET	
CHK'D	Yeh Chou			SCALE	1:1	.x ±0.20 .xx ±0.10 .xxx ±0.05 .xxxx ±0.03 ANGULA ±1°			PART NO.	TABLE A	DWG NO.	QC2197	VERSION B

广东科斯达电子科技有限公司
GUANG DONG KE SI DA ELECTRONIC TECHNOLOGY CO., LTD.