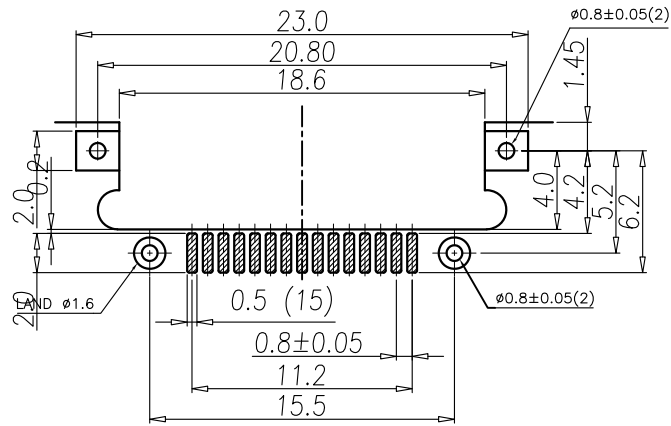
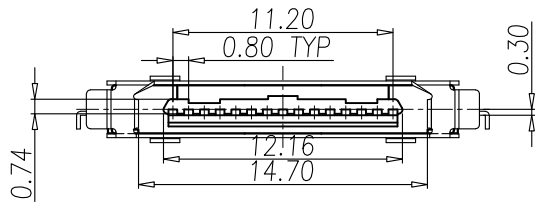
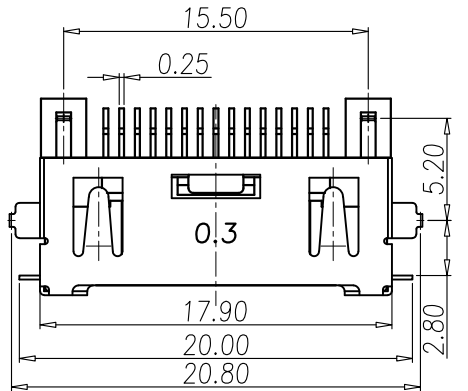


# CUSTOMER DRAWING

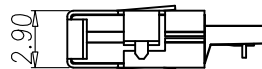
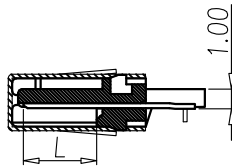
REV.	DESCRIPTION	APPROVED BY	DATE	ECN NO.
A				
B	圖面整合	Ku Chou	2018/01/03	
C				



P.C.B LAYOUT  
TOP VIEW  
TOLERANCES:±0.1



- MATERIAL :
  - HOUSING : LCP UL94V-0 ; COLOR : BLACK
  - CONTACT : PHOSPHOR BRONZE
  - SHELL : STAINLESS STEEL
- FINISH :
  - CONTACT : 5u" MIN. GOLD PLATED  
UNDER PLATE : NICKEL
  - SHELL : NICKEL PLATED 60u" ~ 100u" OVER ALL
- ELECTRICAL SPECIFICATION :
  - Rated current : 0.5A
  - Voltage : 125V
- Environmental :
  - Operation Temperature : -40°C~105°C



CONTACT POS.	L
P1&P15	3.7
OTHERS	3.0

B Type	A Type
B1 Type	A1 Type
B2 Type	A2 Type
B3 Type	A3 Type

TABLE A

	P/N	DESCRIPTION
1	PC-15F4-01	PCMCIA 15P (F) 0.3 A TYPE
2	PC-15F4-09	PCMCIA 15P (F) 0.3 A1 TYPE
3	PC-15F4-04	PCMCIA 15P (F) 0.3 A2 TYPE
4	PC-15F4-05	PCMCIA 15P (F) 0.3 A3 TYPE
5	PC-15F4-03	PCMCIA 15P (F) 0.3 B TYPE
6	PC-15F4-08	PCMCIA 15P (F) 0.3 B1 TYPE
7	PC-15F4-17	PCMCIA 15P (F) 0.3 B2 TYPE
8	PC-15F4-02	PCMCIA 15P (F) 0.3 B3 TYPE

DRAWN	Emily Suen	APP'D	Ku Chou	UNIT	mm	TOLERANCE		广东科斯达电子科技有限公司 GUANG DONG KE SI DA ELECTRONIC TECHNOLOGY CO., LTD.	TITLE	TABLE A			SHEET	1/2
CHK'D	Emily Suen	SCALE	1:1	ANGULA	±1°	.x ±0.20 .xx ±0.10 .xxx ±0.05 .xxxx ±0.03			PART NO.	TABLE A	DWG NO.	QC0699	VERSION	

This document is the property of Nian-Yeong Corporation and is delivered on the express condition that it is not to be disclosed, reproduced or used, in whole or in part, for manufacture or sale by anyone other than Nian-Yeong Corporation without its prior consent, and that no right is granted to disclose or to use any information in this document.

# CUSTOMER DRAWING

REV.	DESCRIPTION	APPROVED BY	DATE	ECN NO.
A				
B	圖面整合	Ku Chou	2018/01/03	
C				

## 包裝說明:

1. 如圖所示,將成品按規定之包裝數量置入盤子中,並在盤上貼上盤面標籤一張
2. 10盒盤子一個單位以模帶封住,在裝入箱內,再封膠帶
3. 紙箱封蓋後以封箱帶封箱,並在側面貼上出貨標籤和ROHS標籤
4. 標籤:若有客戶另有貼標籤要求,則按其訂單注明之要求貼
5. 紙箱尺寸及印刷包材圖面(總重量僅供參考,以實際出貨為準)
6. 未滿之零數箱,需以緩衝材料填滿
7. 在搬運過程中要輕拿輕放.
8. 載運輸中不可堆放過多,不可有重壓現象.
8. 紙箱:SEE TABLE A
9. 一盤:100PCS
10. 一箱:2600PCS

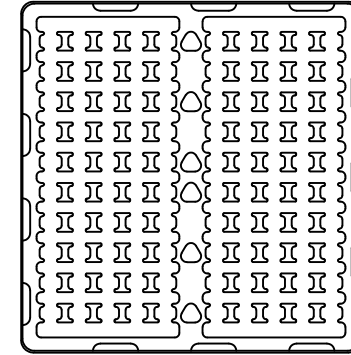
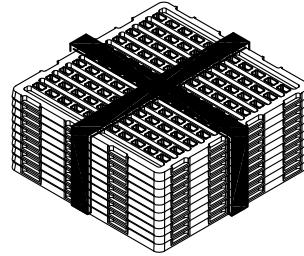
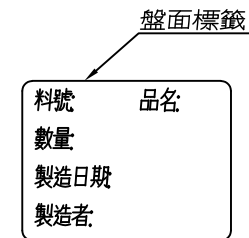
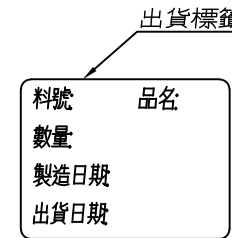
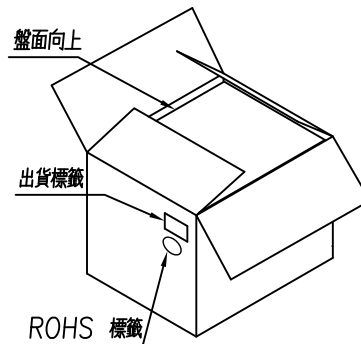
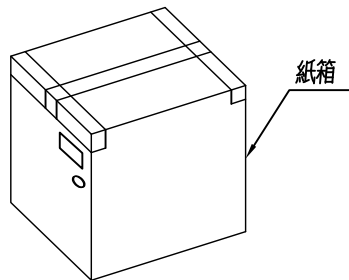


TABLE A

	PK-BOX002	F-008(1.02吋高)	L=415mm,W=297mm,H=242mm
✓	PK-BOX003	F-009(0.4吋高)	L=373mm,W=233mm,H=133mm
	PK-BOX004	F-010(0.7吋高)	L=333mm,W=236mm,H=221mm
	PK-BOX018	硬紙箱0.4吋	L=373mm,W=233mm,H=133mm
	PK-BOX019	紙箱1.06吋(全不中吋)	L=321mm,W=267mm,H=345mm
	P/N	包材名稱	備註



DRAWN	Emily Suen	APP'D	Ku Chou	UNIT	mm	TOLERANCE		TITLE	TABLE A			SHEET
CHK'D	Emily Suen			SCALE	1:1	.x ±0.20 .xx ±0.10 .xxx ±0.05 .xxxx ±0.03 ANGULA ±1°		PART NO.	TABLE A	DWG NO.	QC0699	

VERSION B