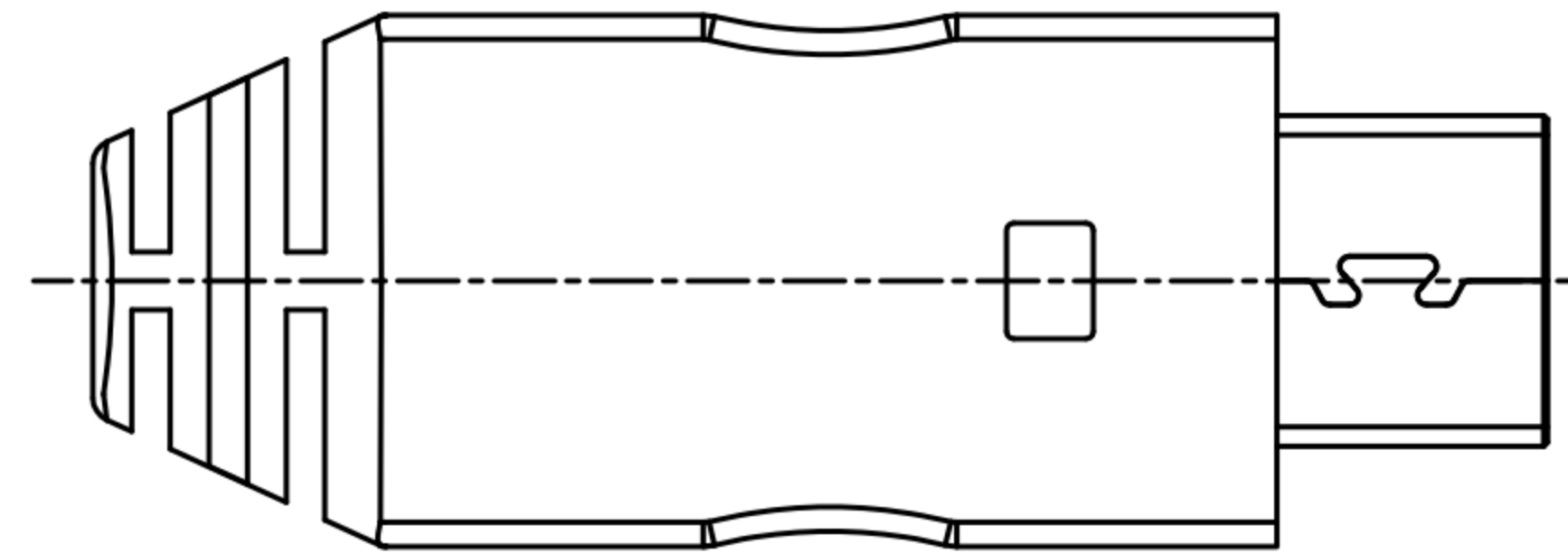
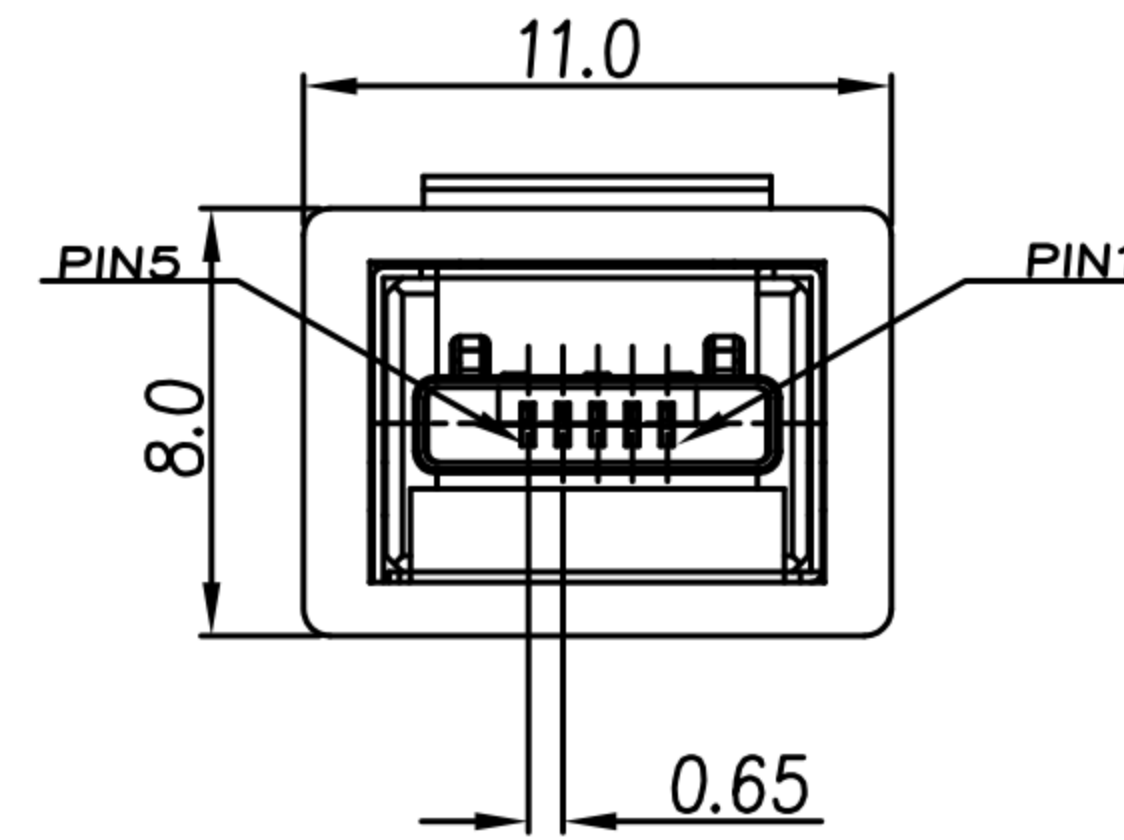
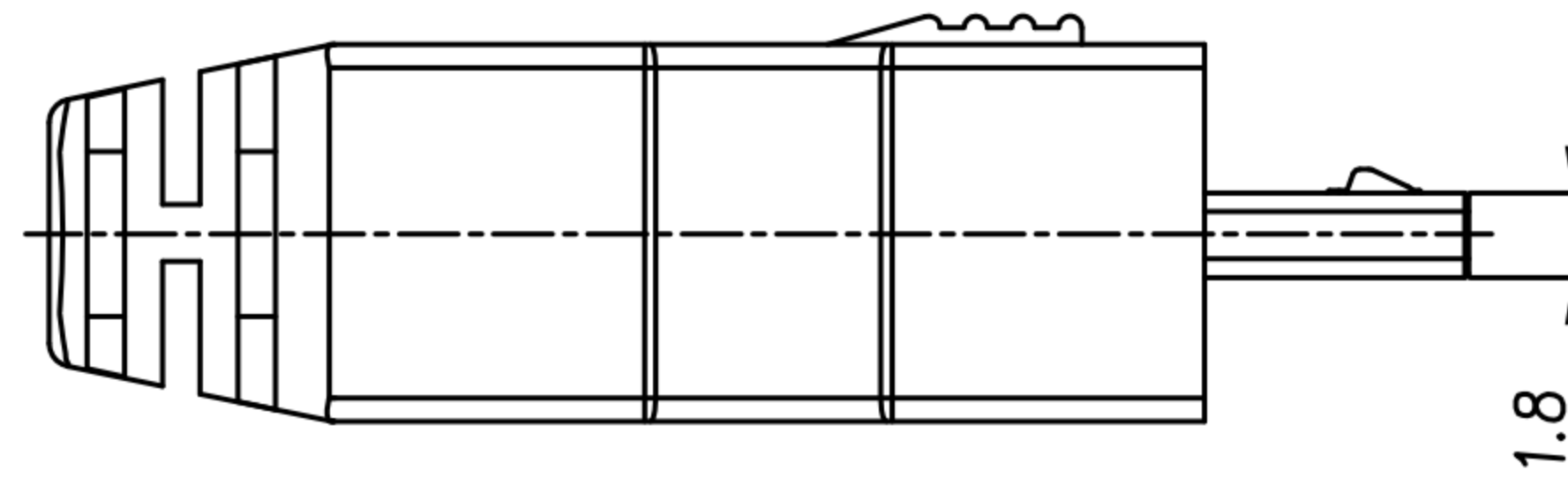
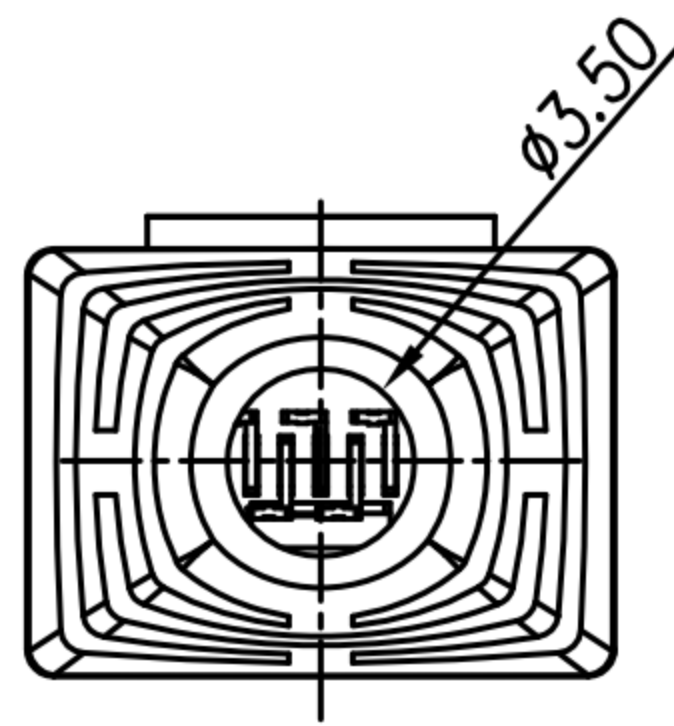
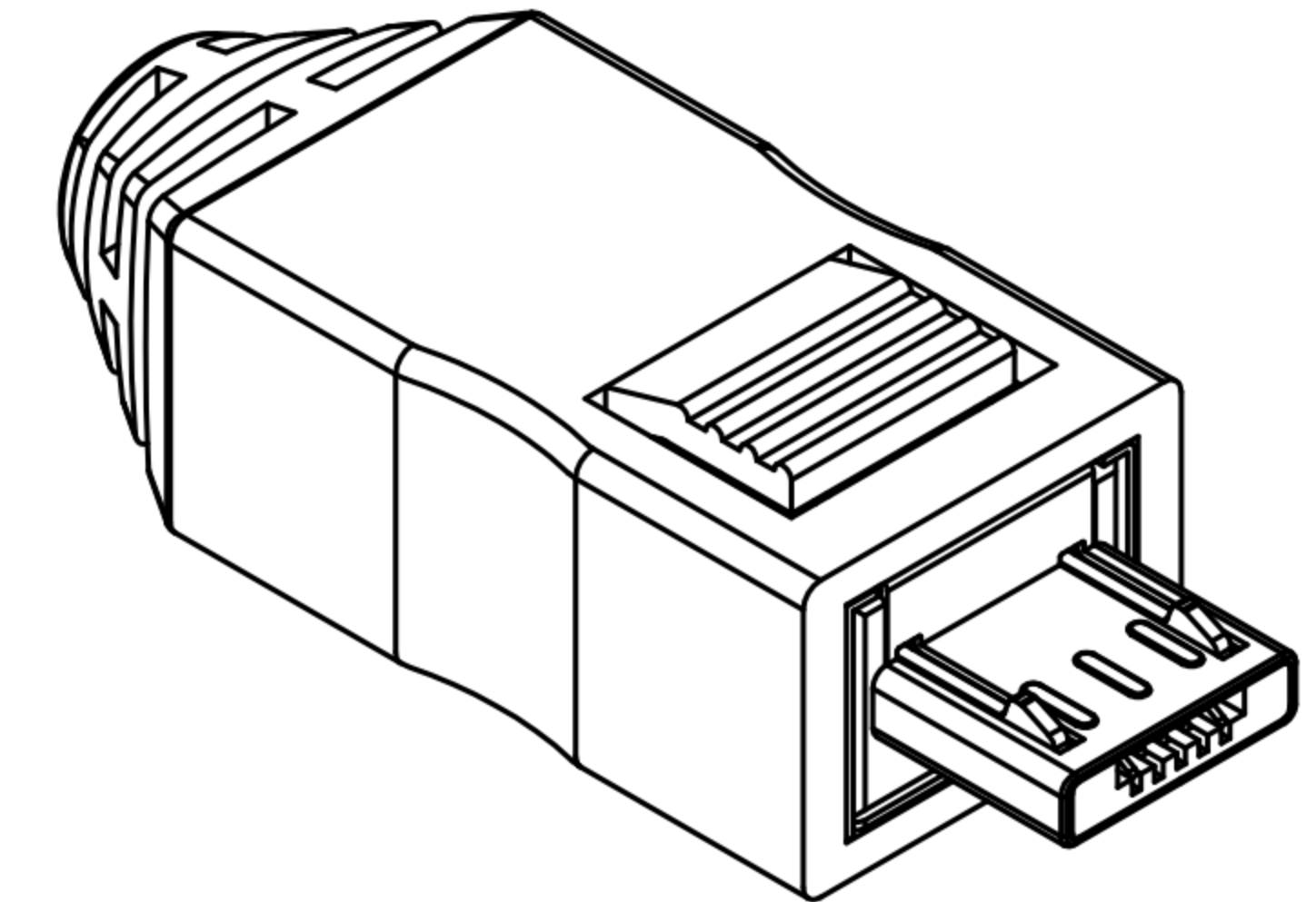
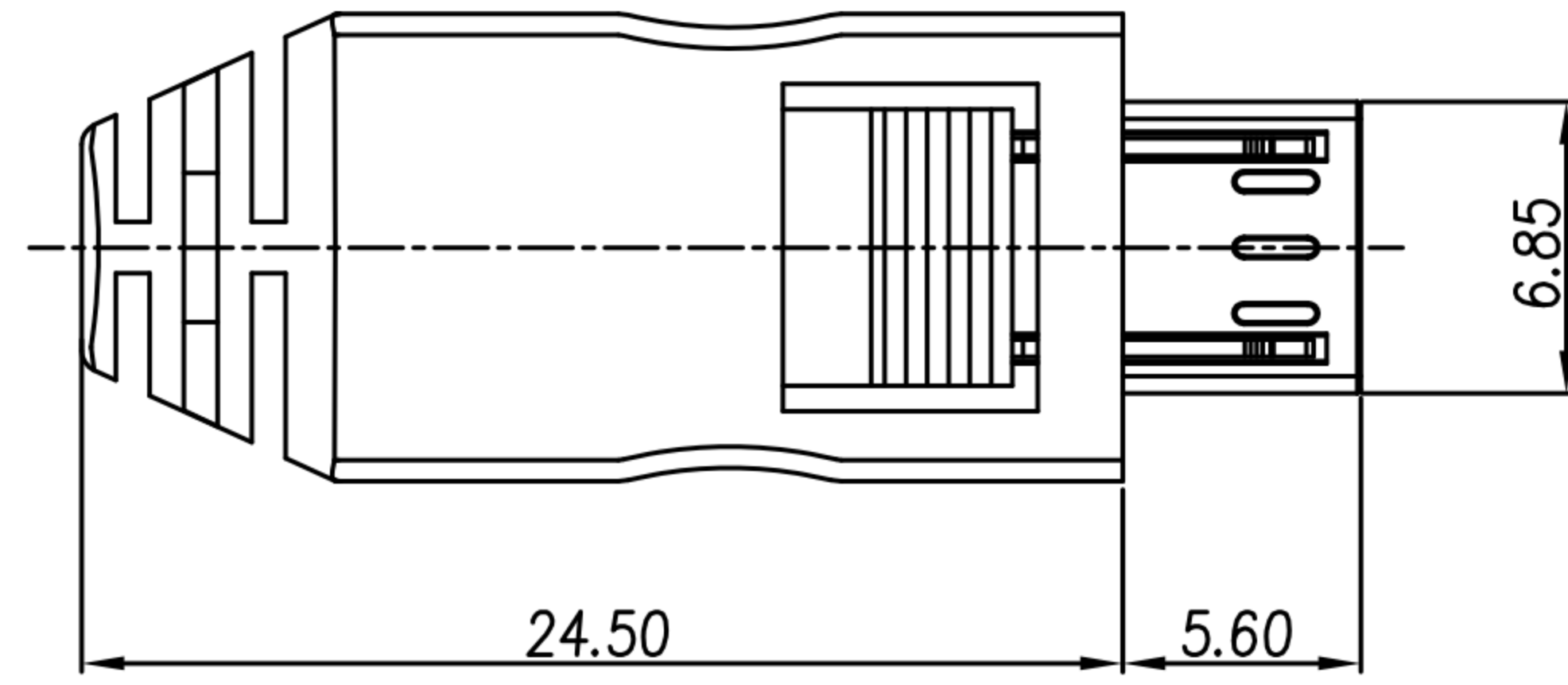


CUSTOMER DRAWING  
ASSEMBLY DRAWING

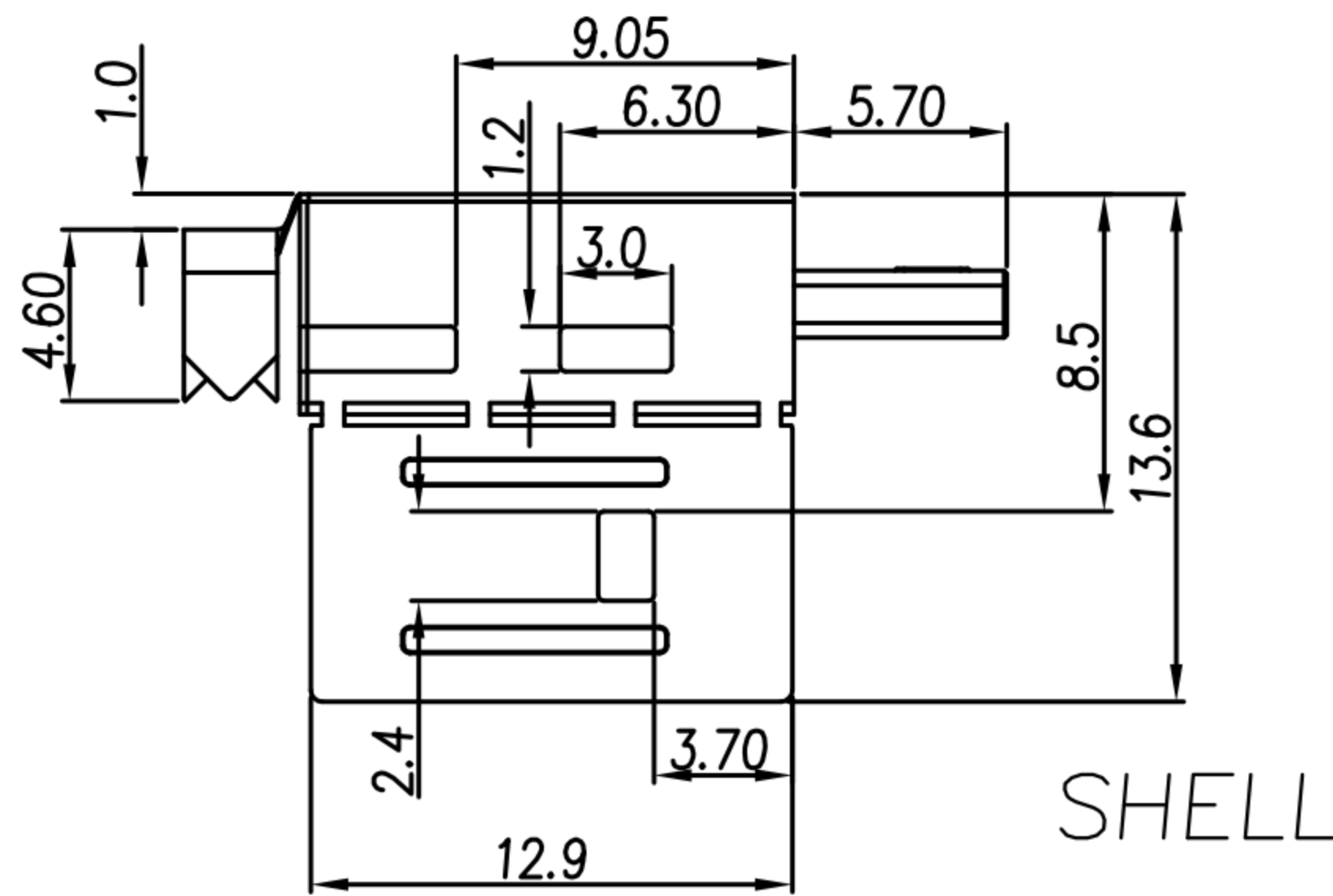
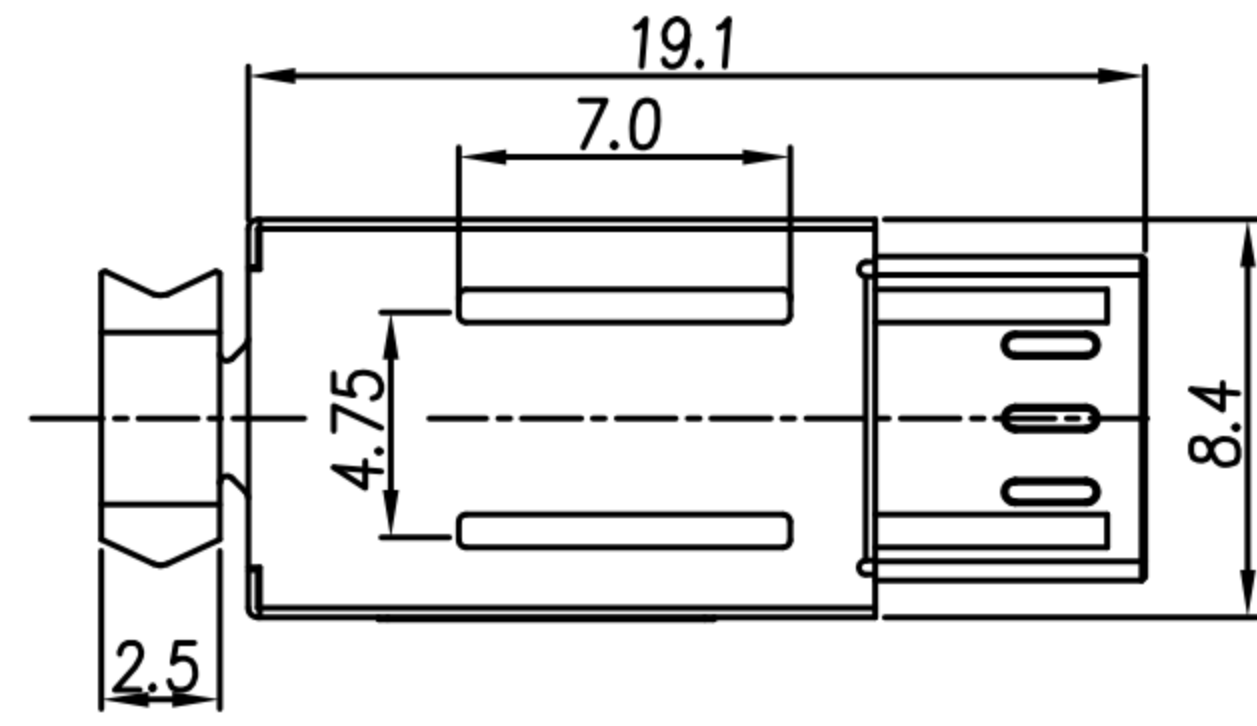
| REV. | DESCRIPTION | APPROVED BY | DATE      | ECN NO. |
|------|-------------|-------------|-----------|---------|
| A    | RELEASE     | Fido Weng   | 17/02/09* |         |
| T    |             |             |           |         |
| J    |             |             |           |         |



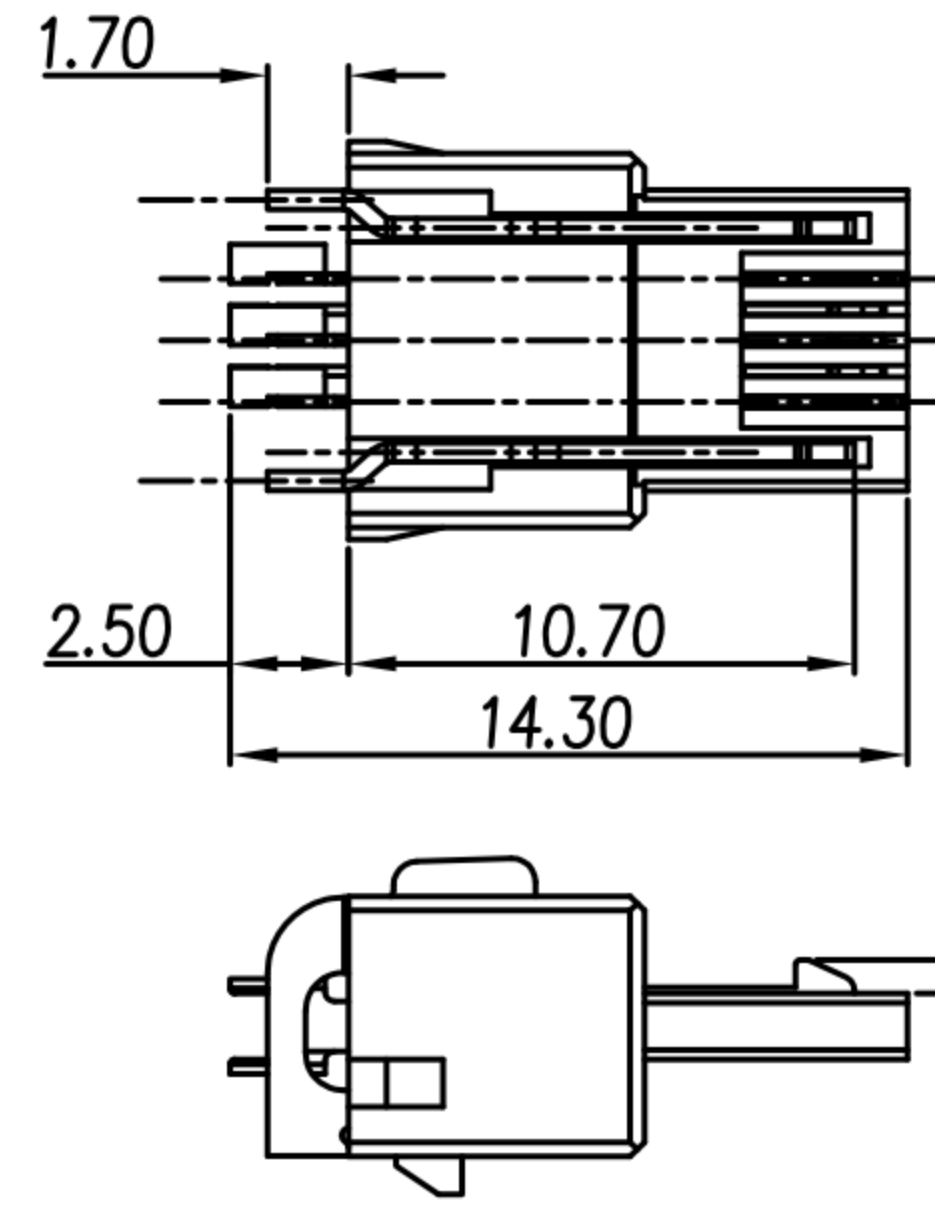
|       |            |       |         |       |     |  |  |  |          |                          |         |        |         |   |
|-------|------------|-------|---------|-------|-----|--|--|--|----------|--------------------------|---------|--------|---------|---|
| DRAWN | Jen Xie    | APP'D | Ku Chou | UNIT  | mm  | TOLERANCE  |  | 广东科斯达电子科技有限公司<br>GUANG DONG KE SI DA ELECTRONIC TECHNOLOGY CO., LTD. | TITLE    | MICRO USB 5PIN(M) A TYPE |         |        | SHEET   | 2 |
| CHK'D | Emily Suen |       |         | SCALE | 1:1 | .x ±0.20<br>.xx ±0.10<br>.xxx ±0.05<br>.xxxx ±0.03<br>ANGULA ±1° |  |  | PART NO. | SEE TABLE A              | DWG NO. | QC2548 | VERSION | H |

CUSTOMER DRAWING

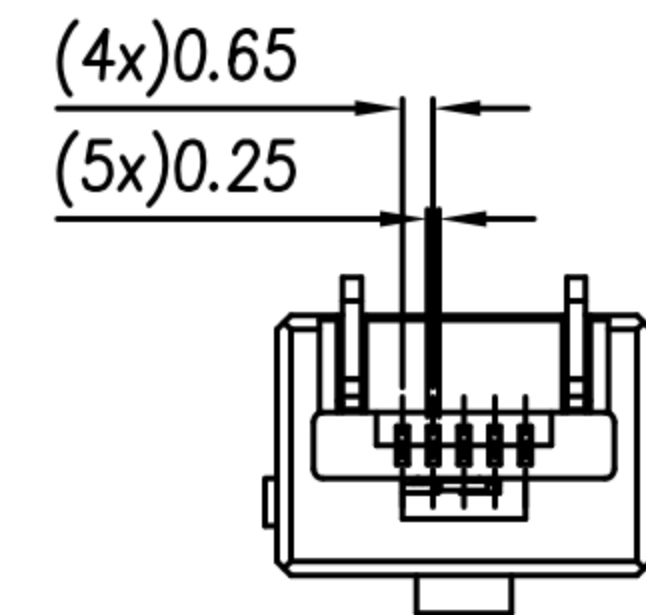
| REV. | DESCRIPTION | APPROVED BY | DATE      | ECN NO. |
|------|-------------|-------------|-----------|---------|
| A    | RELEASE     | Fido Weng   | 17/02/09* |         |
| B    |             |             |           |         |
| C    |             |             |           |         |



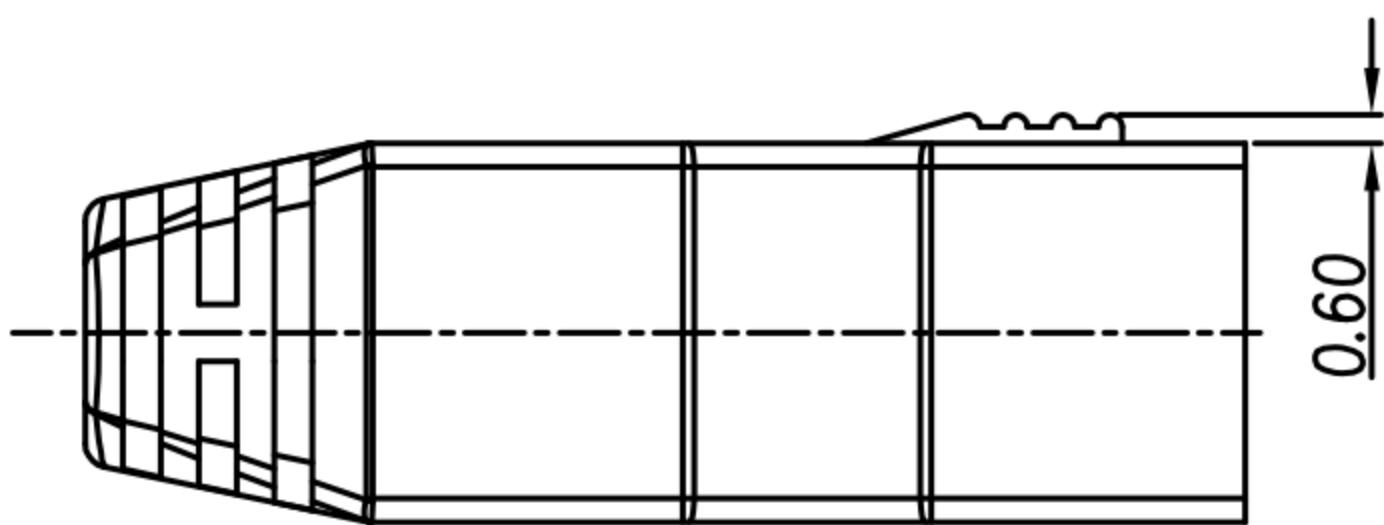
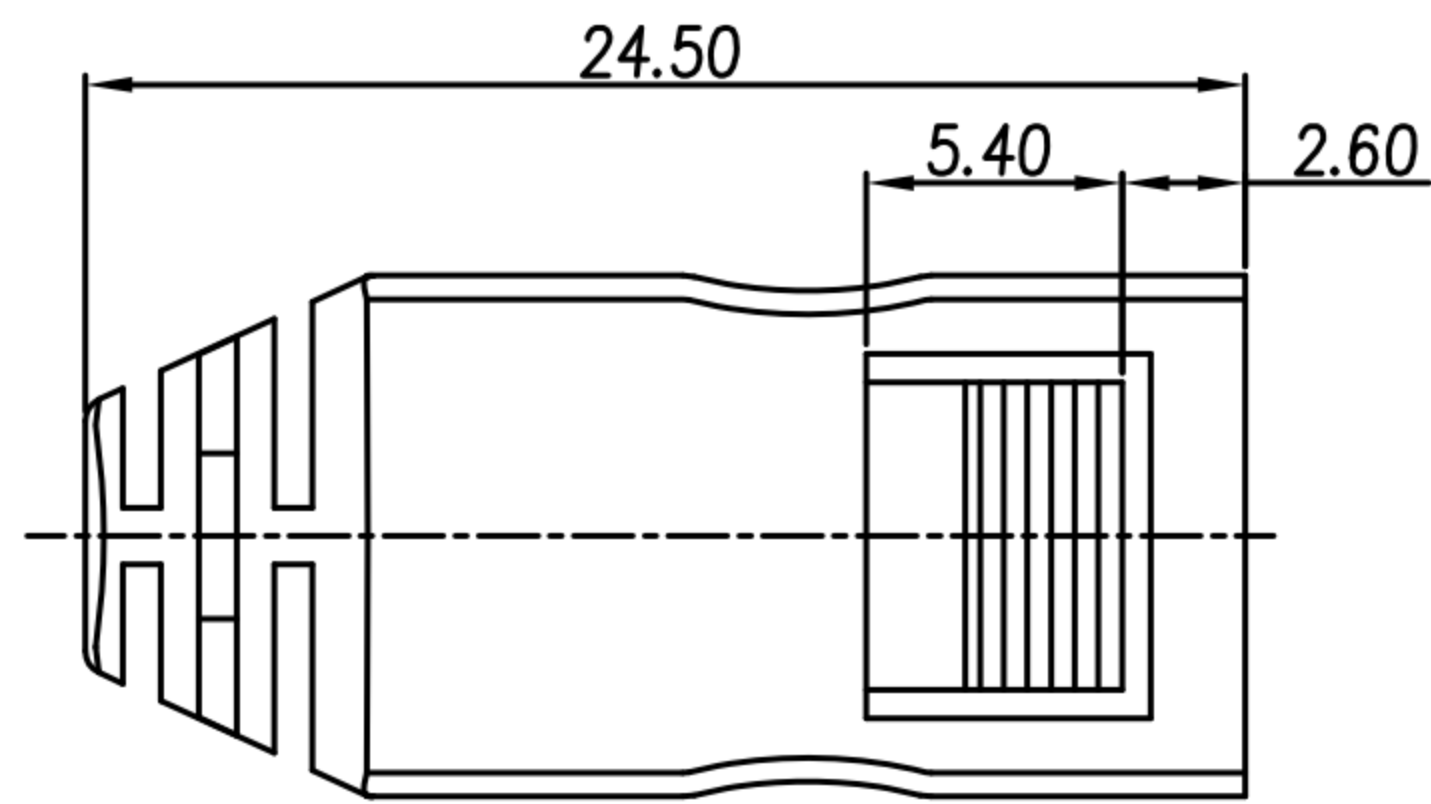
SHELL



HOUSING+PIN+LATCH



- MATERIAL :
  - 1-1. HOUSING : NYLON ; COLOR : SEE TABLE A
  - 1-2. COVER : NYLON ; COLOR : BLACK.
  - 1-3. CONTACT : PHOSPHOR BRONZE.
  - 1-4. SHELL : STAINLESS STEEL
  - 1-5. LATCH : STAINLESS STEEL
- FINISH :
  - 2-1. CONTACT : SEE TABLE A MIN ON CONTACT AREA, TIN 100u" MIN ON SOLDER TAILS, UNDERPLATED NICKEL OVER ALL
  - 2-2. SHELL : SEE TABLE A



COVER

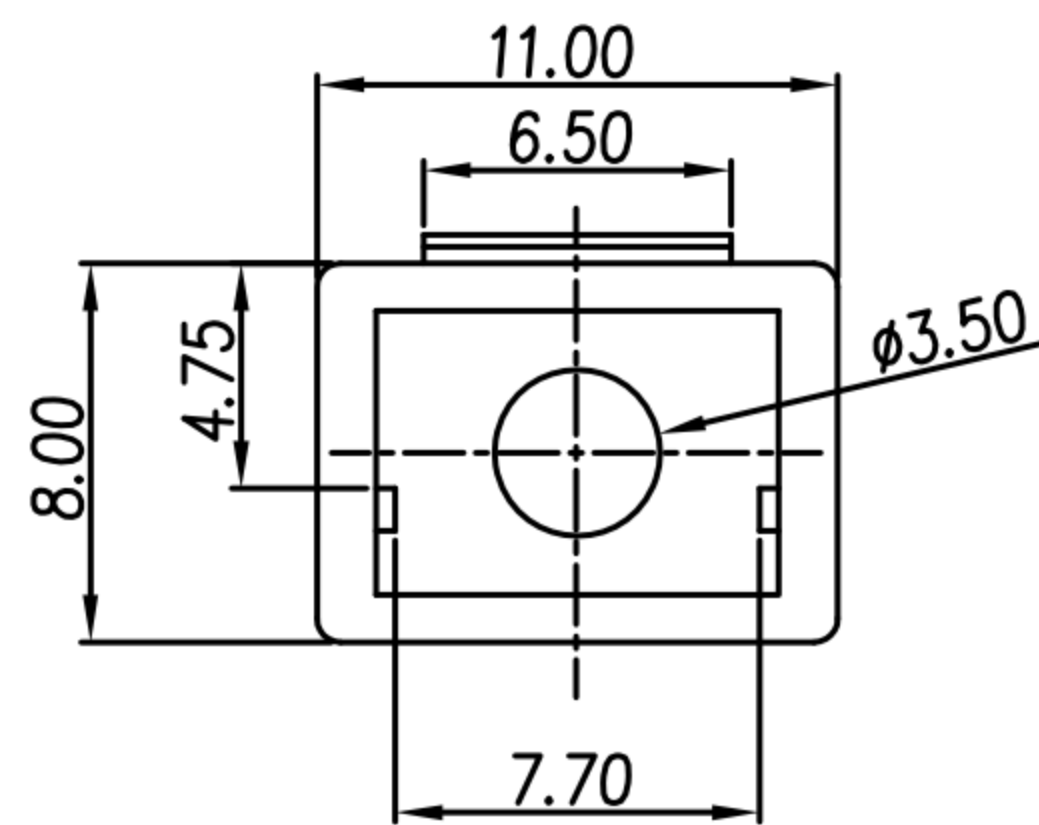


TABLE A

| P/N        | DESCRIPTION   | COLOR |
|------------|---|-------|
| MU-05M4-11 | PIN : GOLD 30u" MIN ON CONTACT AREA, BRIGHT TIN 100u" MIN ON SOLDER TAILS, UNDERPLATED NICKEL OVER ALL<br>SHELL : OFF WITH GREASINESS | BLACK |
| MU-05M4-05 | PIN : GOLD 15u" MIN ON CONTACT AREA, BRIGHT TIN 100u" MIN ON SOLDER TAILS, UNDERPLATED NICKEL OVER ALL<br>SHELL : OFF WITH GREASINESS | BLACK |
| MU-05M4-07 | PIN : GOLD 15u" MIN ON CONTACT AREA, BRIGHT TIN 100u" MIN ON SOLDER TAILS, UNDERPLATED NICKEL OVER ALL<br>SHELL : GOLD FLASH          | WHITE |
| P/N        | DESCRIPTION   | COLOR |

|       |            |       |         |       |     |           |  |  |  |          |                          |         |        |         |     |
|-------|------------|-------|---------|-------|-----|-----------|--|--|--|----------|--------------------------|---------|--------|---------|-----|
| DRAWN | Jen Xie    | APP'D | Ku Chou | UNIT  | mm  | TOLERANCE |  |  |  | TITLE    | MICRO USB 5PIN(M) A TYPE |         |        | SHEET   | 1/2 |
| CHK'D | Emily Suen |       |         | SCALE | 1:1 |           |  |  |  | PART NO. | SEE TABLE A              | DWG NO. | QC2548 | VERSION | H   |