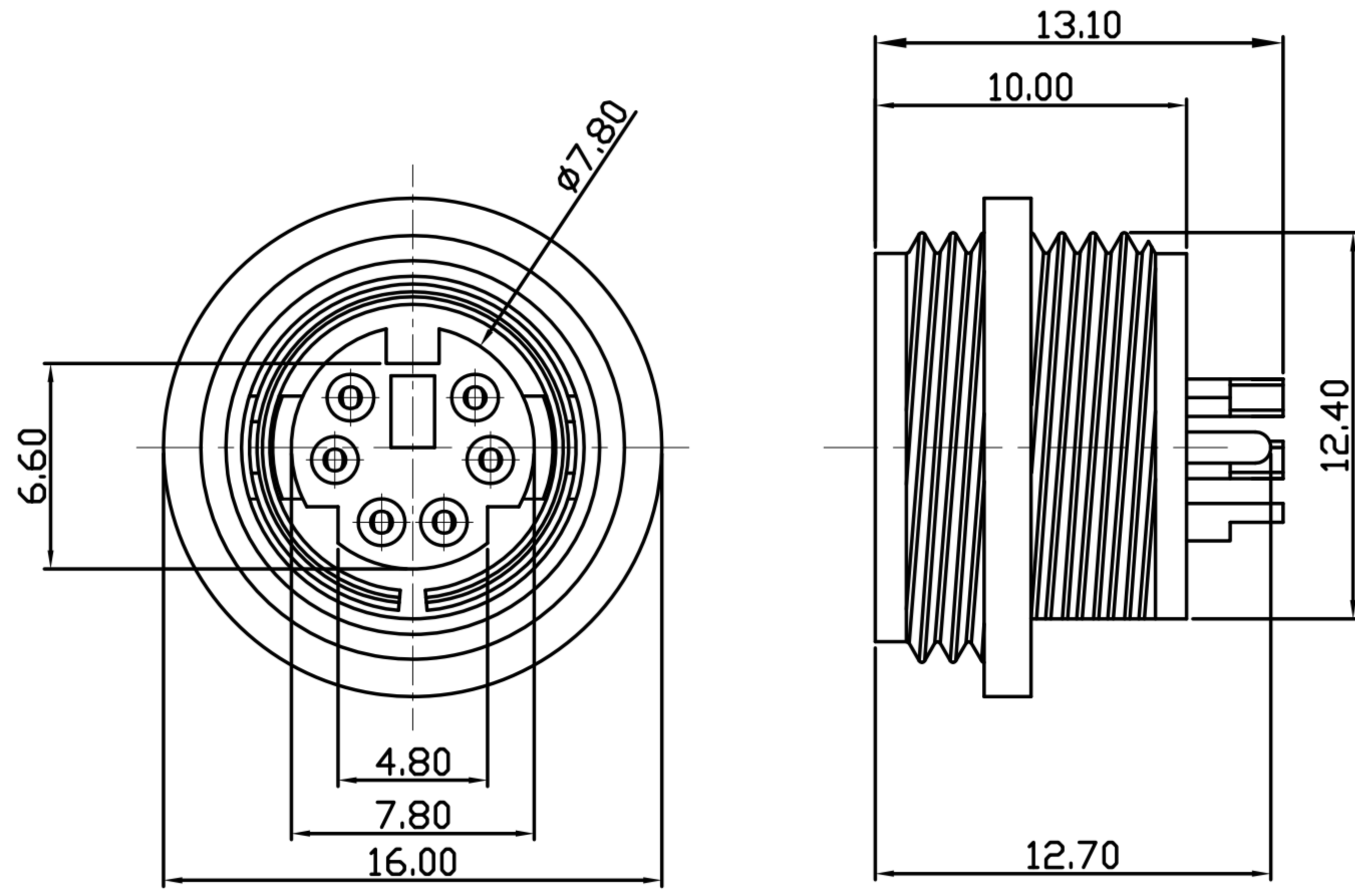


CUSTOMER DRAWING

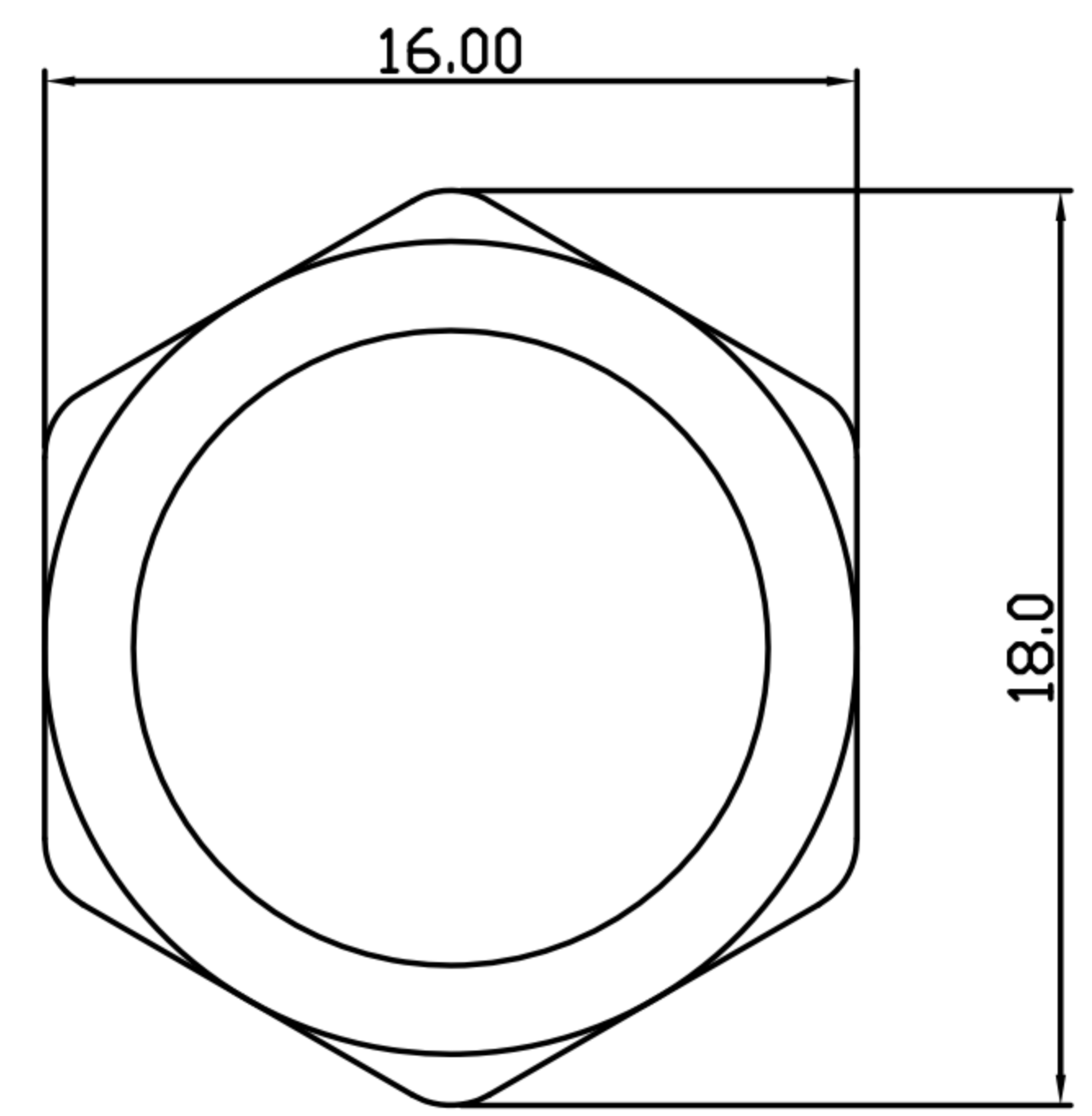
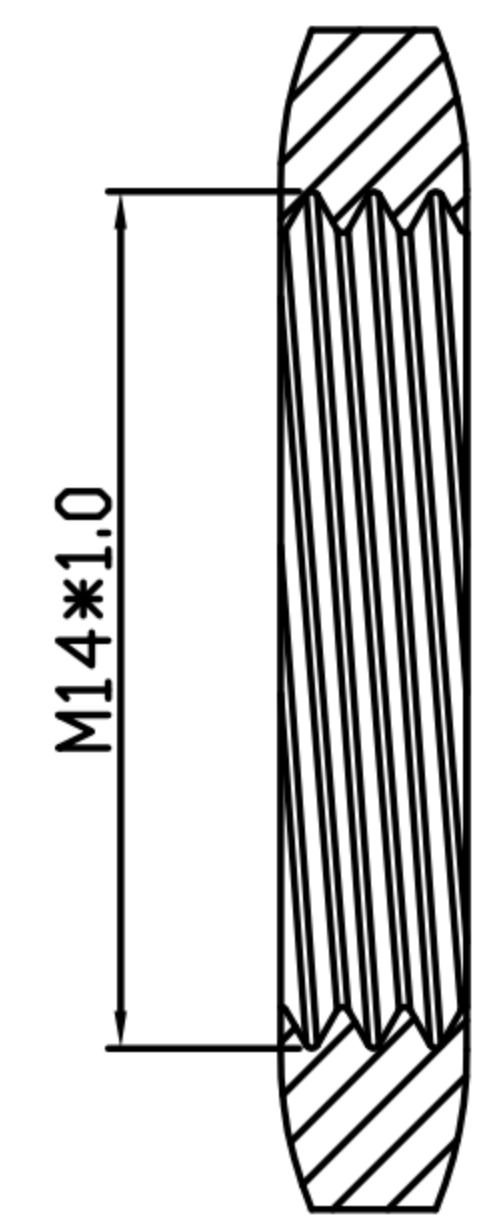
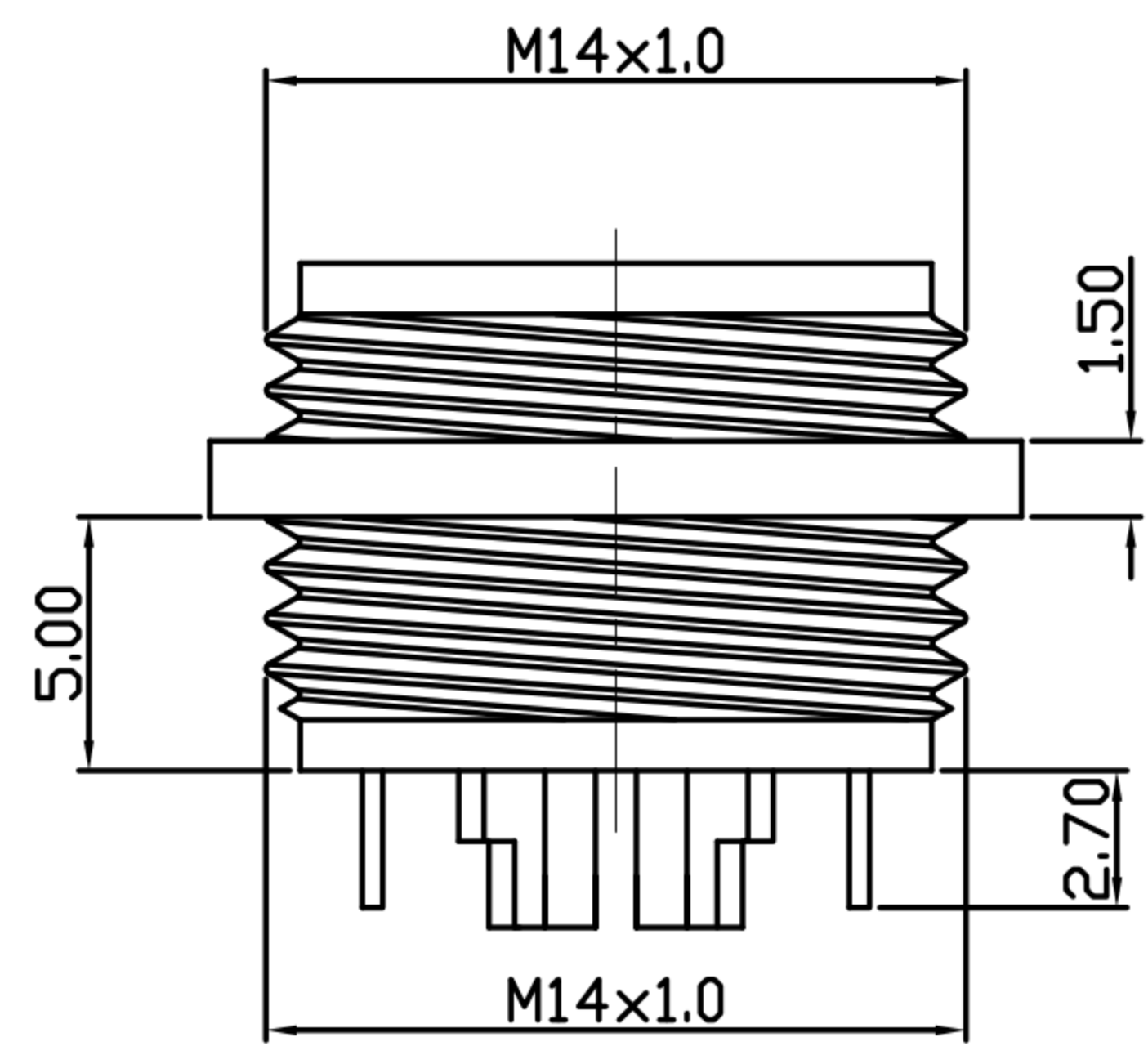
REV.	DESCRIPTION	APPROVED BY	DATE	ECN NO.
A	RELEASE	Fido Weng	22/12/08'	
B				
C				



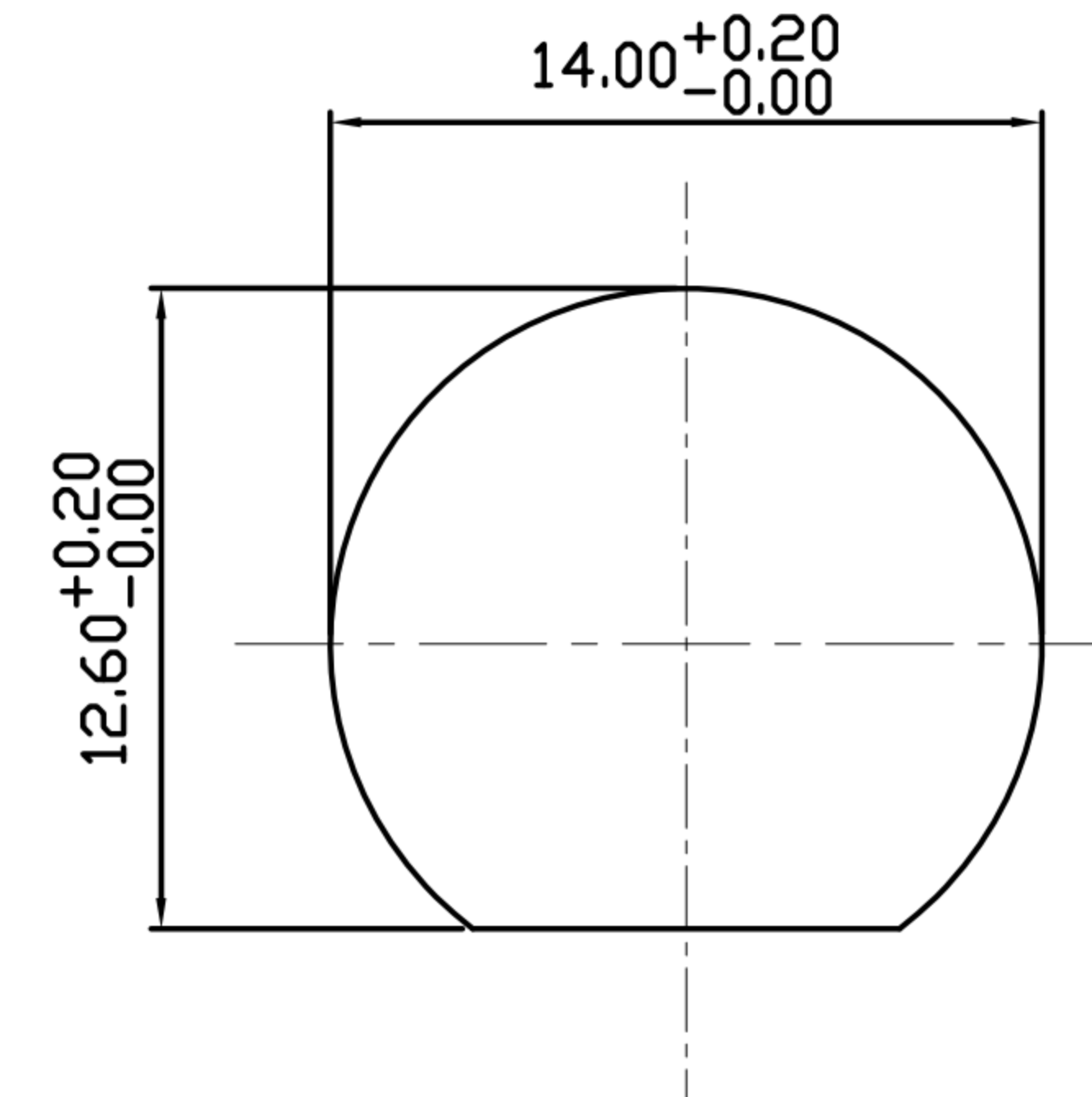
- MATERIAL :
 - 1-1. HOUSING : PBT UL94V-0 ; COLOR : BLACK
 - 1-2. CONTACT : PHOSPHOR BRONZE
 - 1-3. SHELL : BRASS
 - 1-4. NUT : PBT
- FINISH :
 - 2-1. CONTACT : SILVER 30u" ON OVER ALL
UNDER PLATE : NICKEL
 - 2-2. SHELL : NICKEL PLATED 60u" ~ 100u" OVER ALL

TABLE A

MD-04F2-14-11	MD-06F3-09	MD-08F2-02-11



NUT



PANEL CUT-OUT

DRAWN	Yeh Chou	APP'D	Ku Chou	UNIT	mm	TOLERANCE			TITLE	MiniDin 6(F) SOCKET SCREW TYPE			SHEET	
CHK'D	Emily Suen			SCALE	1:1				PART NO.	SEE TABLE A	DWG NO.	QC5497	VERSION	

广东科斯达电子科技有限公司
GUANG DONG KE SI DA ELECTRONIC TECHNOLOGY CO., LTD.