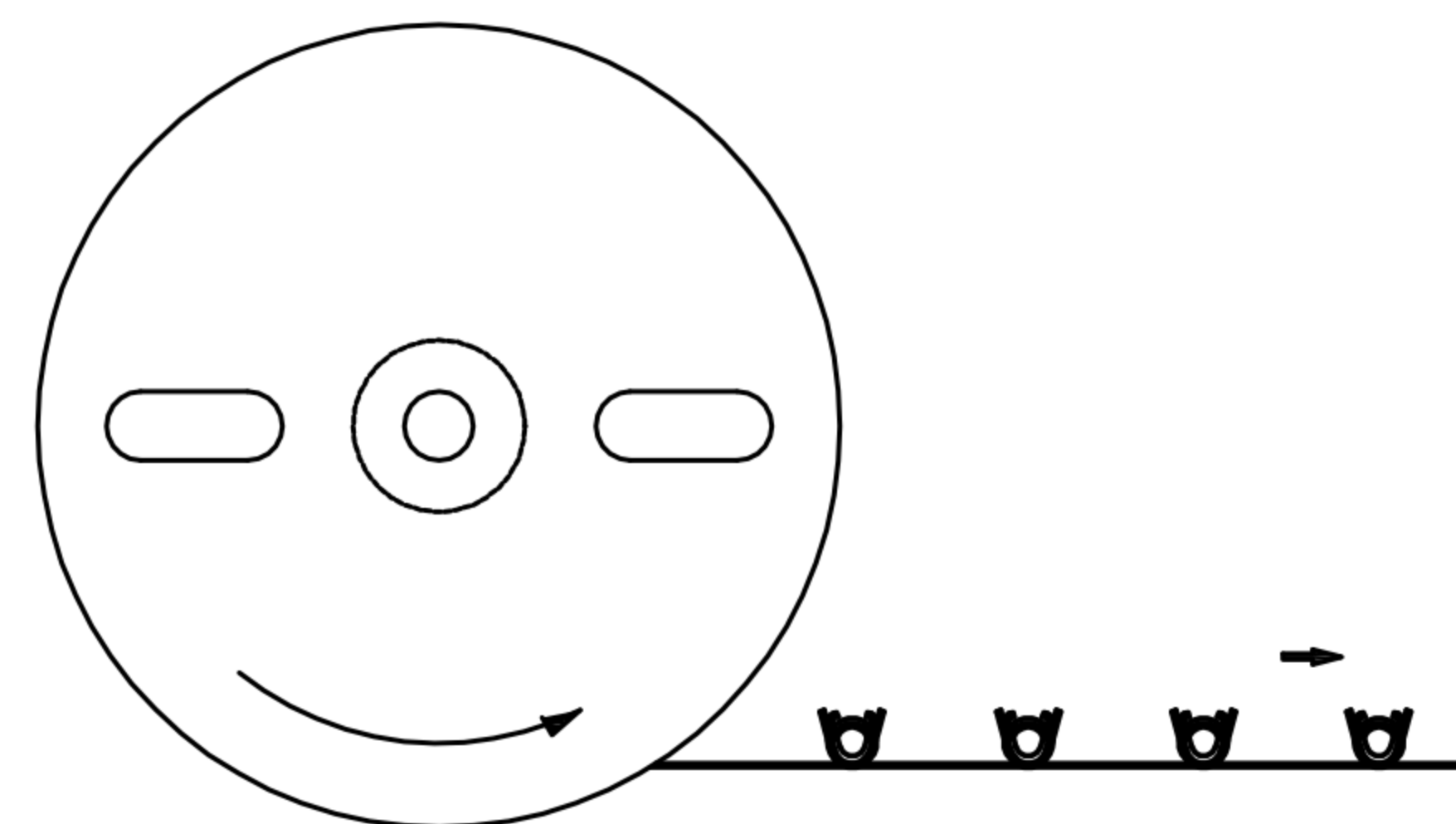
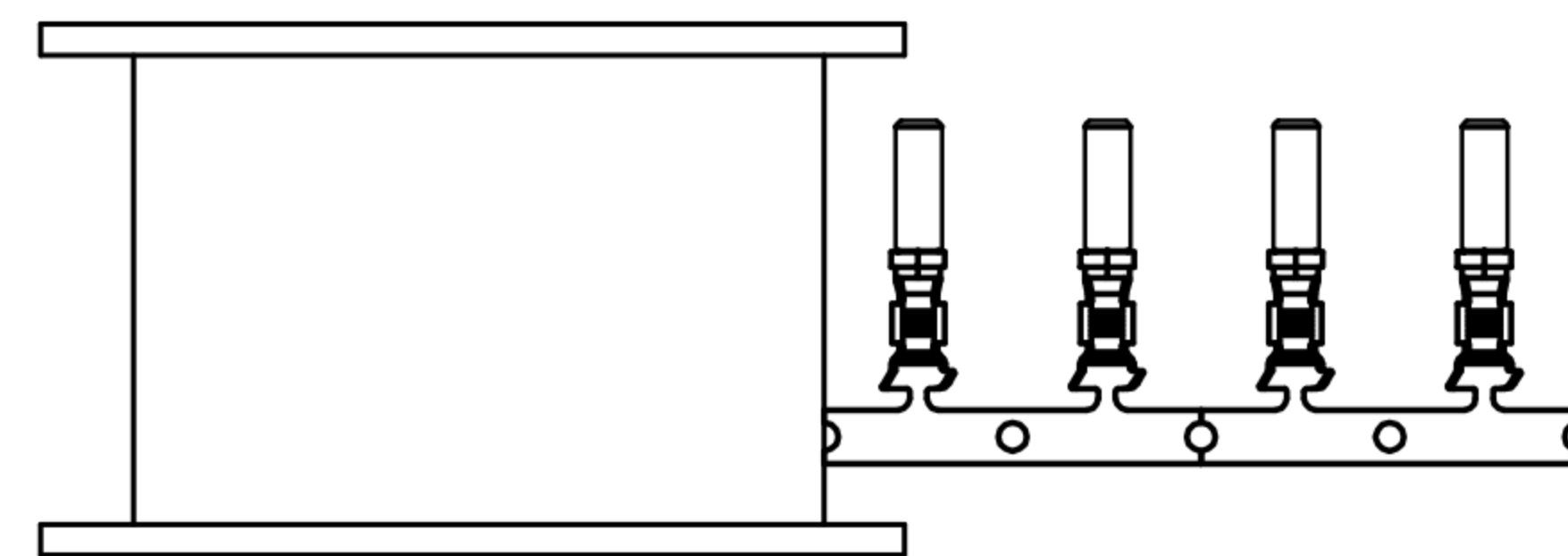
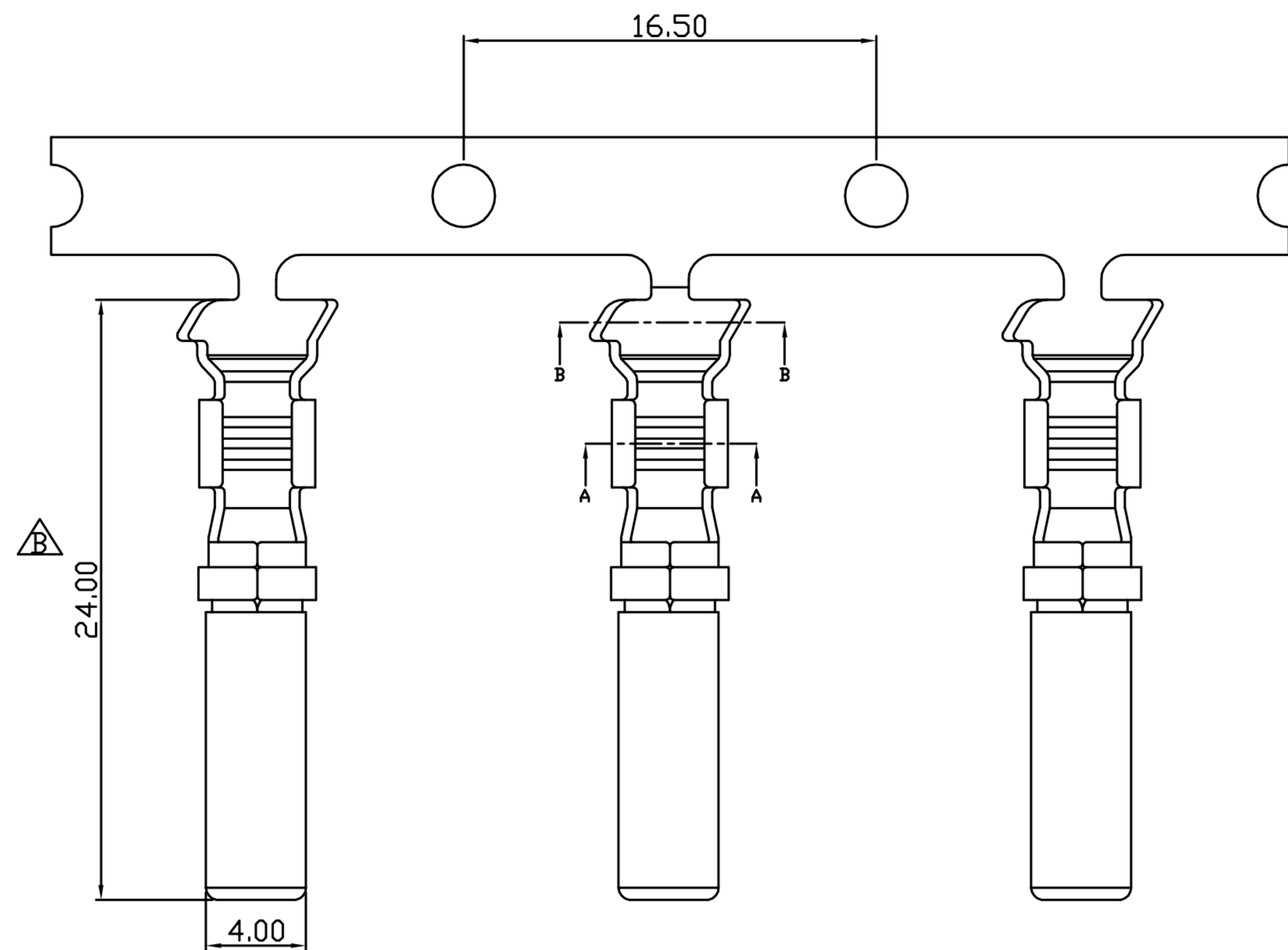


CUSTOMER DRAWING

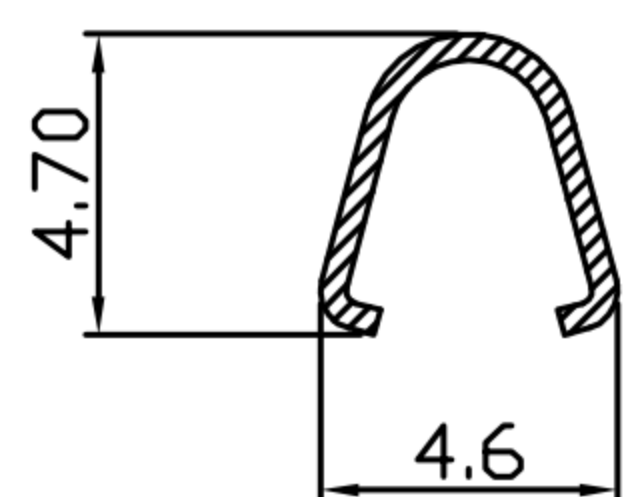
REV.	DESCRIPTION	APPROVED BY	DATE	ECN NO.
△A	RELEASE	Fido Weng	12/07/13''	
△B	修改尺寸	Fido Weng	22/07/13''	
△C				



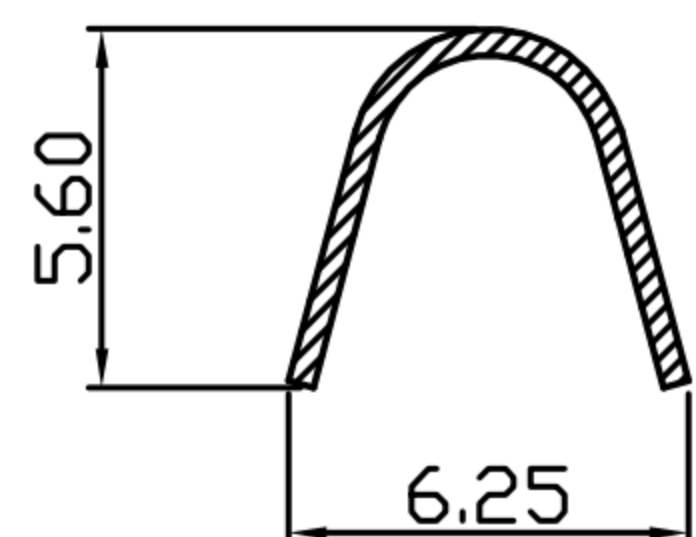
PULL OUT DIRECTION

TABLE A/表A

NY-WP1990-00	GOLD FLASH/表金
NY-WP376	MATTE TIN 80u" ON OVER ALL



SECTION A-A



SECTION B-B

- MATERIAL :
  - CONTACT : PHOSPHOR BRONZE
  - SHELL : STAINLESS STEEL
- FINISH :
  - CONTACT : SEE TABLE A/见表A

DRAWN	Yeh Chou	APP'D	Ku Chou	UNIT	mm	TOLERANCE			TITLE	防水頭6PIN(F)端子半成品(Crimp PIN)			SHEET	
CHK'D	Yeh Chou			SCALE	1:1	.x ±0.20 .xx ±0.10 .xxx ±0.05 .xxxx ±0.03 ANGULA ±1°			PART NO.	SEE TABLE A	DWG NO.	QC5428	VERSION	