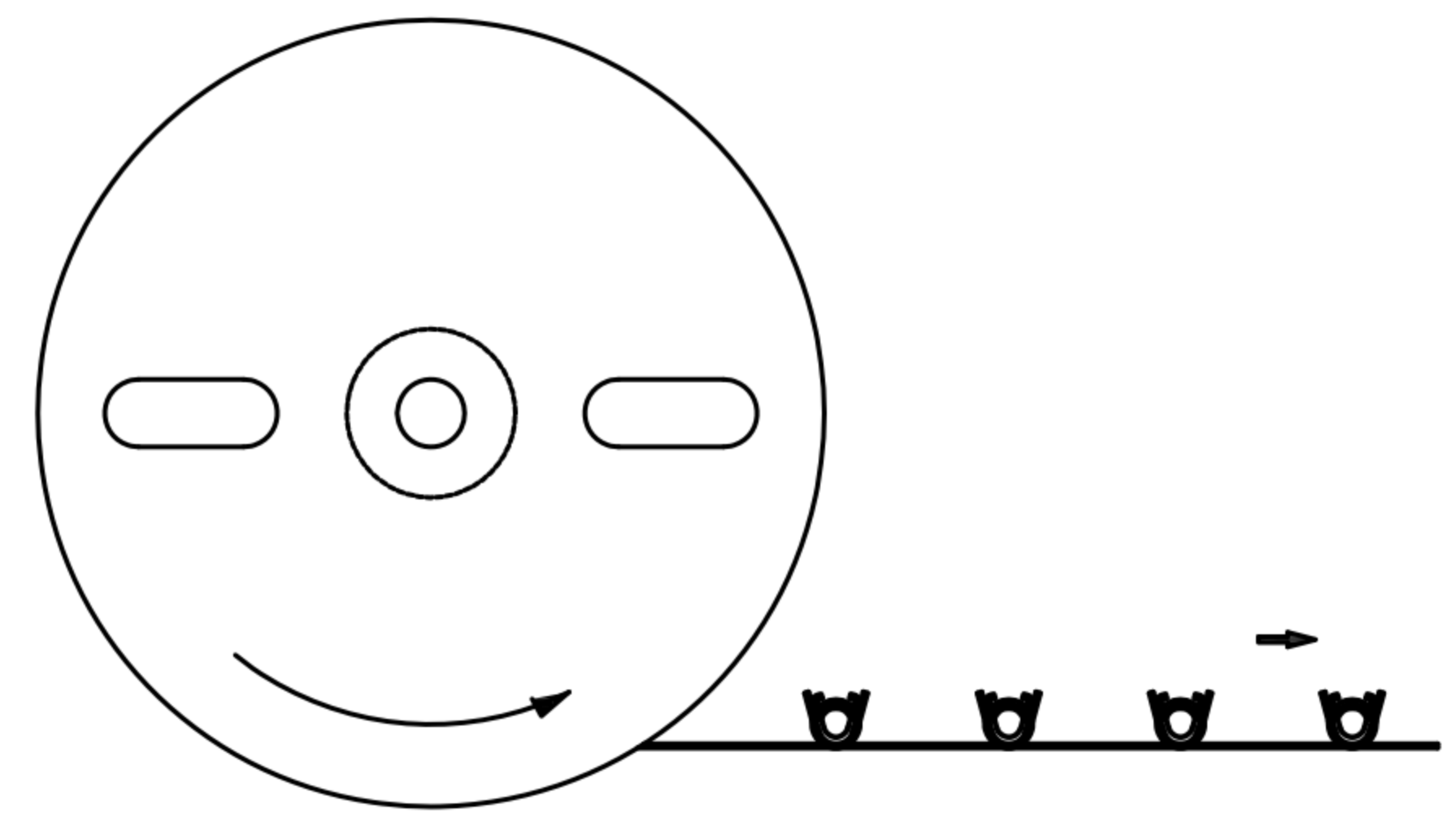
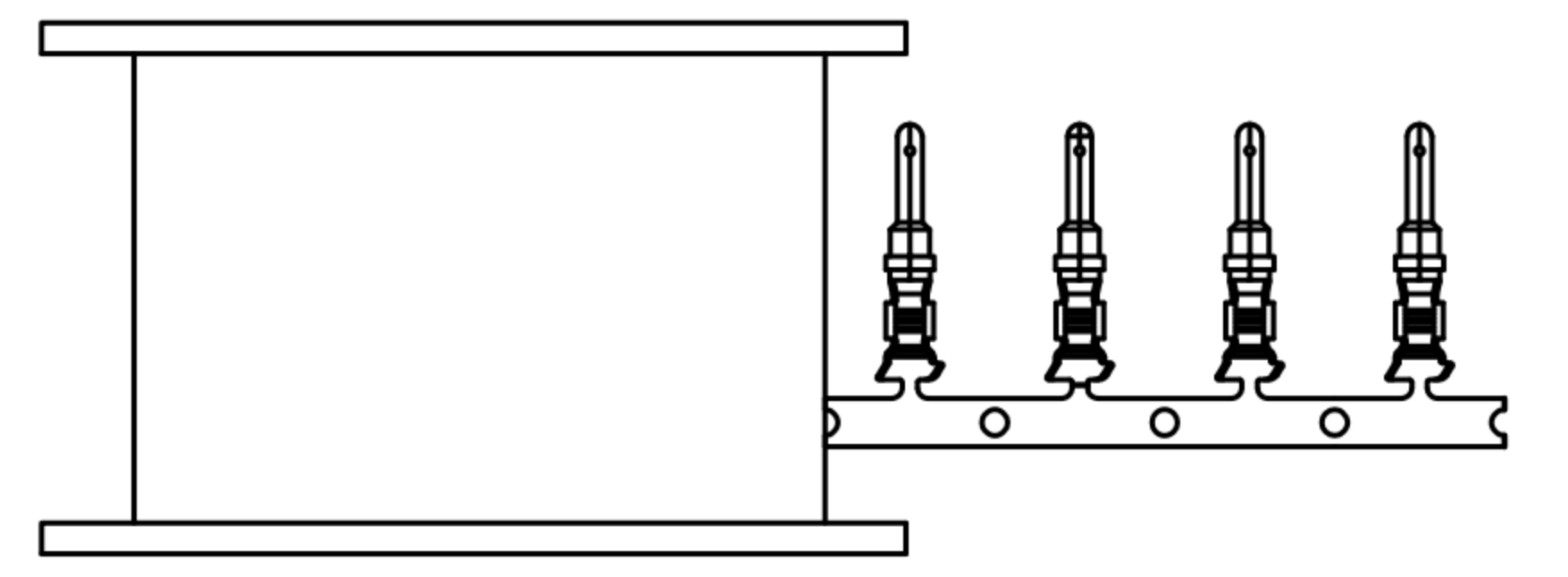
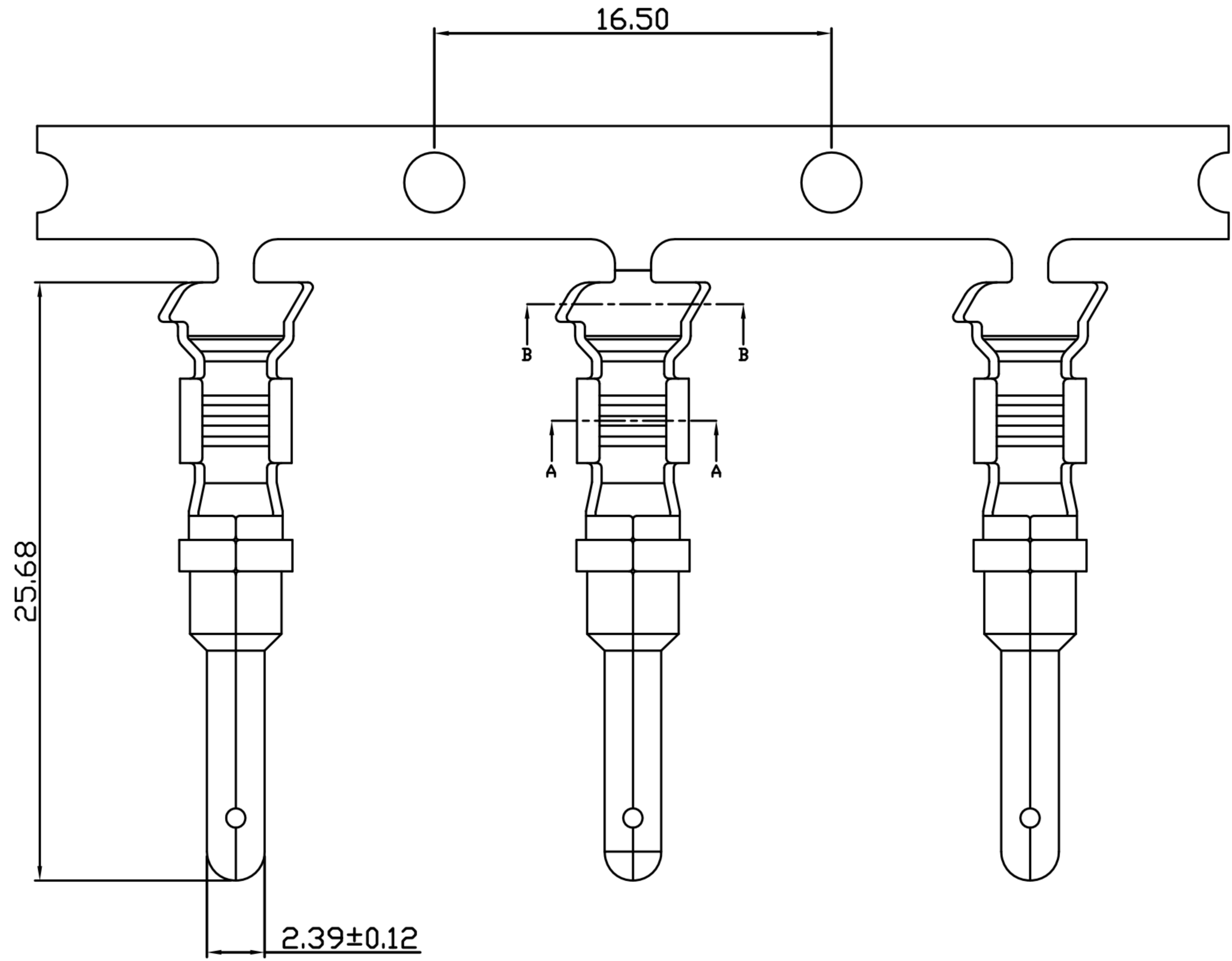
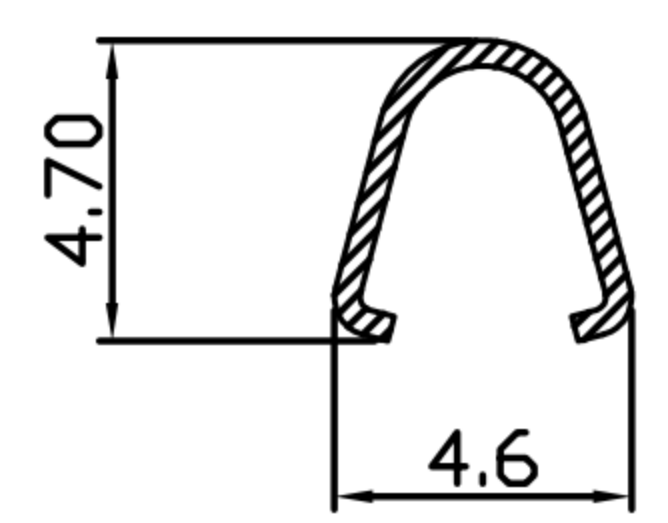


CUSTOMER DRAWING

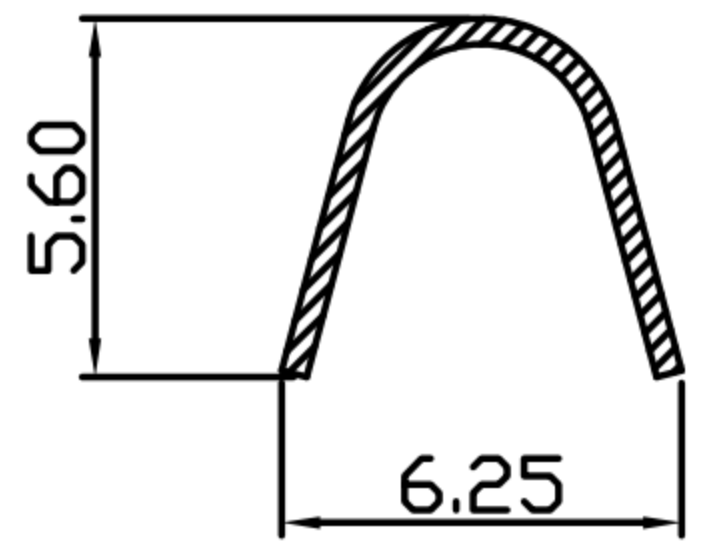
REV.	DESCRIPTION	APPROVED BY	DATE	ECN NO.
△A				
△B				
△C				



PULL OUT DIRECTION



SECTION A-A



SECTION B-B

1. MATERIAL :
 - 1-1. CONTACT A : PHOSPHOR BRONZE
2. FINISH :
 - 2-1. CONTACT A : MATTE TIN 80u" ON OVER ALL
 - UNDERPLATED :NICKEL 60u" ON OVER ALL

DRAWN	Yeh Chou	APP'D	Ku Chou	UNIT	mm	TOLERANCE		广东科斯达电子科技有限公司 GUANG DONG KE SI DA ELECTRONIC TECHNOLOGY CO., LTD.	TITLE	防水頭6PIN(M)端子(φ4.7*20.5)(Crimp PIN)			SHEET	1 VERSION A
CHK'D	Yeh Chou			SCALE	1:1	.x ±0.20 .xx ±0.10 .xxx ±0.05 .xxxx ±0.03 ANGULA ±1°			PART NO.	QY-WP0483	DWG NO.	QC5431		