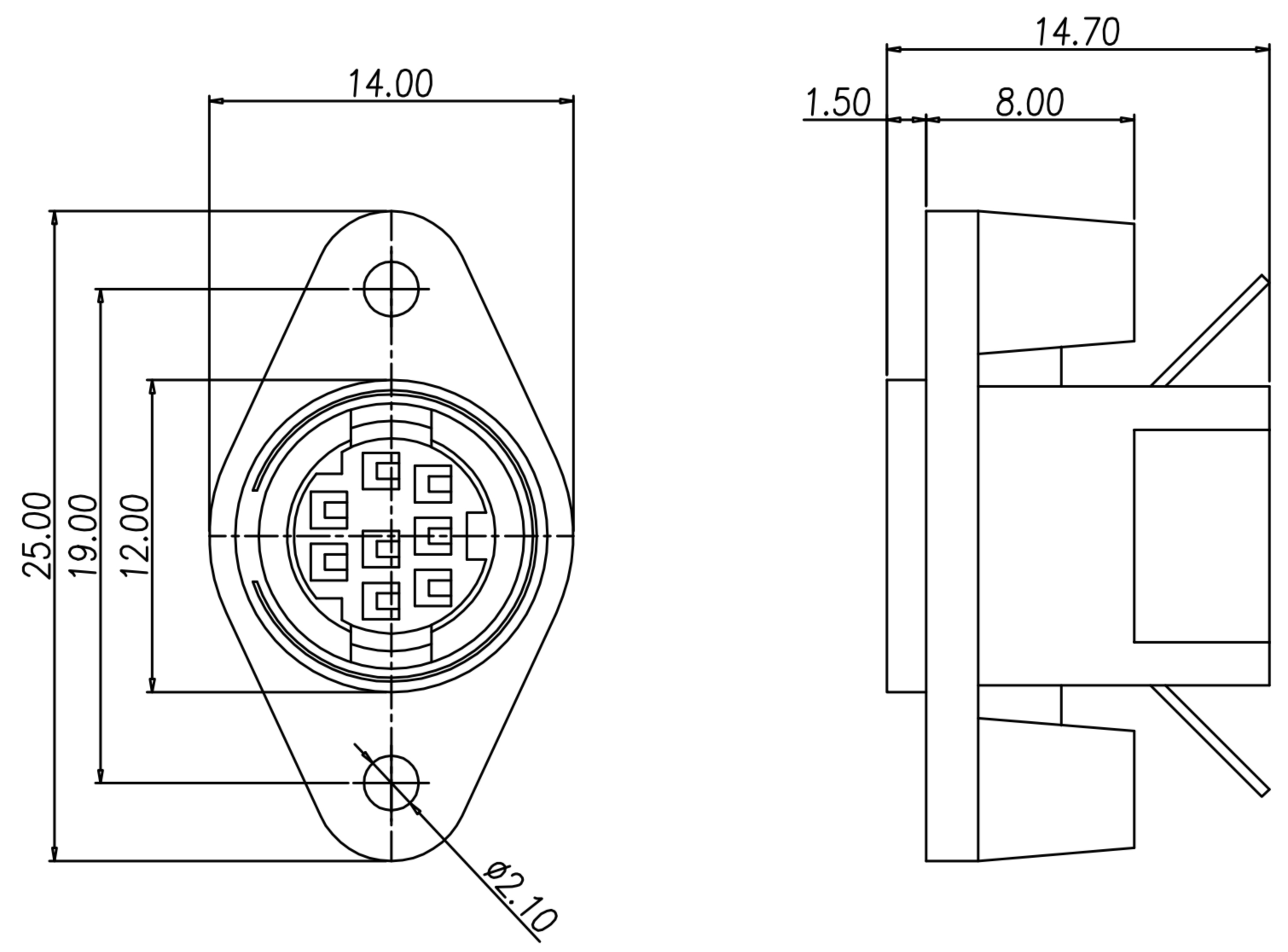


CUSTOMER DRAWING

REV.	DESCRIPTION	APPROVED BY	DATE	ECN NO.
A	RELEASE	Emily Suen	07/12/2011'	
B	更新	yeh	09/07/2020'	
C				



1. MATERIAL :
 - 1-1. HOUSING : PBT UL94V-0 ; COLOR : BLACK
 - 1-2. SHELL : BRASS
2. FINISH :
 - 2-1. SHEL : BRIGHT TIN 60u" ON OVER ALL
3. ELECTRICAL SPECIFICATION :
 - 3-1. Rated current : 1A
 - 3-2. Voltage : 100V AC
4. Environmental :
 - 4-1. Operation Temperature : -20℃~+85℃

<p>NY-DM910-01</p>	<p>NY-DM911-01</p>	<p>NY-DM912-01</p>	<p>NY-DM898-01</p>	<p>NY-DM913-01</p>	<p>NY-DM914-01</p>
--------------------	--------------------	--------------------	--------------------	--------------------	--------------------

<table border="1"> <tr> <td>DRAWN</td> <td>Yeh Chou</td> <td rowspan="2">APP'D</td> <td rowspan="2">Ku Chou</td> <td>UNIT</td> <td>mm</td> <td>TOLERANCE</td> <td rowspan="2"> </td> <td rowspan="2"> </td> <td rowspan="2"> 广东科斯达电子科技有限公司 GUANG DONG KE SI DA ELECTRONIC TECHNOLOGY CO., LTD. </td> <td>TITLE</td> <td colspan="3">MINI DIN(F)雙耳鎖板式(半成品)</td> <td>SHEET</td> <td>1</td> </tr> <tr> <td>CHK'D</td> <td>Emily Suen</td> <td>SCALE</td> <td>1:1</td> <td>PART NO.</td> <td>SEE TABLE A</td> <td>DWG NO.</td> <td>QC9512</td> <td>VERSION</td> <td>B</td> </tr> </table>	DRAWN	Yeh Chou	APP'D	Ku Chou	UNIT	mm	TOLERANCE			广东科斯达电子科技有限公司 GUANG DONG KE SI DA ELECTRONIC TECHNOLOGY CO., LTD.	TITLE	MINI DIN(F)雙耳鎖板式(半成品)			SHEET	1	CHK'D	Emily Suen	SCALE	1:1	PART NO.	SEE TABLE A	DWG NO.	QC9512	VERSION	B
DRAWN	Yeh Chou	APP'D			Ku Chou	UNIT	mm				TOLERANCE			广东科斯达电子科技有限公司 GUANG DONG KE SI DA ELECTRONIC TECHNOLOGY CO., LTD.	TITLE	MINI DIN(F)雙耳鎖板式(半成品)			SHEET	1						
CHK'D	Emily Suen		SCALE	1:1		PART NO.	SEE TABLE A	DWG NO.	QC9512	VERSION	B															