

CUSTOMER DRAWING

REV.	DESCRIPTION	APPVL. BY	DATE	ECN NO.
A	RELEASE	Fido Weng	22/12/08'	
B	新增機	Emily Suen	14/06/12'	
C				

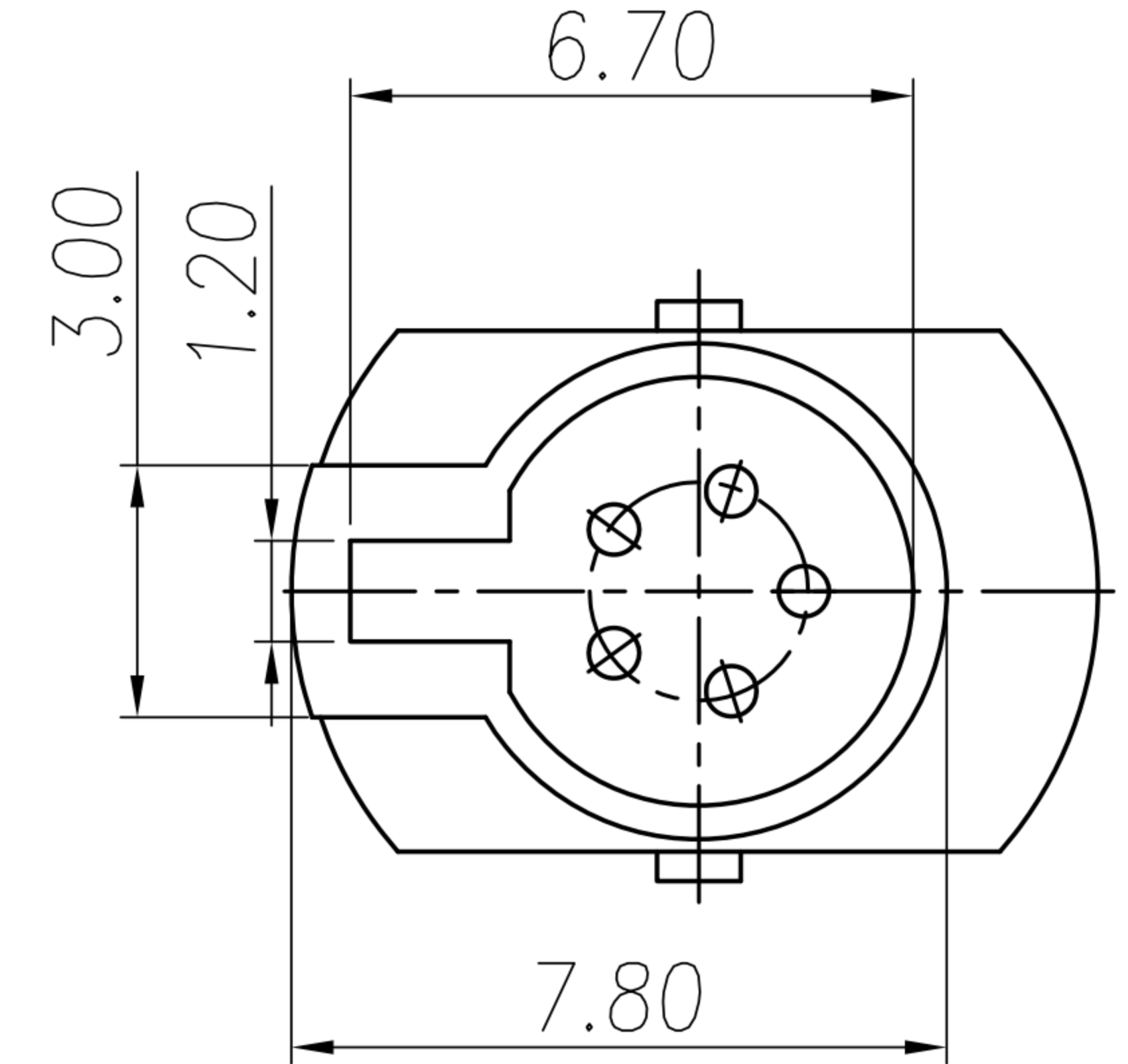
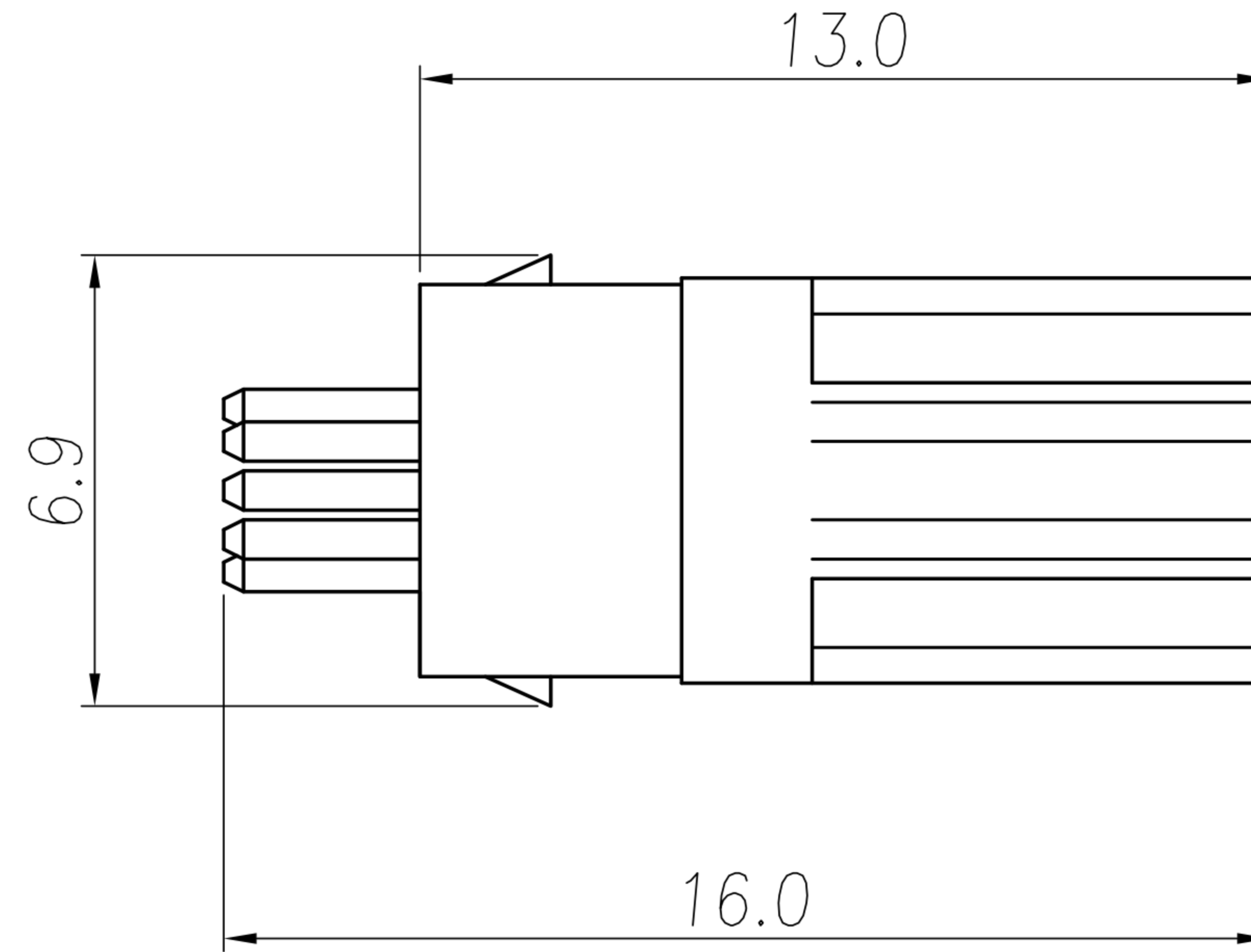
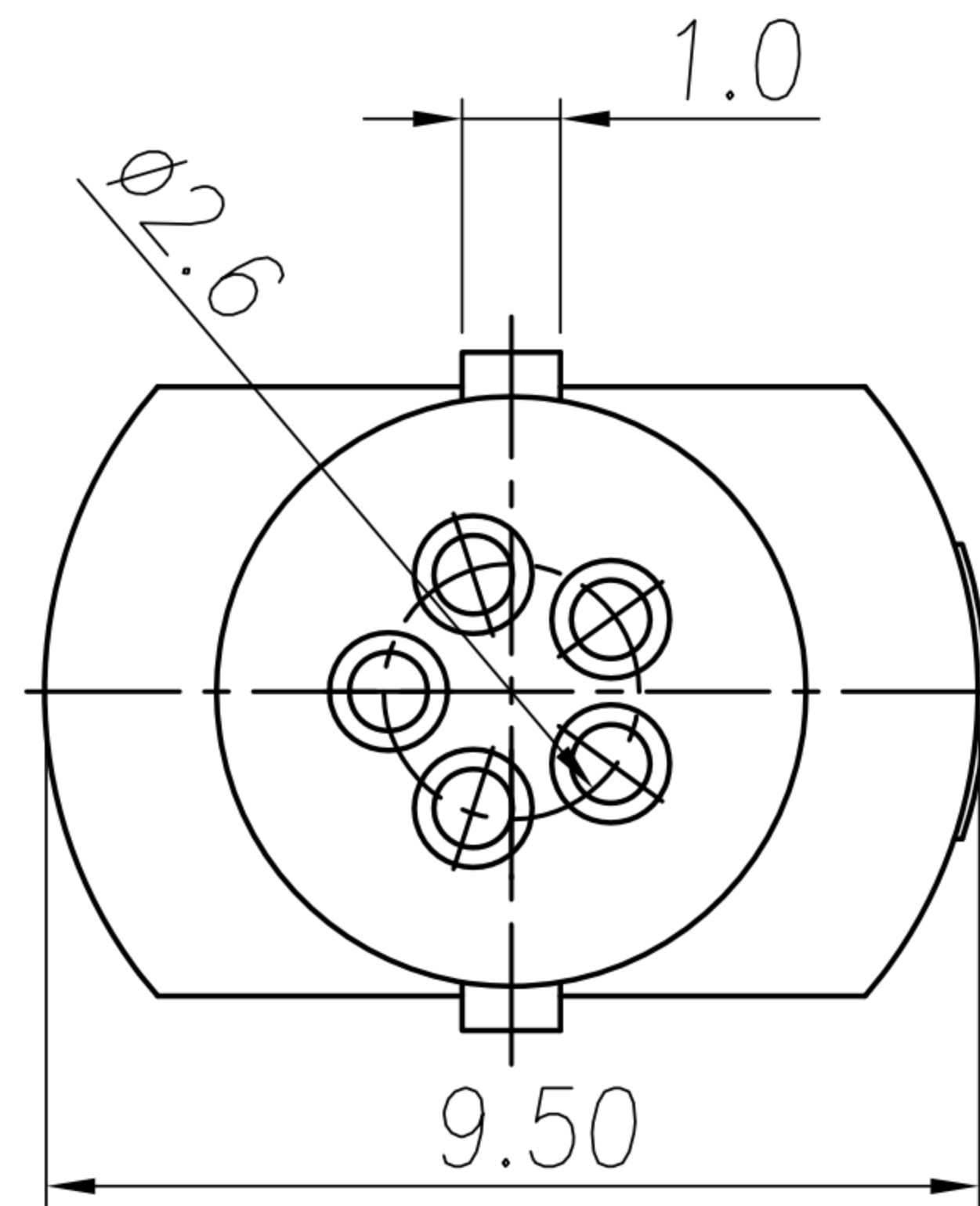


TABLE A

SPD-05M2-07	特5(M)削角(純白色)
SPD-05M2-03	特5(M)削角(黑色)
SPD-05M2-02	特5(M)削角(白色)
P/N	DESCRIPTION

NOTE:

- MATERIAL :
  - HOUSING : PBT UL94V-0 ; COLOR : SEE TABLE A
  - CONTACT : BRASS
- FINISH :
  - CONTACT : SILVER PLATED.

DRAW	Angus Lal	APPVL	Emily Suen	UNIT	mm	TOLERANCE		广东科斯达电子科技有限公司 GUANG DONG KE SI DA ELECTRONIC TECHNOLOGY CO., LTD.	TITLE	特5(M)成型式			SHEET	1 VERSION A
CHECK	Emily Suen			SCALE	1:1	.x ±0.20 .xx ±0.10 .xxx ±0.05 .xxxx ±0.03 ANGULA ±1°			PART NO.	SEE TABLE A	DWG NO.	QC0023		