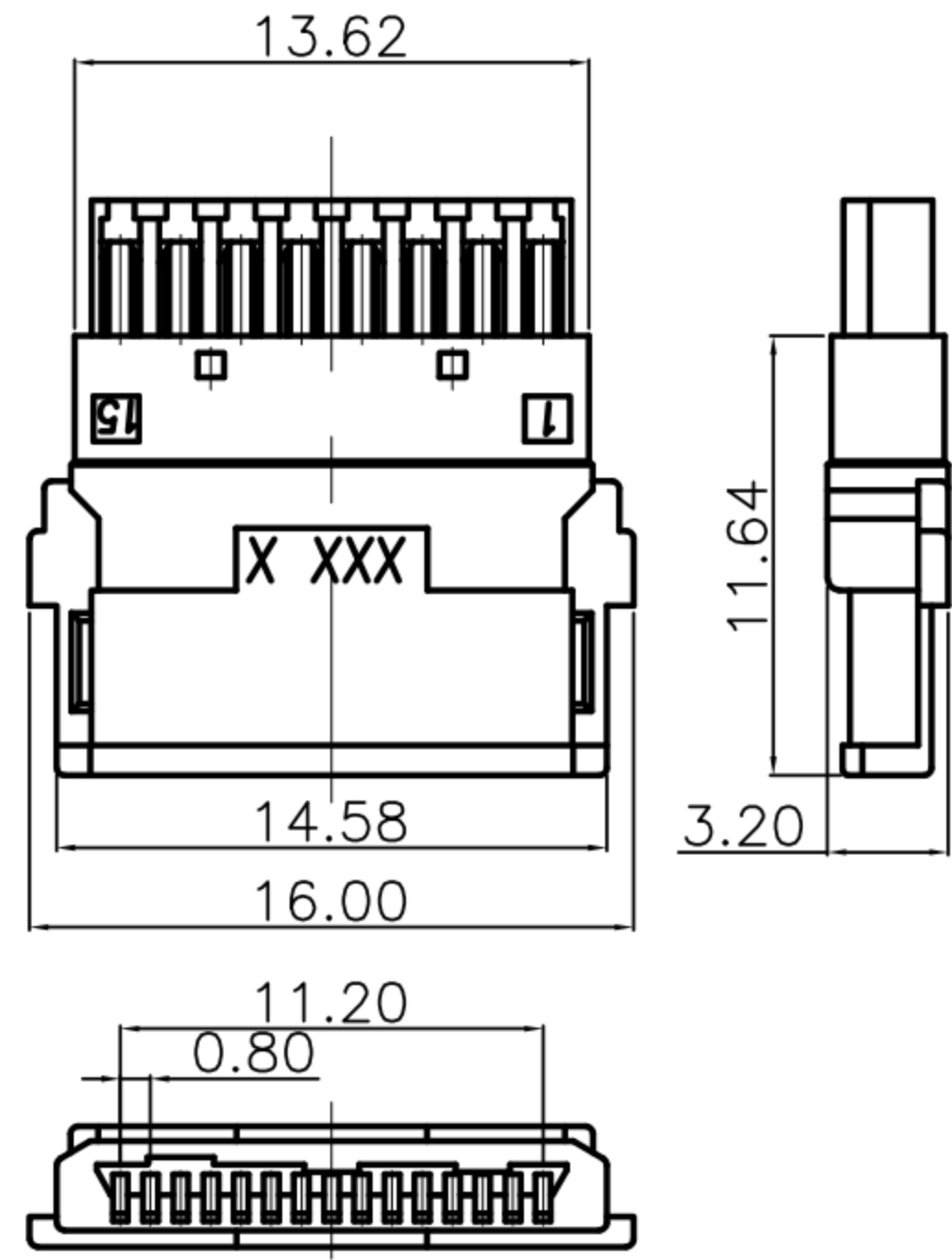


CUSTOMER DRAWING

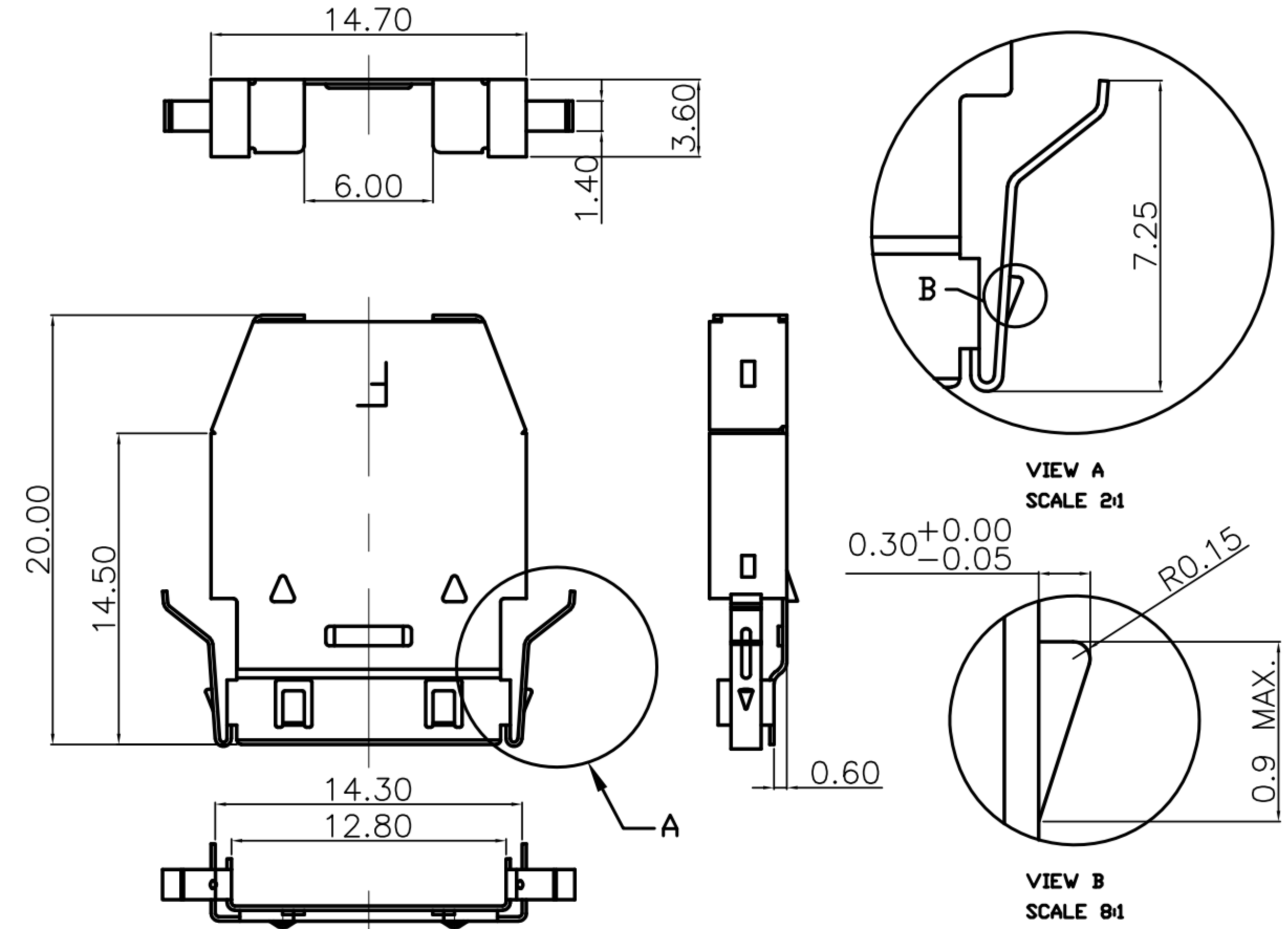
REV.	DESCRIPTION	APPROVED BY	DATE	ECN NO.
A				
B	圖面整合	Ku Chou	2018/01/03	
C				

HOUSING+CONTACT+INSERT

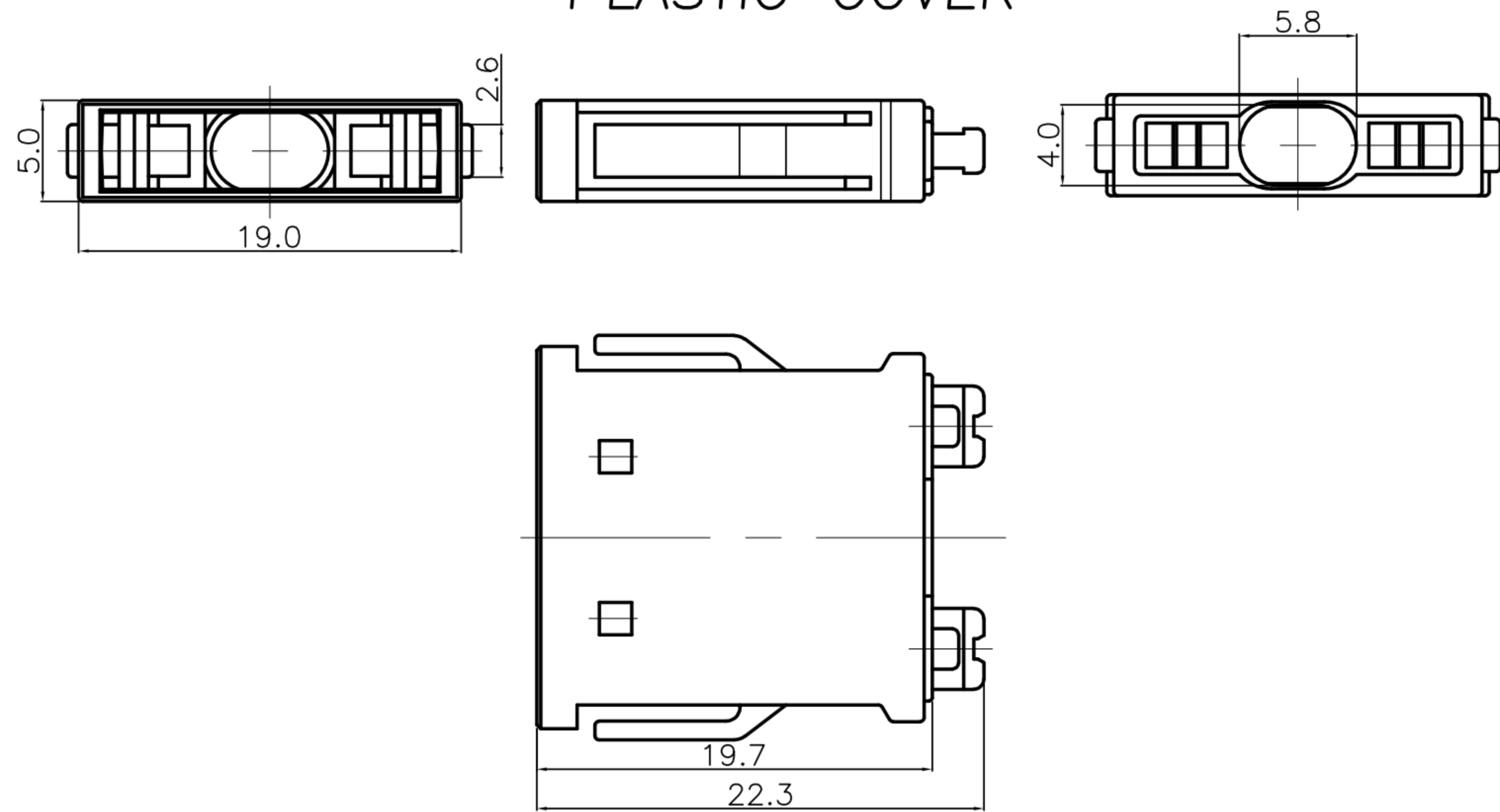


<p>B Type</p> <p>NY-PC107</p>	<p>A Type</p> <p>NY-PC085</p>
<p>B23 Type</p> <p>NY-PC364-01</p>	<p>A23 Type</p> <p>NY-PC182</p>
<p>B13 Type</p> <p>NY-PC147</p>	<p>A13 Type</p> <p>NY-PC113</p>
<p>B12 Type</p> <p>NY-PC111</p>	<p>A12 Type</p> <p>NY-PC097</p>

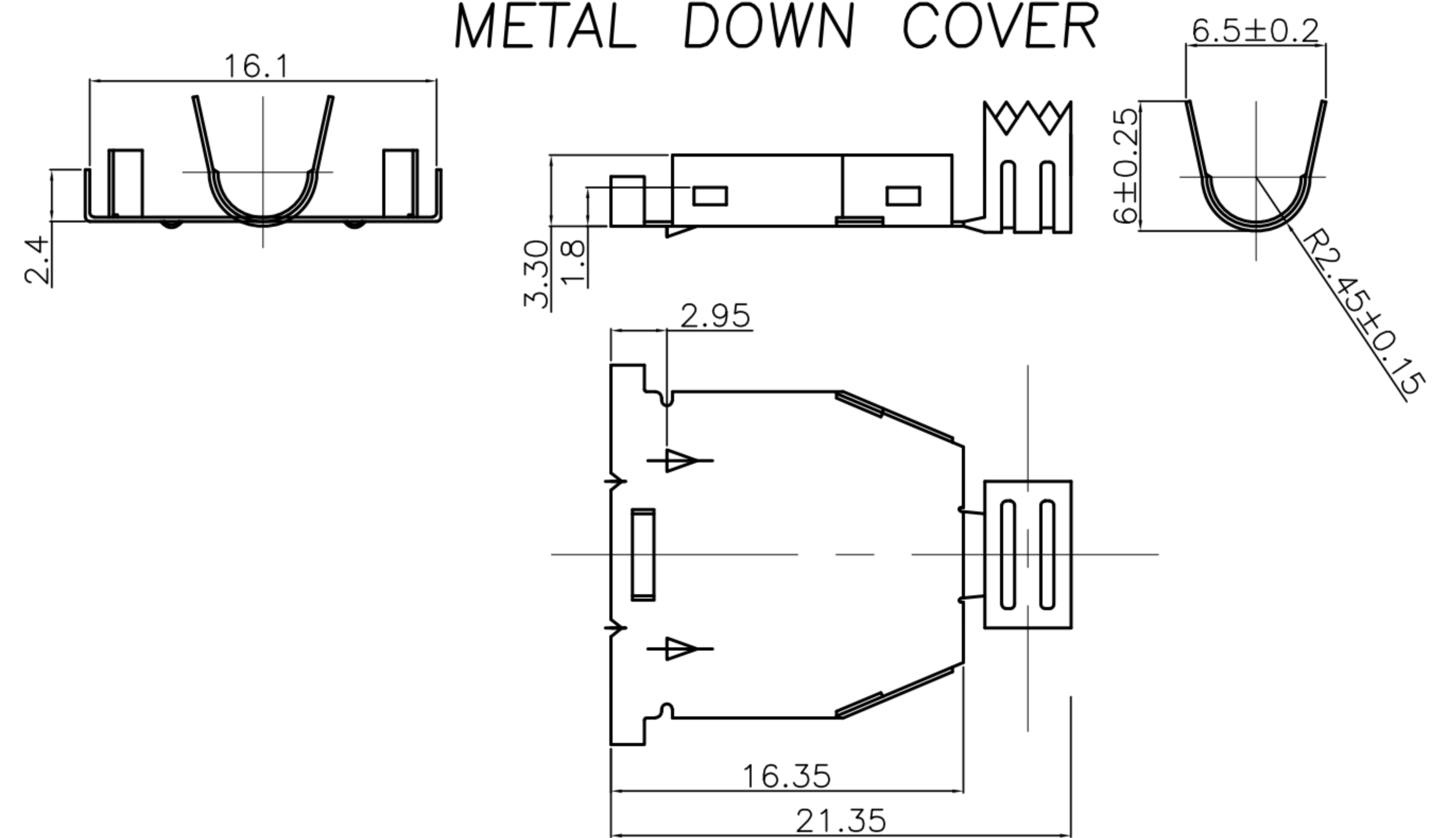
METAL UP COVER



PLASTIC COVER



METAL DOWN COVER



DRAWN	Emily Suen	APP'D	Ku Chou	UNIT	mm	TOLERANCE		<p>广东科斯达电子科技有限公司 GUANG DONG KE SI DA ELECTRONIC TECHNOLOGY CO., LTD.</p>	TITLE	SEE TABLE A			SHEET
CHK'D	Emily Suen			SCALE	1:1	.x ±0.20 .xx ±0.10 .xxx ±0.05 .xxxx ±0.03 ANGULA ±1°			PART NO.	SEE TABLE A	DWG NO.	QC0697	VERSION

CUSTOMER DRAWING

REV.	DESCRIPTION	APPROVED BY	DATE	ECN NO.
A				
B	圖面整合	Ku Chou	2018/01/03	
C				

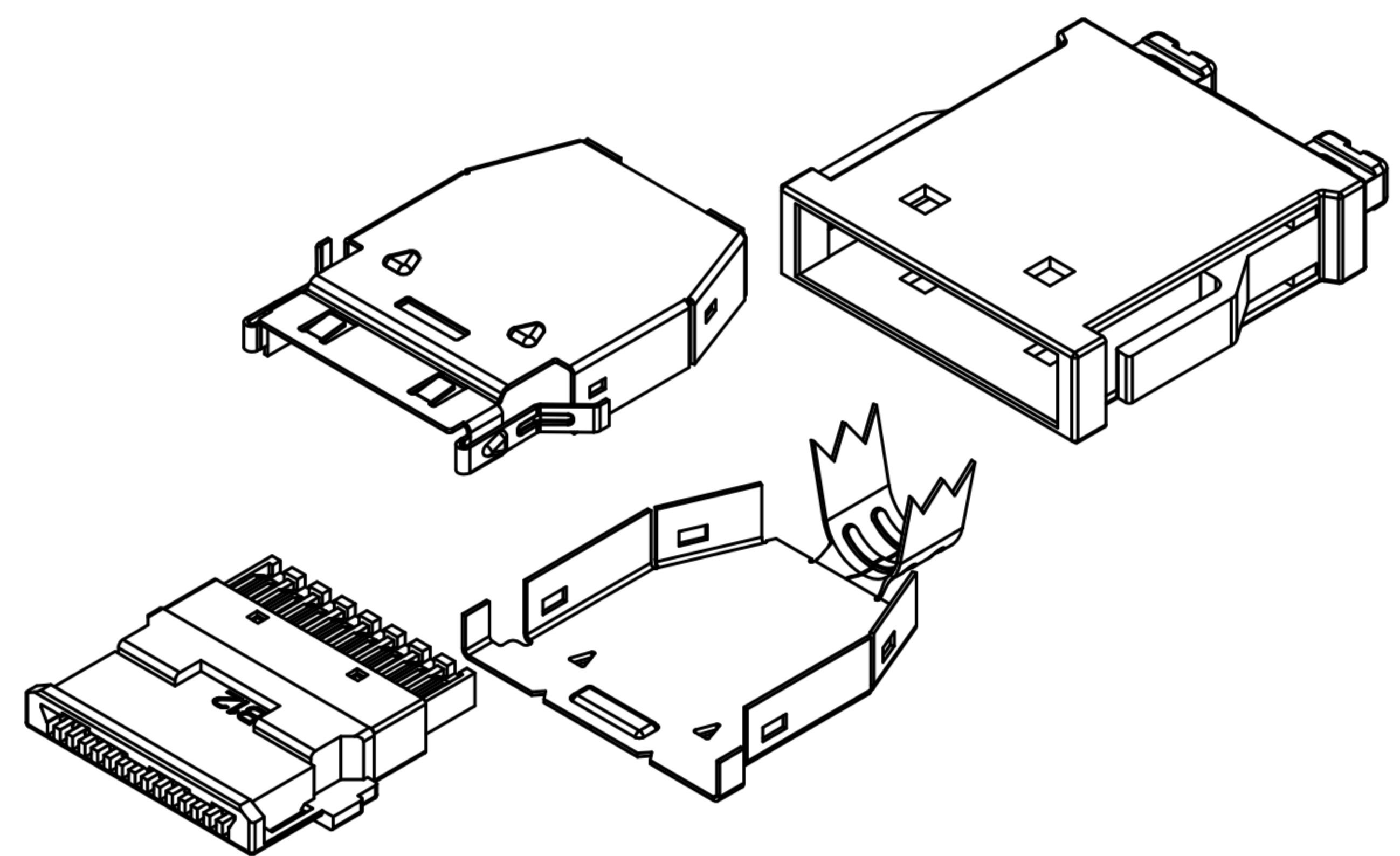
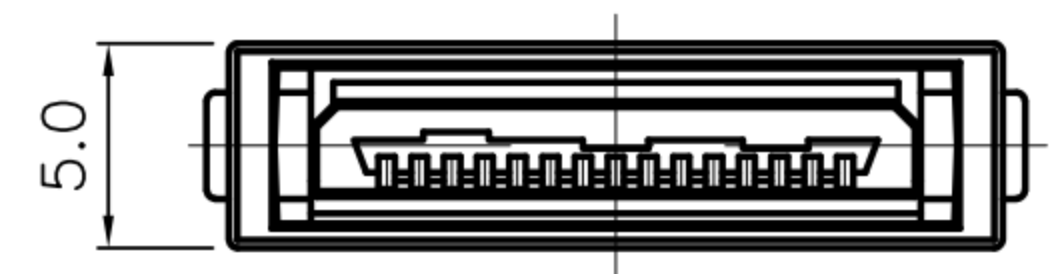
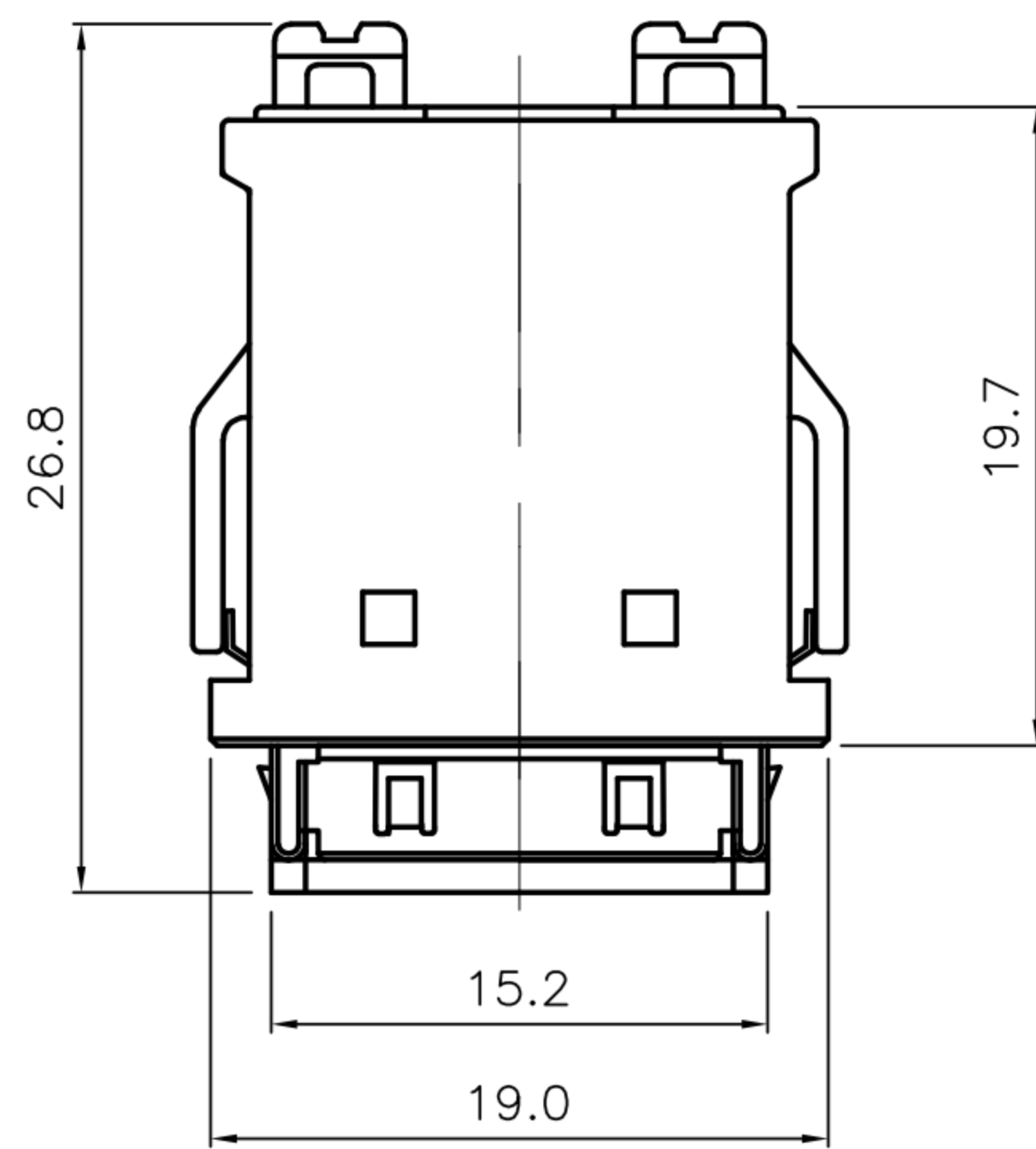


TABLE A

	P/N	DESCRIPTION
1	PC-15M2-24	PCMCIA 15P (M) A TYPE(Without SR)
2	PC-15M2-08	PCMCIA 15P (M) A23 TYPE(Without SR)
3	PC-15M2-15	PCMCIA 15P (M) A13 TYPE(Without SR)
4	PC-15M2-26	PCMCIA 15P (M) A12 TYPE(Without SR)
5	PC-15M2-44	PCMCIA 15P (M) B TYPE(Without SR)
6	PC-15M2-46	PCMCIA 15P (M) B23 TYPE(Without SR)
7	PC-15M2-34	PCMCIA 15P (M) B13 TYPE(Without SR)
8	PC-15M2-07	PCMCIA 15P (M) B12 TYPE(Without SR)

- MATERIAL :
 - 1-1. HOUSING : NYLON46 UL94V-0 ; COLOR : BLACK
 - 1-2. CONTACT : PHOSPHOR BRONZE
 - 1-3. INSERT : PBT UL94V-0 ; COLOR : BLACK
 - 1-4. METAL UP COVER : STAINLESS STEEL
 - 1-5. METAL DOWN COVER : STAINLESS STEEL
 - 1-6. PLASTIC COVER : NYLON
- FINISH :
 - 2-1. CONTACT : CONTACT AREA :5u" MIN GOLD PLATE
 - SOLDER AREA : TIN
 - UNDER PLATE : NICKEL
- ELECTRICAL SPECIFICATION :
 - 3-1. Rated current : 0.5A
 - 3-2. Voltage :125V
- Environmental :
 - 4-1. Operation Temperature : -20 ℃~85℃

DRAWN	Emily Suen	APP'D	Ku Chou	UNIT	mm	TOLERANCE		广东科斯达电子科技有限公司 GUANG DONG KE SI DA ELECTRONIC TECHNOLOGY CO., LTD.	TITLE	SEE TABLE A			SHEET
CHK'D	Emily Suen			SCALE	1:1	.x ±0.20 .xx ±0.10 .xxx ±0.05 .xxxx ±0.03 ANGULA ±1°			PART NO.	SEE TABLE A	DWG NO.	QC0697	VERSION