

This document is the property of Nan-Yeong Corporation and is delivered on the express condition that it is not to be disclosed, reproduced or used, in whole or in part, for manufacture or sale by anyone other than Nan-Yeong Corporation without its prior consent, and that no right is granted to disclose or to use any information in this document.

CUSTOMER DRAWING

REV.	DESCRIPTION	APPROVED BY	DATE	ECN NO.
A	RELEASE	Fido Weng	22/12/08'	ECN10097
B				
C				

STEP1:

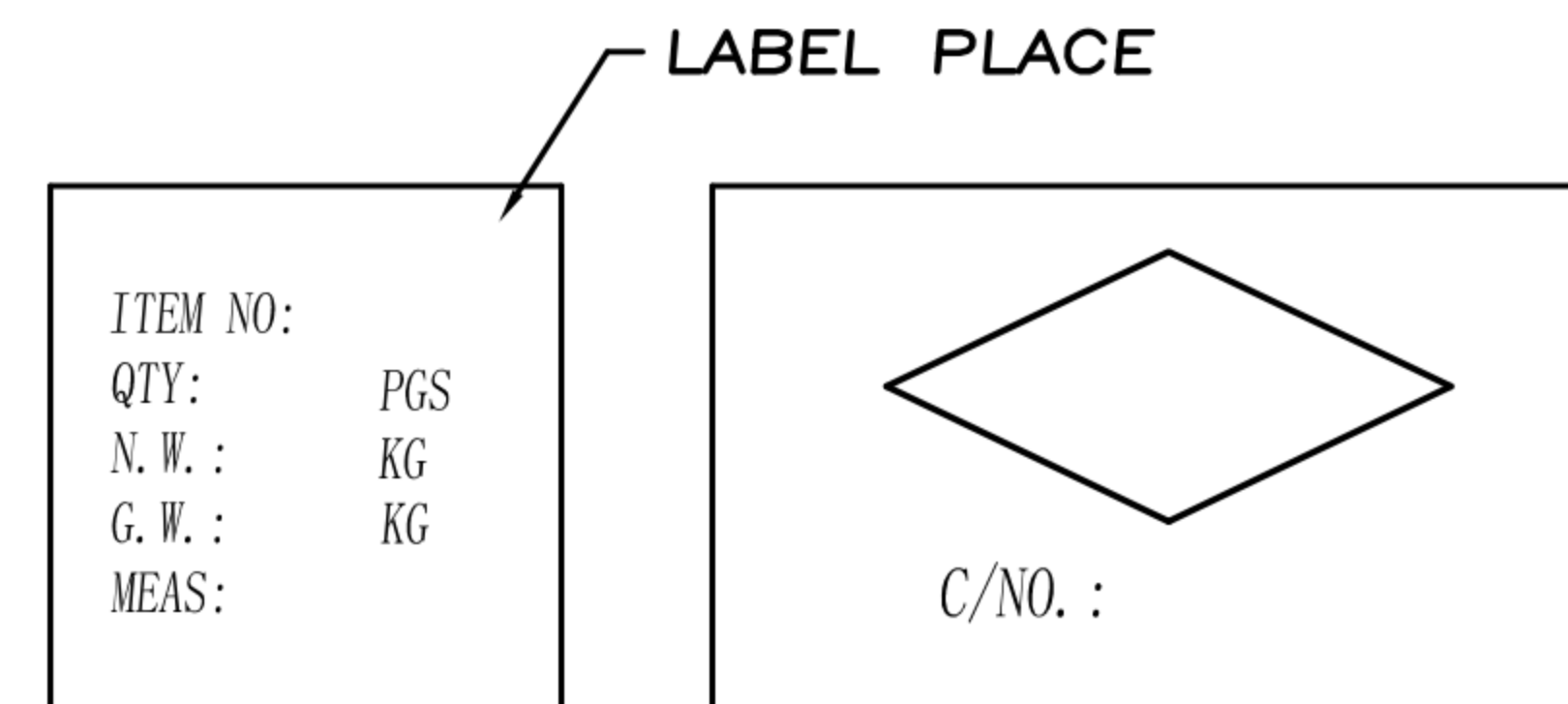
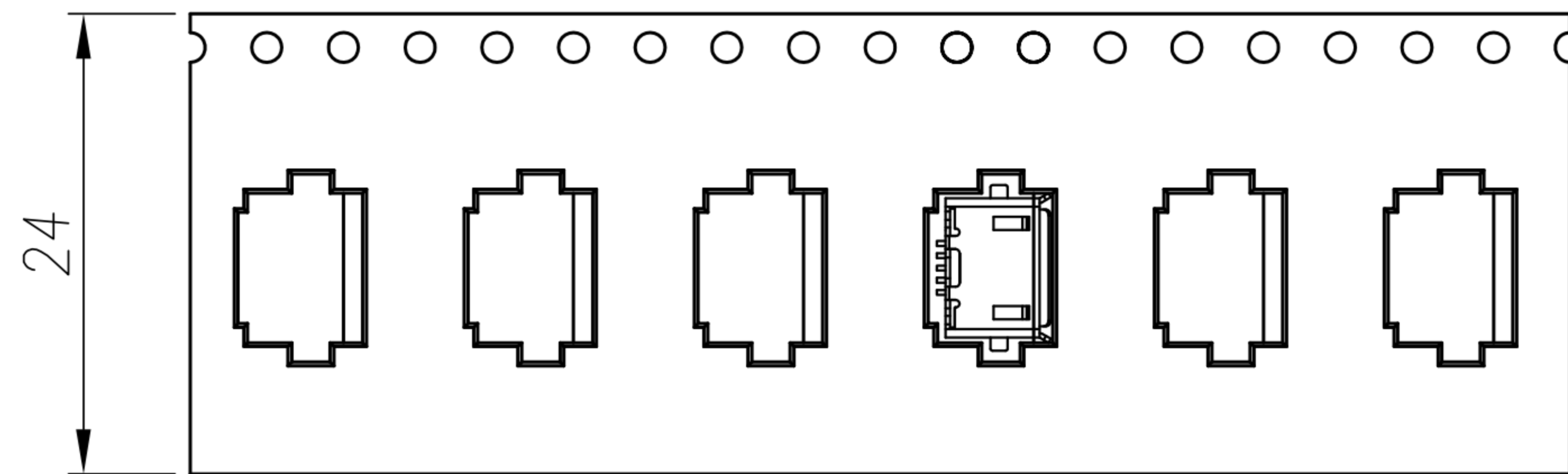
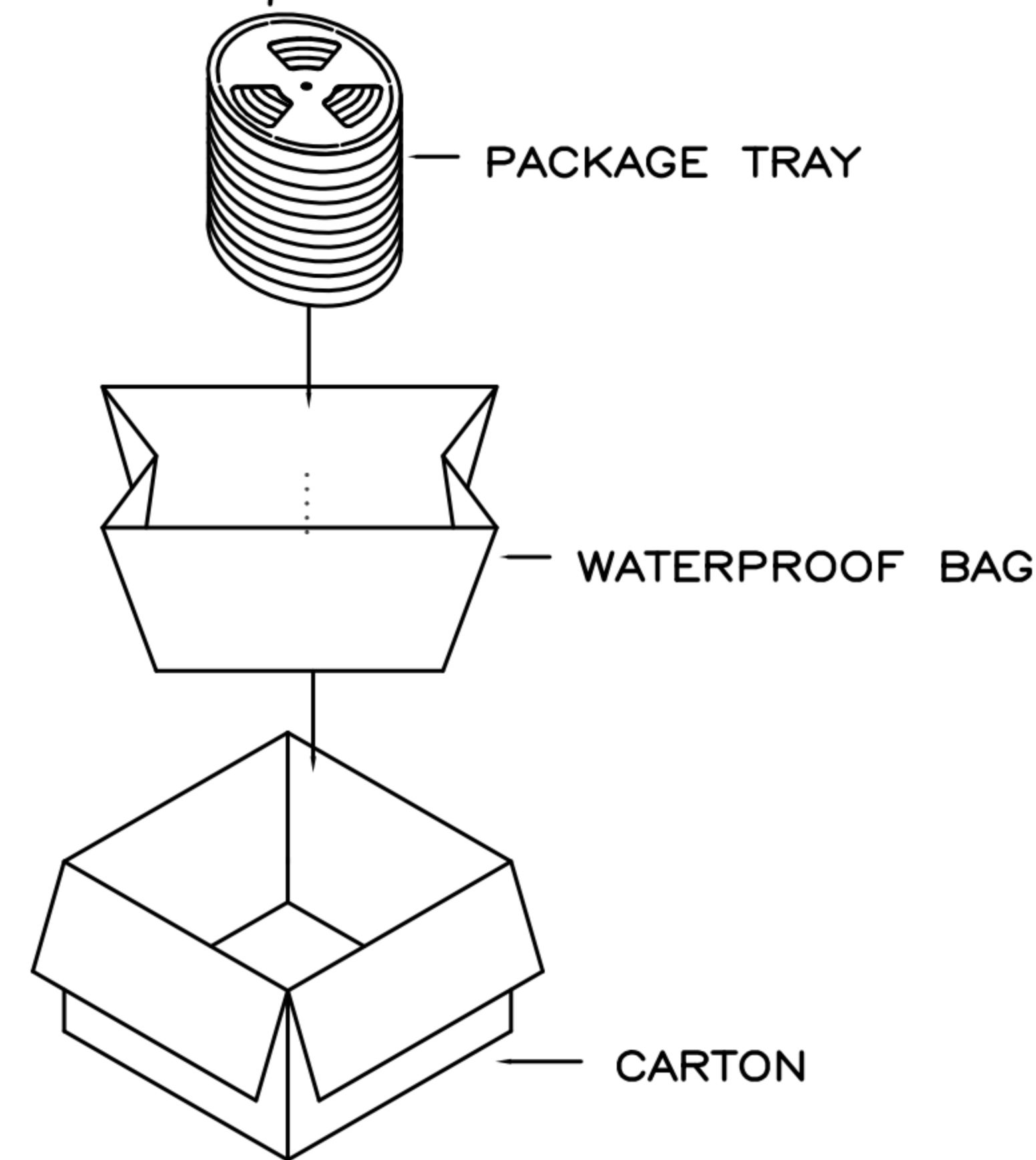
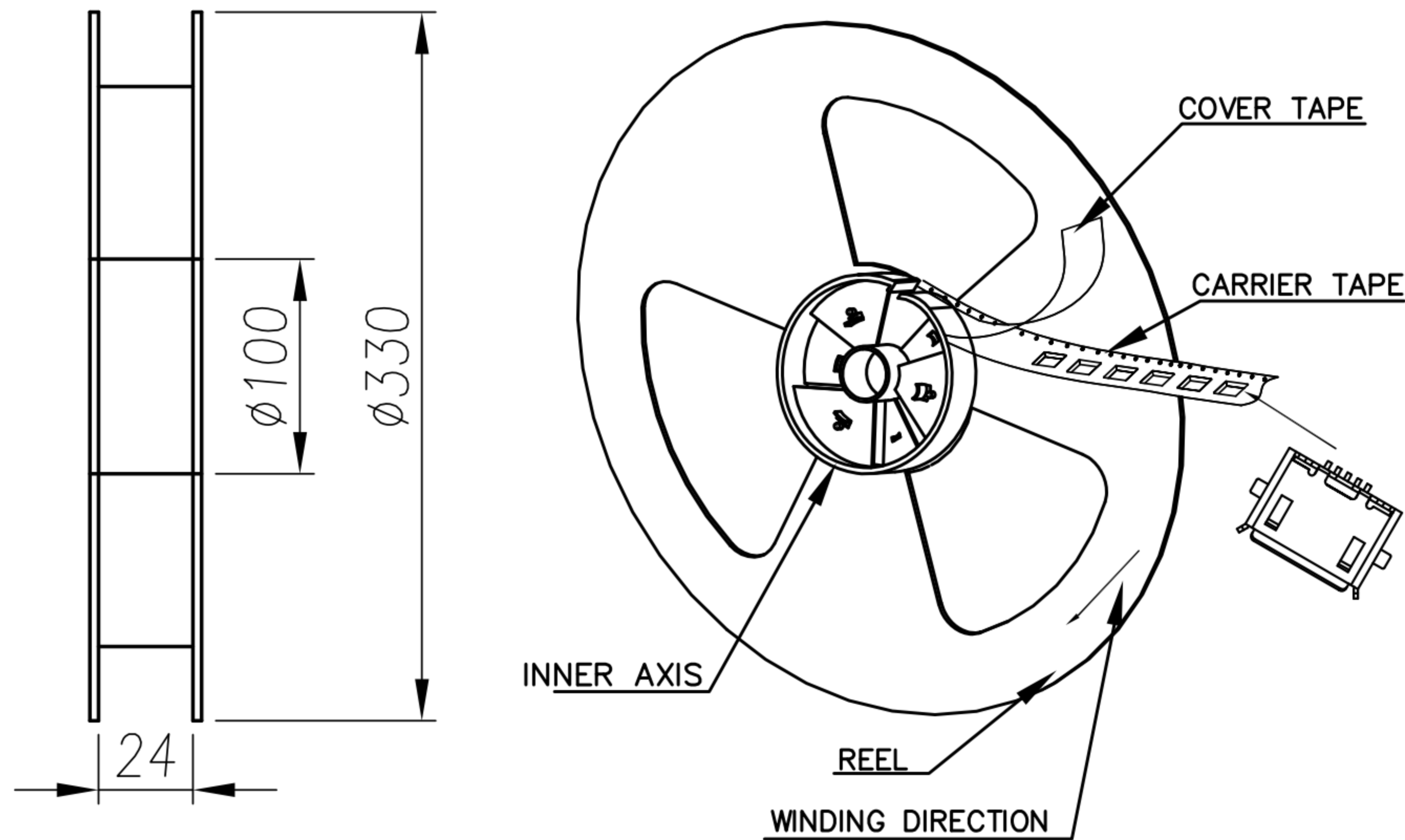
- 1.Pack finished products into a package tray in the same direction.
- 2.The packing way as shown in the following drawing.
- 3.A package tray has 1500 pcs.

STEP2:

- 1.The carton contains 10 package trays.
- 2.1500 pcs per tray; 15000 pcs per carton.
- 3.Put package trays into a waterproof bag and pack before sealing.

STEP3:

- 1.Seal the box with tape.
- 2.Paste the carton with label.



DRAWN	Jen Xie	APP'D	Fido Weng	UNIT	mm	TOLERANCE		广东科斯达电子科技有限公司 GUANG DONG KE SI DA ELECTRONIC TECHNOLOGY CO., LTD.	TITLE	MICRO USB 5PIN(F) AB TYPE SHELL			SHEET	2/2
CHK'D	Emily Suen			SCALE	1:1	.x ±0.20 .xx ±0.10 .xxx ±0.05 .xxxx ±0.03 ANGULA ±1°			PART NO.	PK-1-MU-05F4-14	DWG NO.	QC3040	VERSION	A

