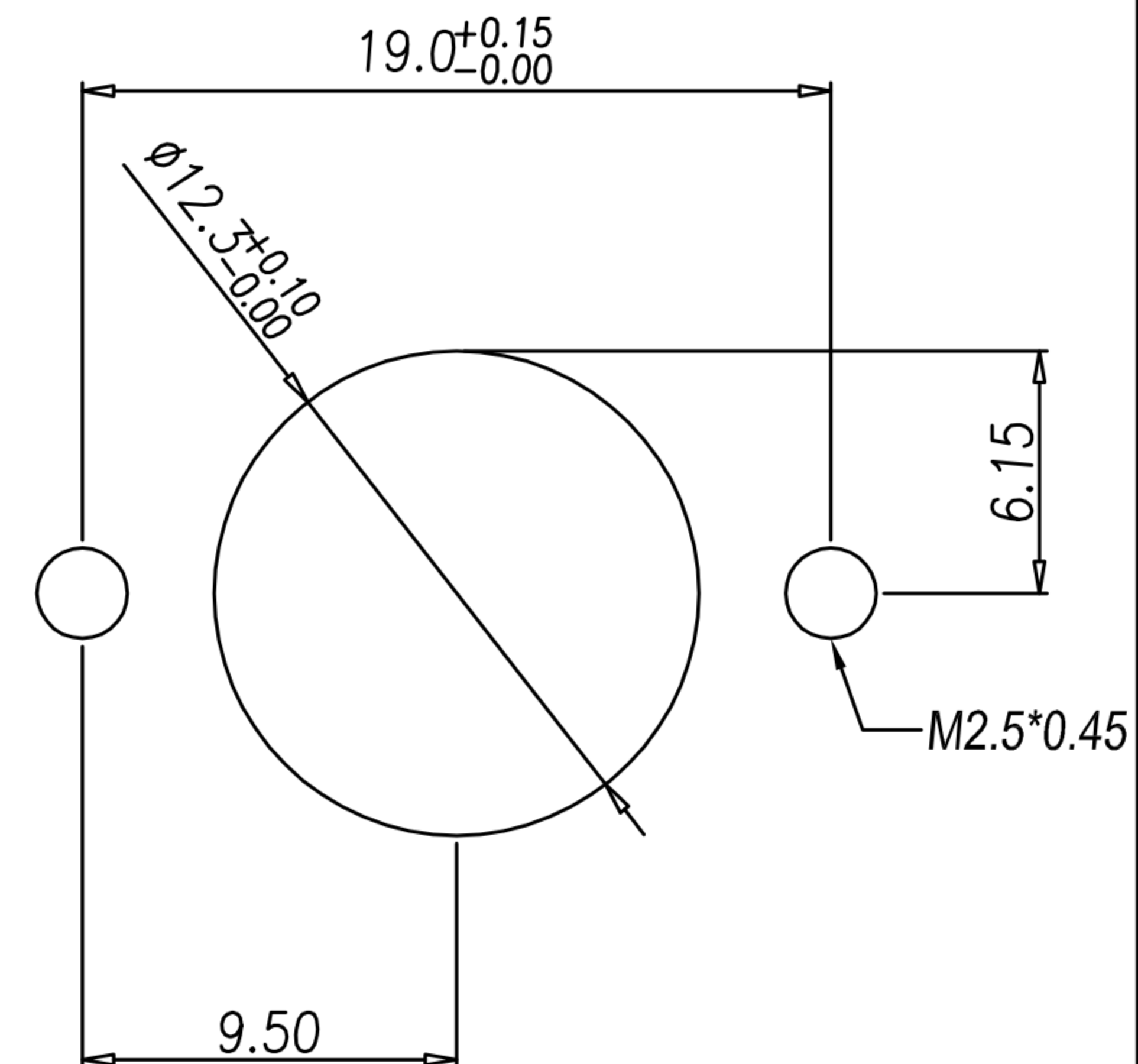
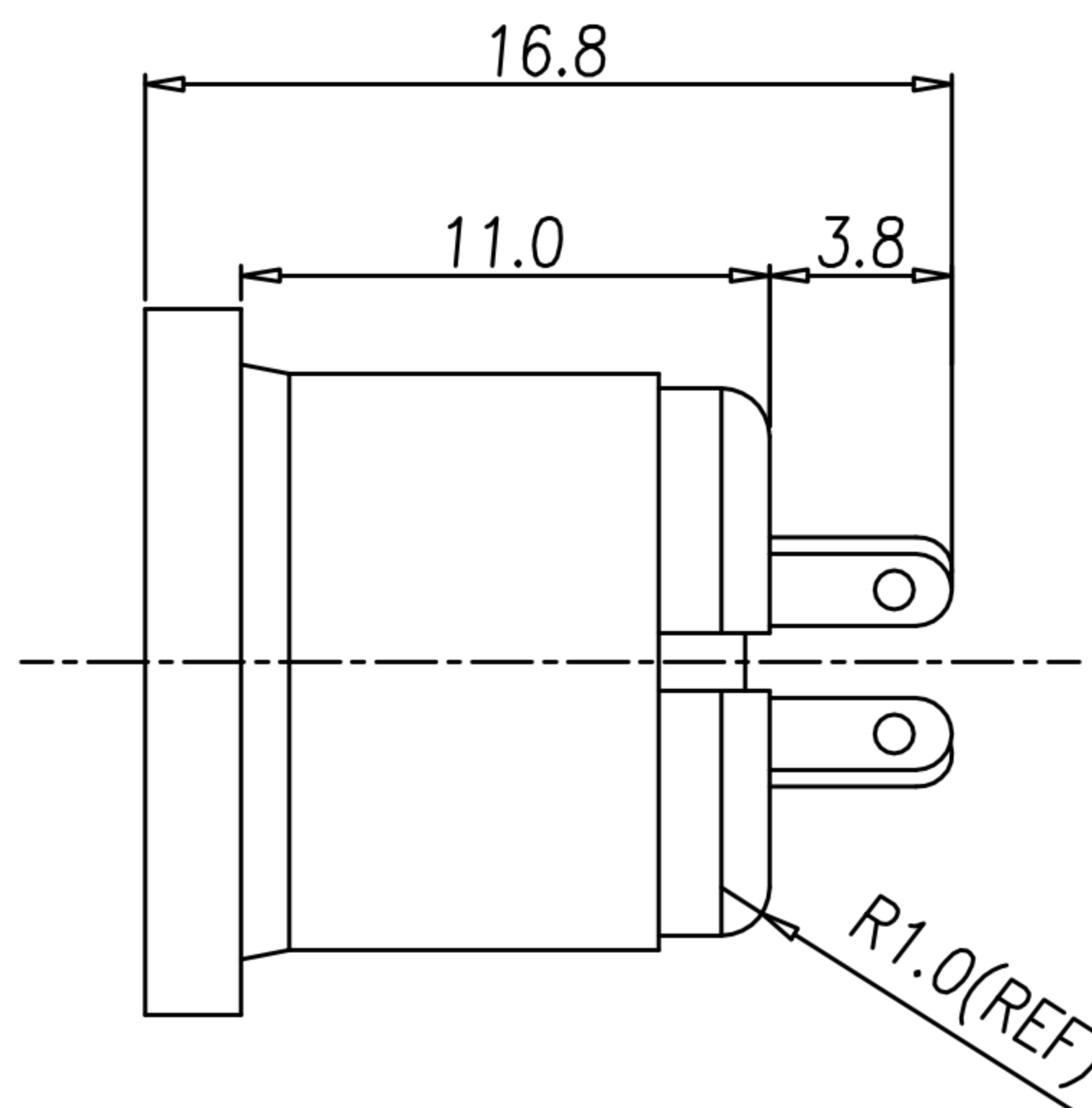
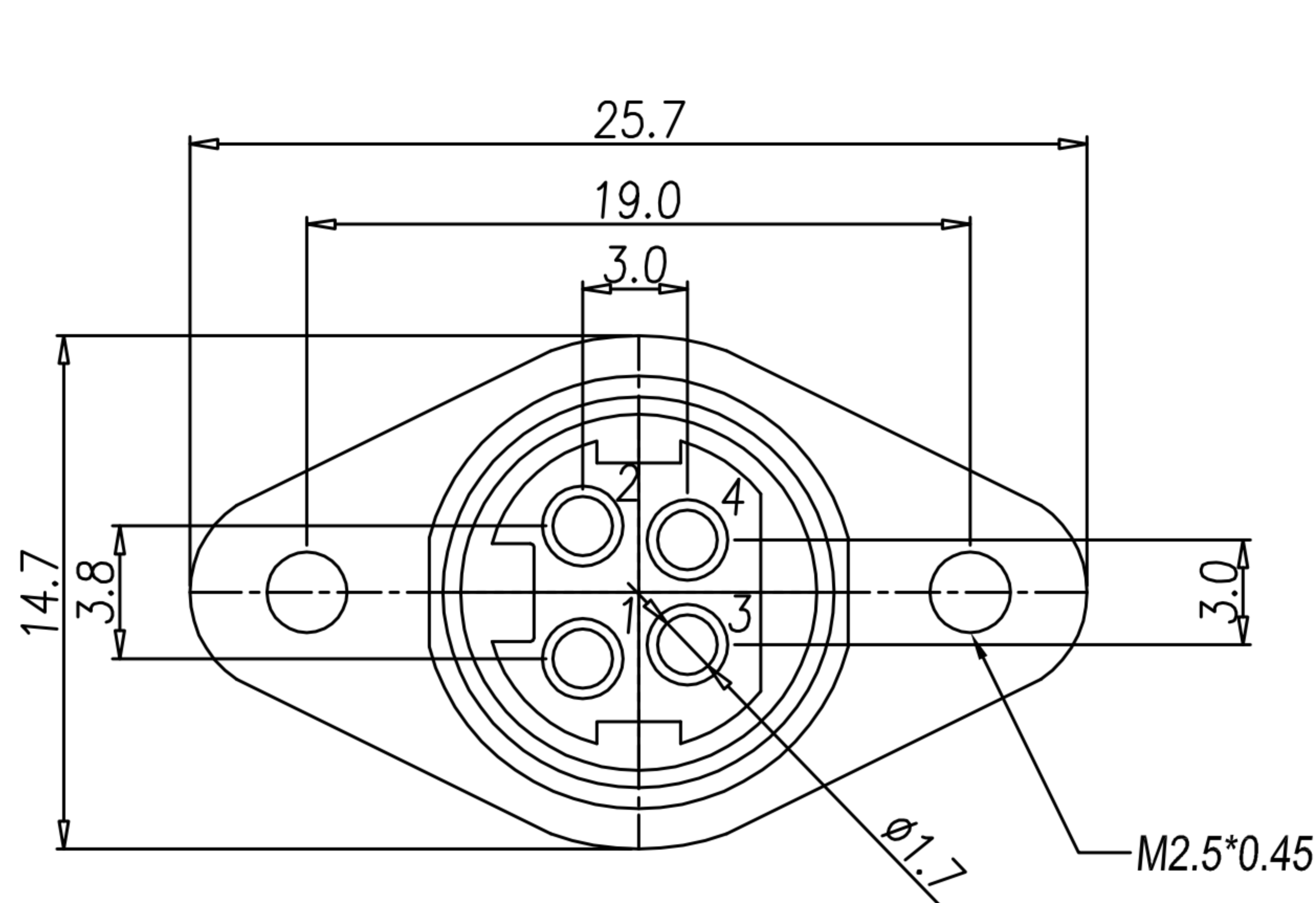
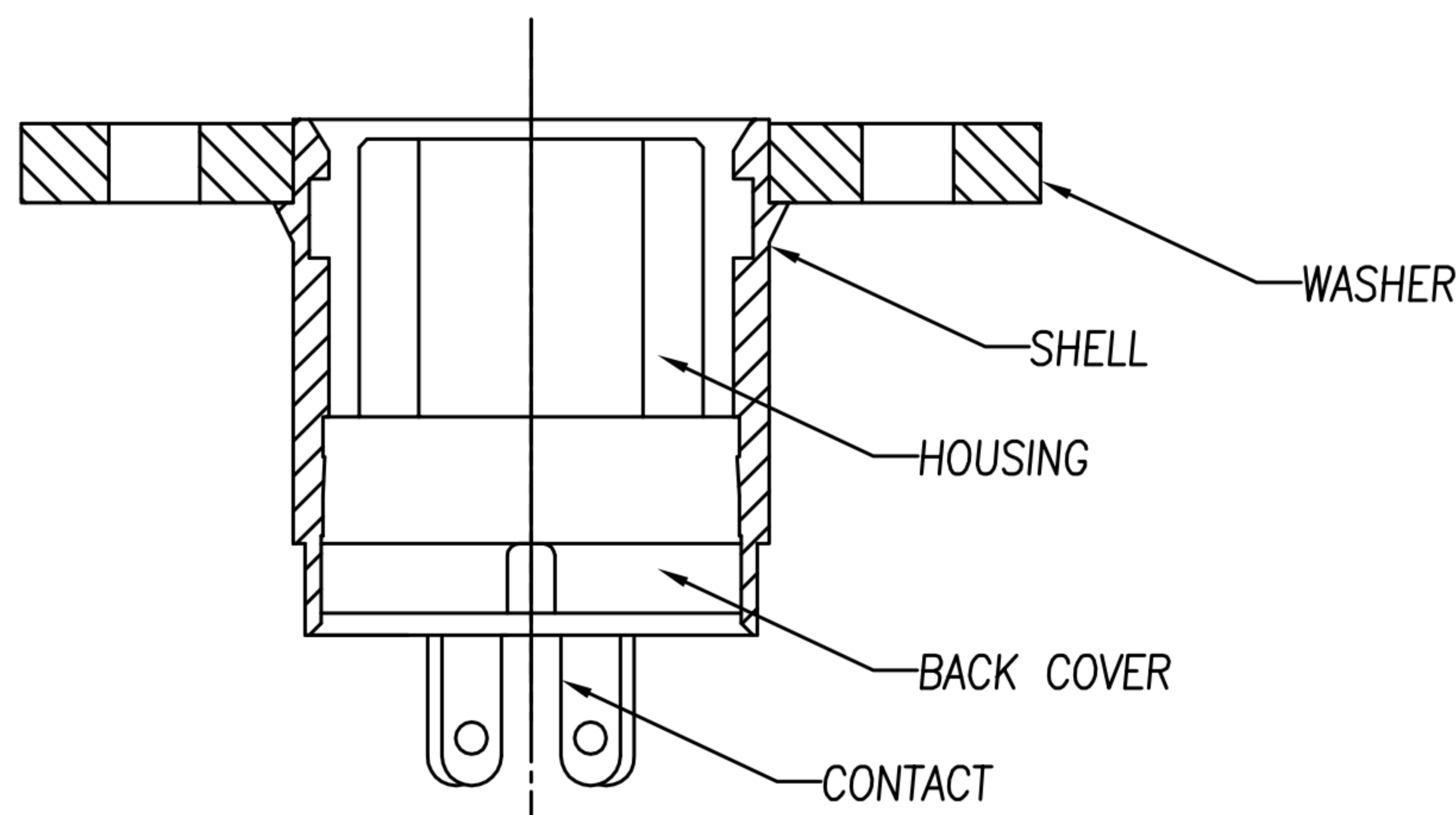


CUSTOMER DRAWING

REV.	DESCRIPTION	APPVL. BY	DATE	ECN NO.
A	RELEASE	Fido Weng	13/04/09	ECN09083
B				
C				



RECOMMEND PANEL CUT-OUT



NOTE:

- 1.MATERIAL:
  - 1-1. HOUSING : PBT UL94V-0 ; COLOR : BLACK
  - 1-2. CONTACT : PHOSPHOR BRONZE
  - 1-3. SHELL : BRASS
  - 1-4. BACK COVER : PBT UL94V-0 ; COLOR : BLACK
  - 1-5. WASHER : BRASS
- 2.PLATING:
  - 2-1. CONTACT : TIN PLATED 60u" OVER NICKEL
  - 2-2. SHELL : NICKEL PLATED 60u" ~ 100u" OVER ALL
- 3.ELETRICAL SPECICATION :
  - 3-1. RATED CURRENT : 7.5A/DC MAX
  - 3-2. RATED VOLTAGE : 20V/DC MAX
4. ENVIRONMENTAL :
  - 4-1. OPERATION TEMPERATURE : -20 °C~85°C

DRAW	Ku Chou	APPVL	Fido Weng	UNIT	mm	TOLERANCE			TITLE	POWER DIN 4(F) SOCKET (Rotate 90°)			SHEET
CHECK	Emily Suen			SCALE	1:1	.x ±0.25 .xx ±0.15 .xxx ±0.10 .xxxx ±0.05 ANGULA ±1°			PART NO.	PD-04F2-12	DWG NO.	QC4190	VERSION