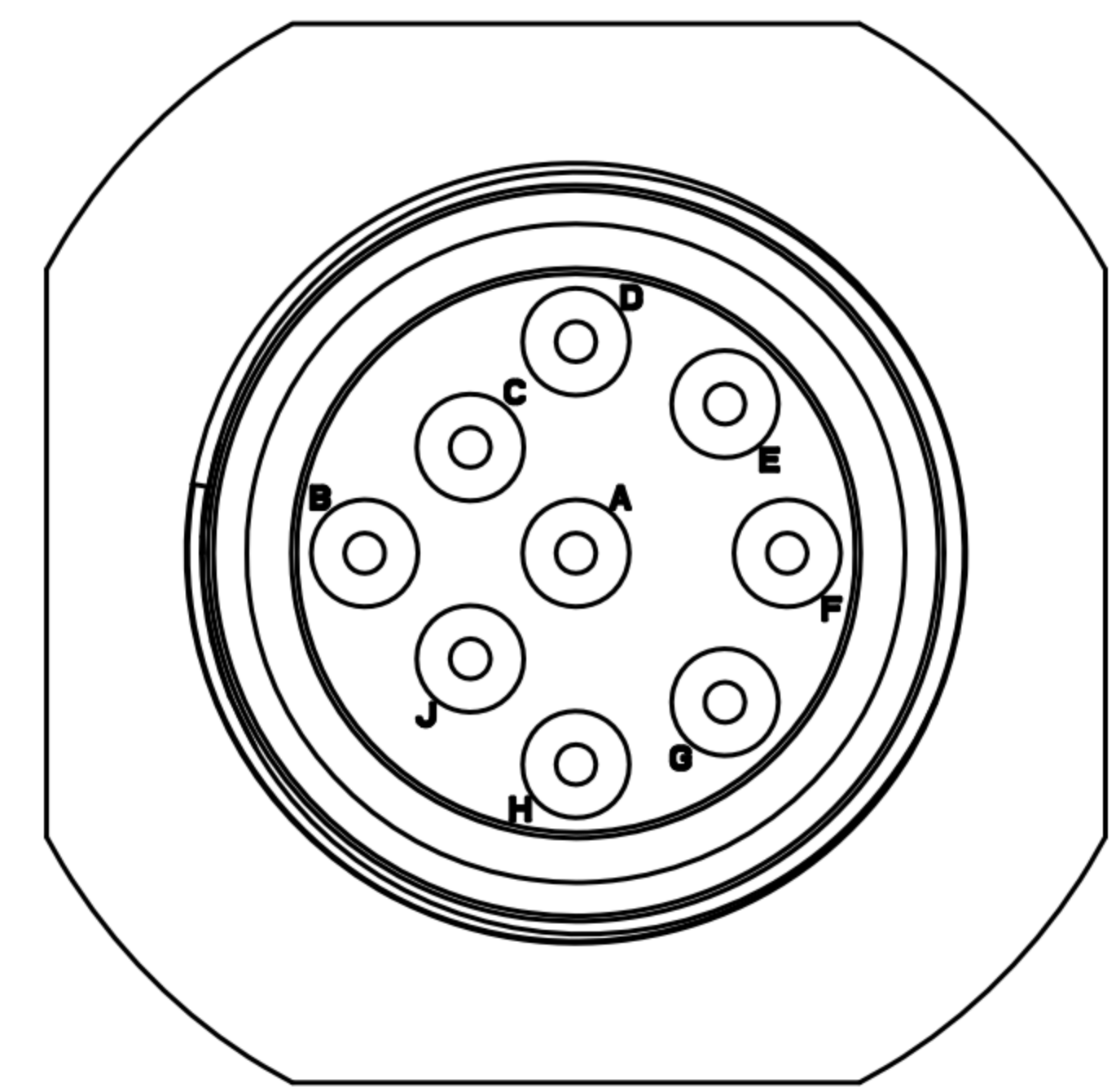
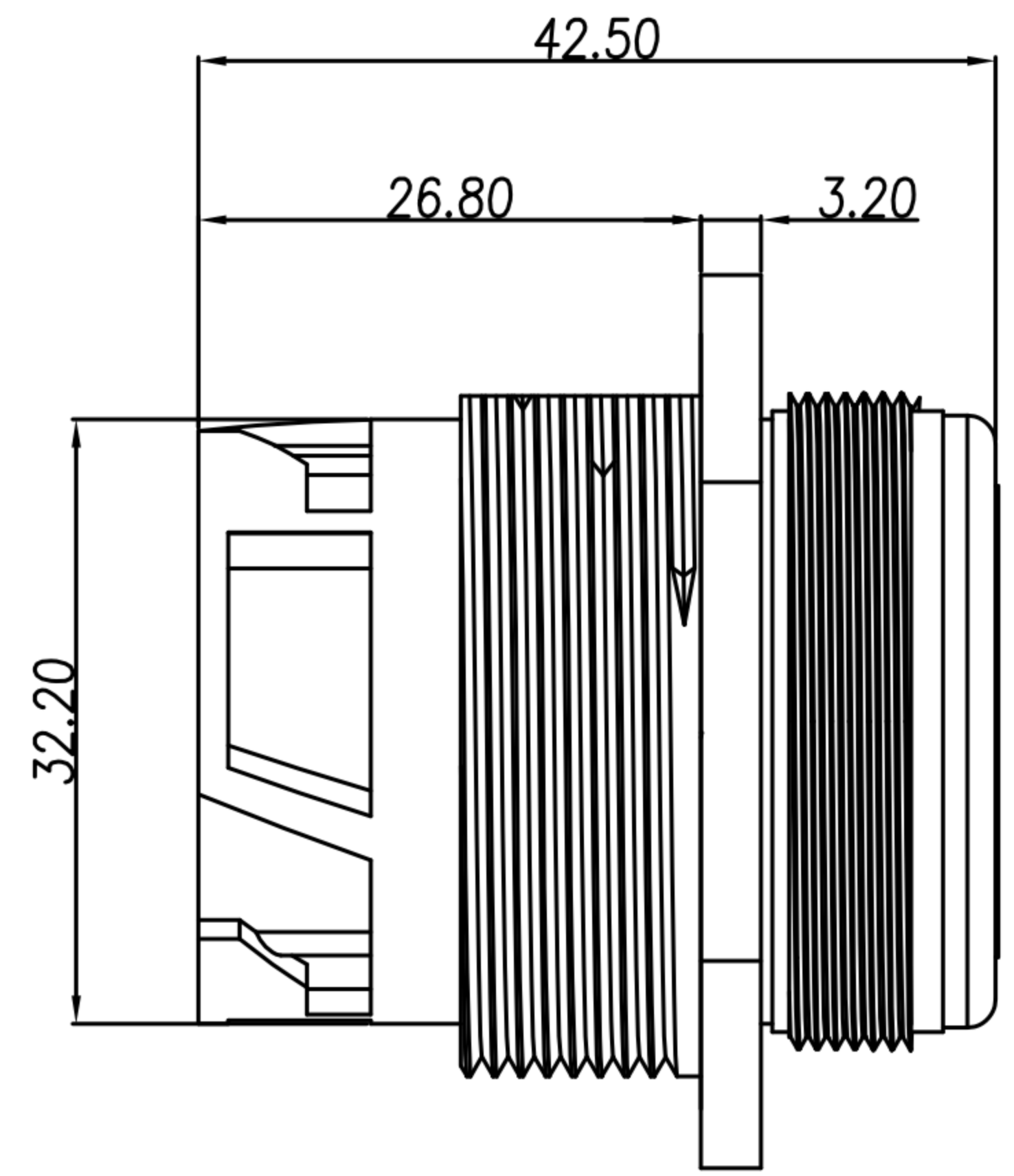
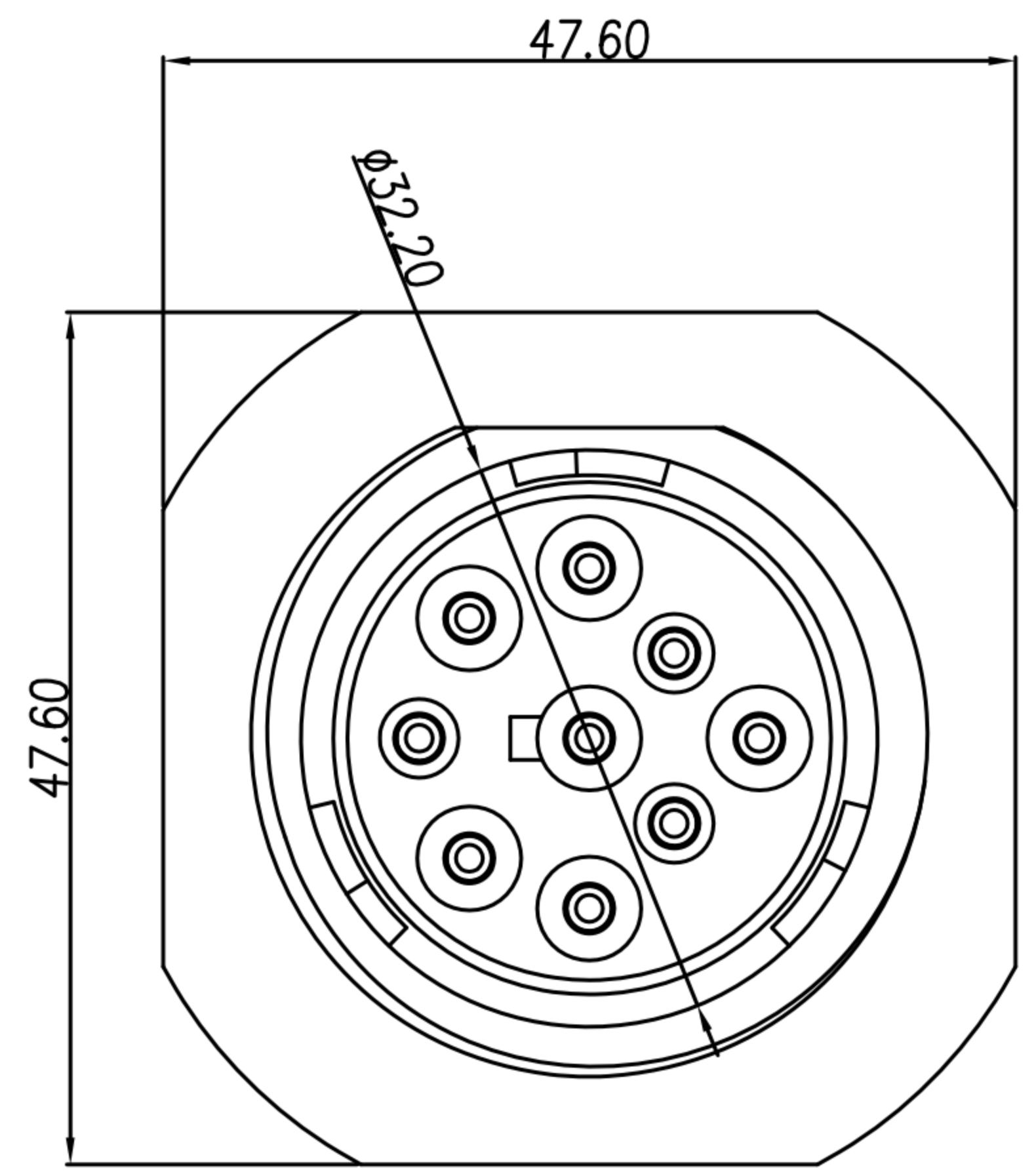


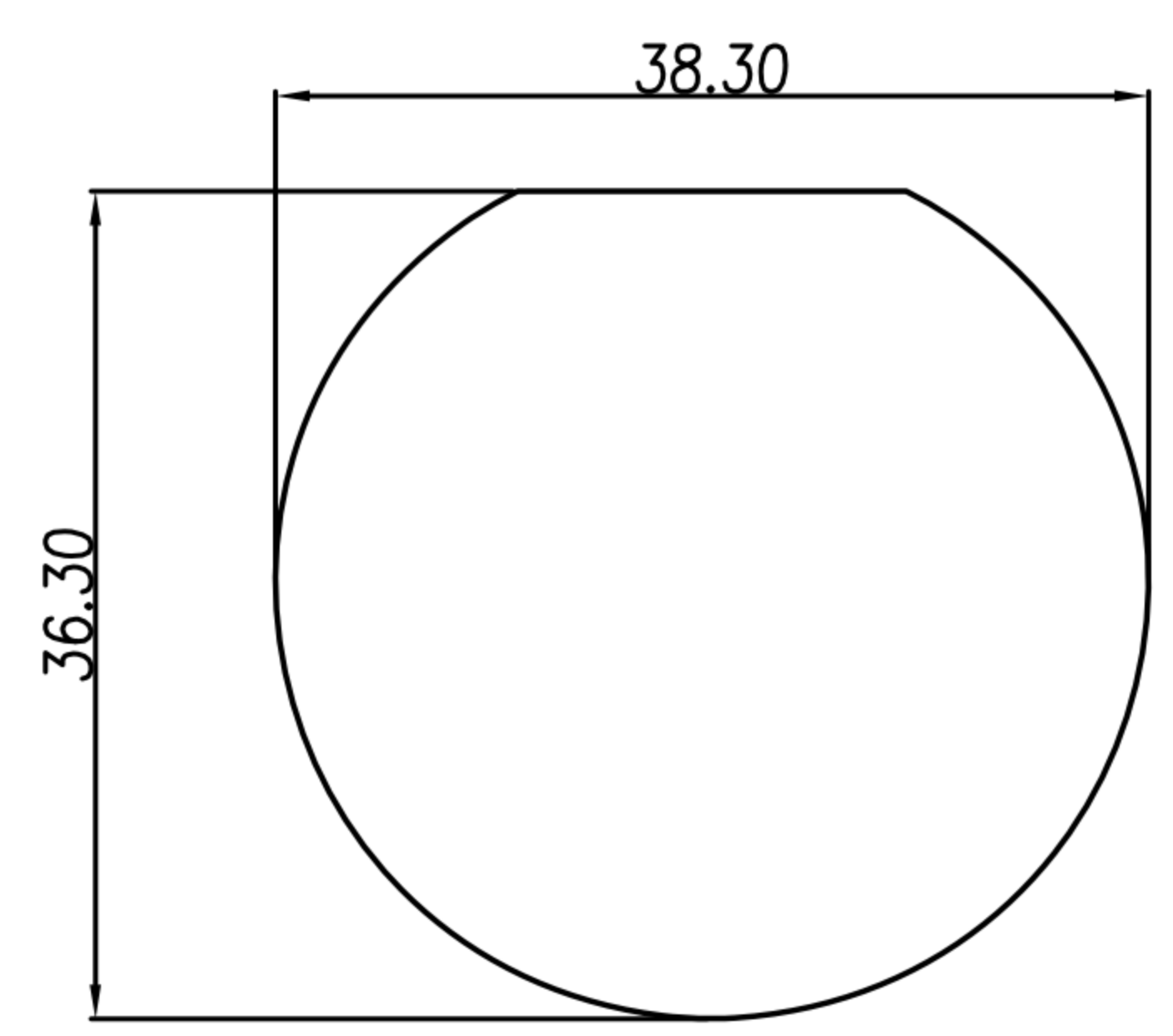
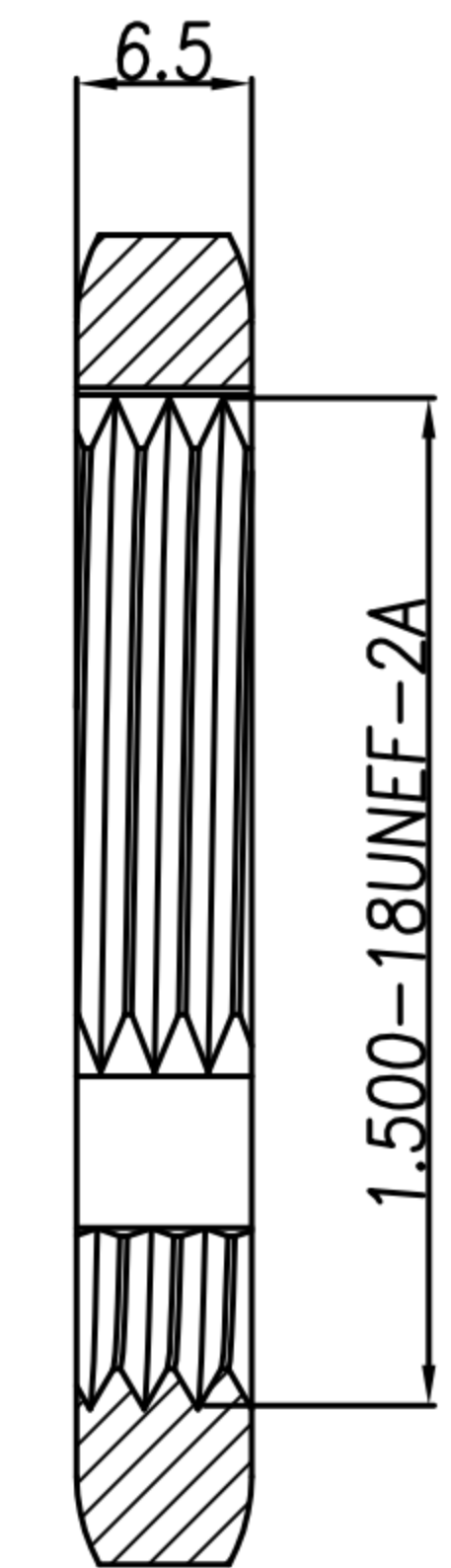
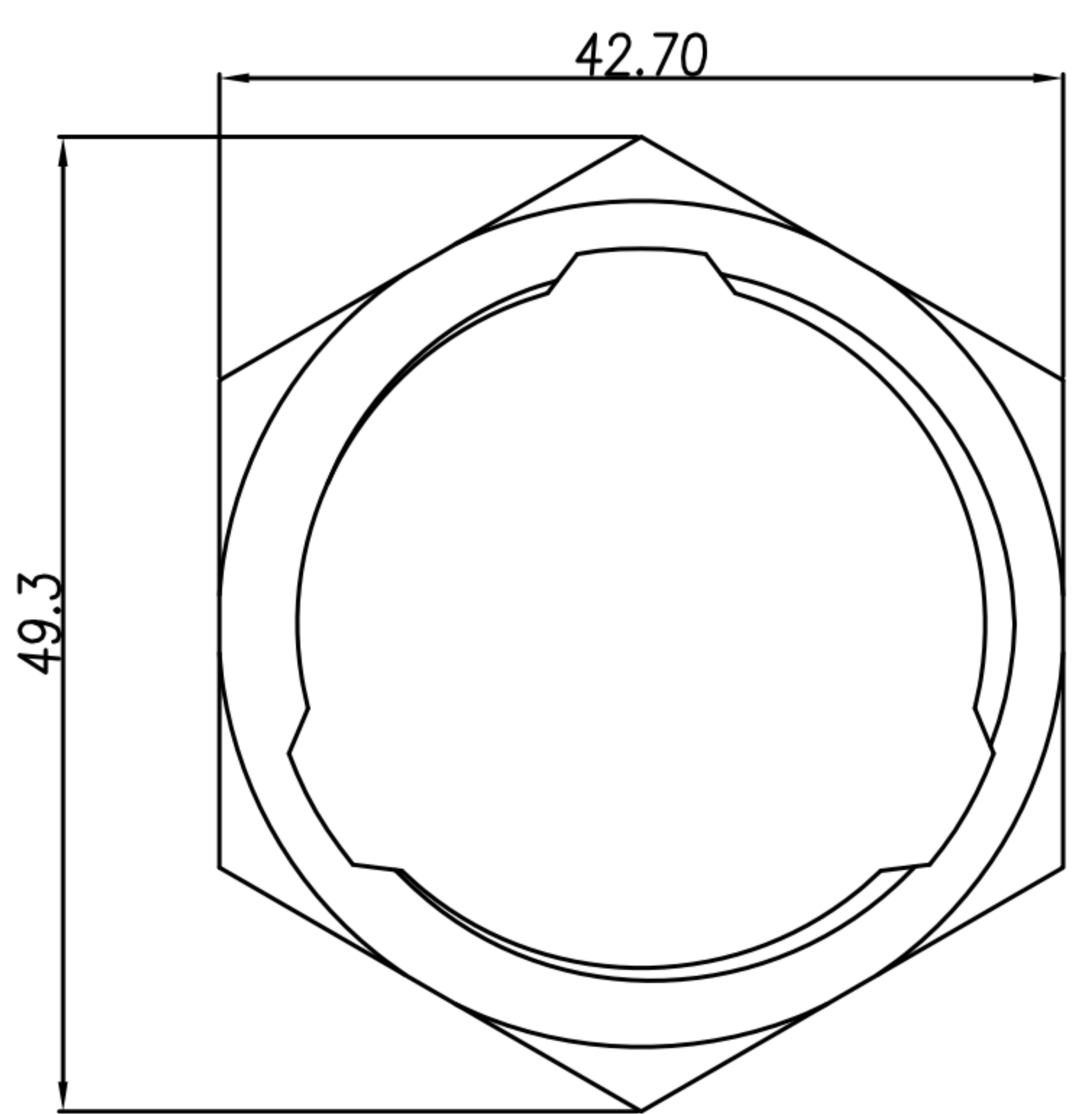
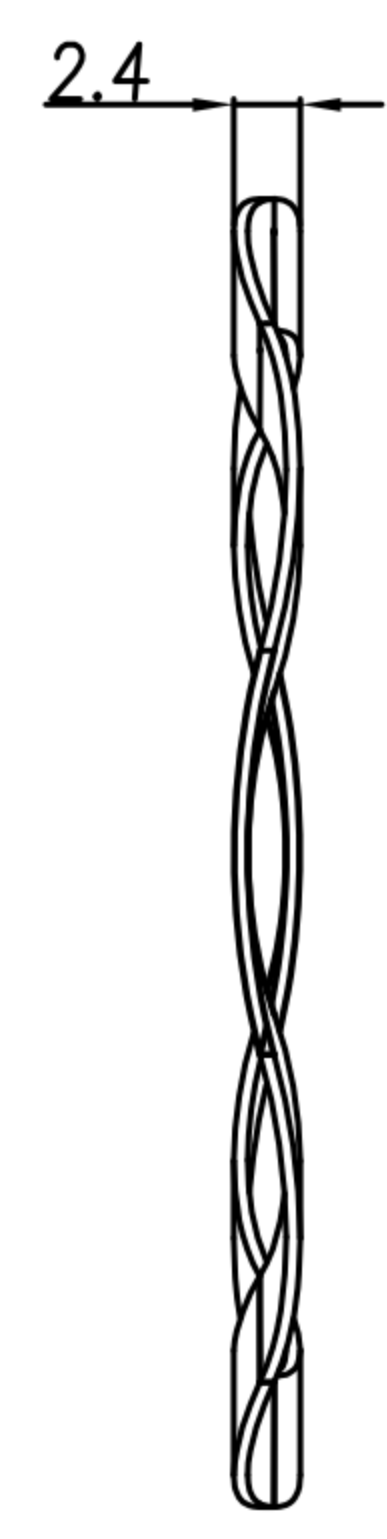
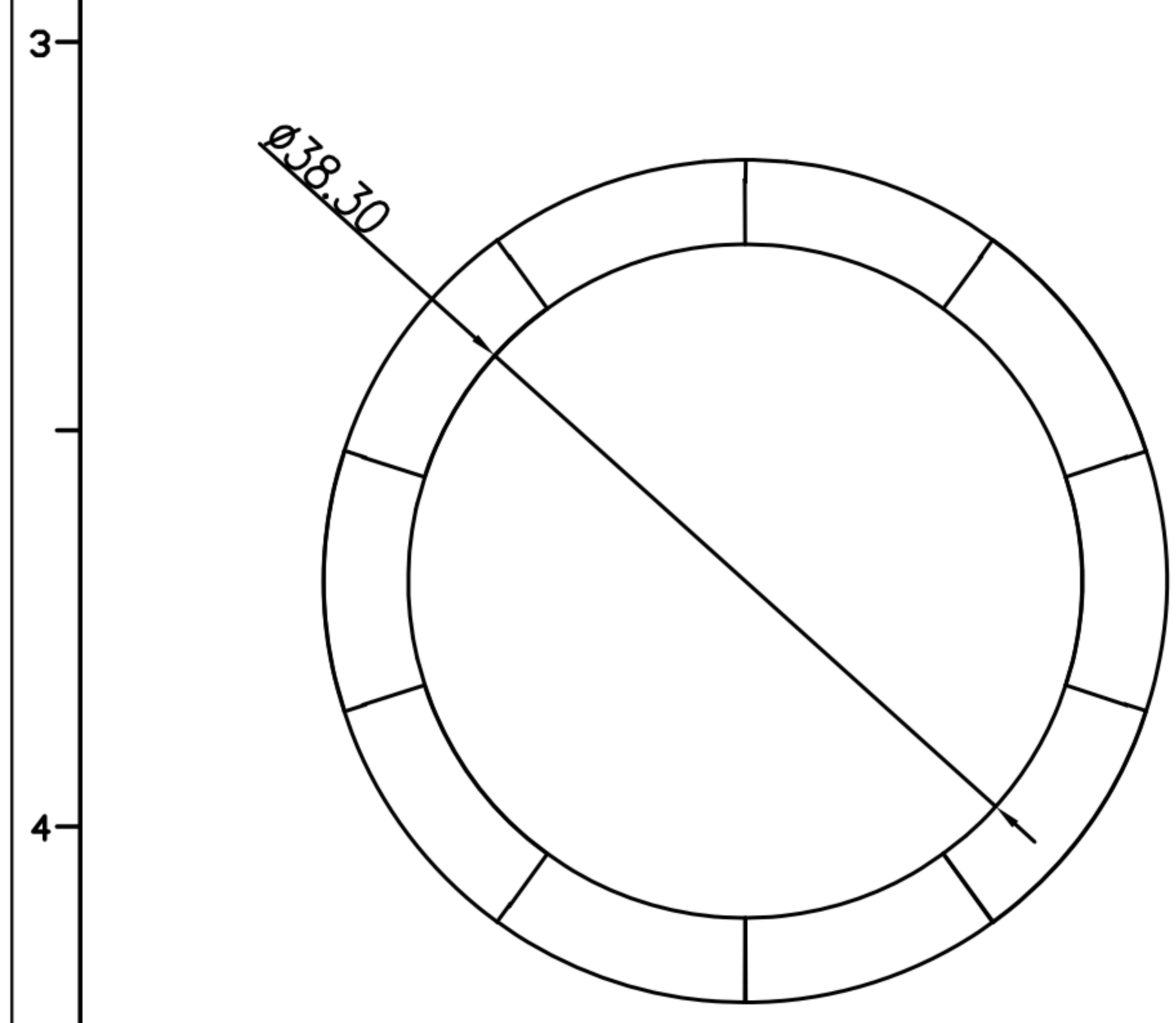
A B C D E F

CUSTOMER DRAWING

REV.	DESCRIPTION	APPROVED BY	DATE	ECN NO.
A	RELEASE	EMILY SUEN	03/01/11'	
B				
C				



1. MATERIAL :
- 1-1. INSULATOR : PA66 ; COLOR : GREEN
  - 1-2. HOUSING : PA66 ; COLOR : BLACK
  - 1-3. REAR COVER : PA66 ; COLOR : GREEN
  - 1-4. NUT : PA66 ; COLOR : GREEN
  - 1-5. RUBBER : SILICONE ; COLOR : ORANGE
  - 1-6. WASHER : K7
2. ELECTRICAL SPECIFICATION :
- 2-1. Rated current : 13A
  - 2-2. Rated Voltage : 500V
  - 2-3. Water proof : IP67
3. Environmental :
- 3-1. Operation Temperature : -40~105°



WASHER

NUT

RECOMMENDED MOUNTING HOLE

DRAWN	Yeh Chou	APP'D	Ku Chou	UNIT	mm	TOLERANCE		广东科斯达电子科技有限公司 GUANG DONG KE SI DA ELECTRONIC TECHNOLOGY CO., LTD.	TITLE	防水9PIN(F)前置 1.500-18UNEF-2A(53.7)(绿色)			SHEET	
CHK'D	Yeh Chou			SCALE	1:1	.x ±0.10 .xx ±0.05 .xxx ±0.03 .xxxx ±0.01 ANGULA ±1°			PART NO.	WP-09F2-09-11	DWG NO.	QC7816	VERSION	