

CUSTOMER DRAWING

REV.	DESCRIPTION	APPROVED BY	DATE	ECN NO.
A	RELEASE	Fido Weng	20/10/10'	
B	新增料號	KU	11/09/17'	
C	修正端子材質	KU	25/04/18'	

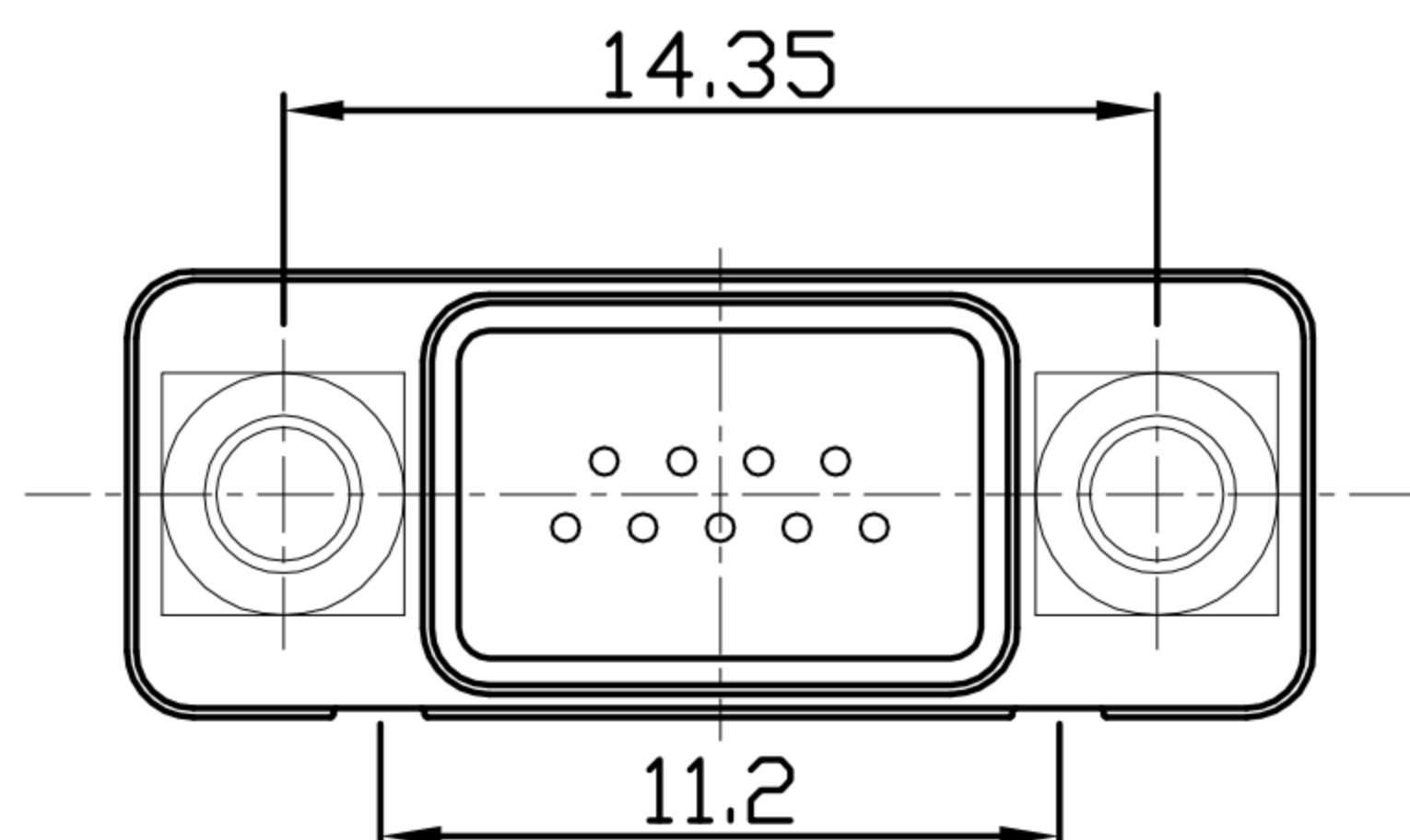
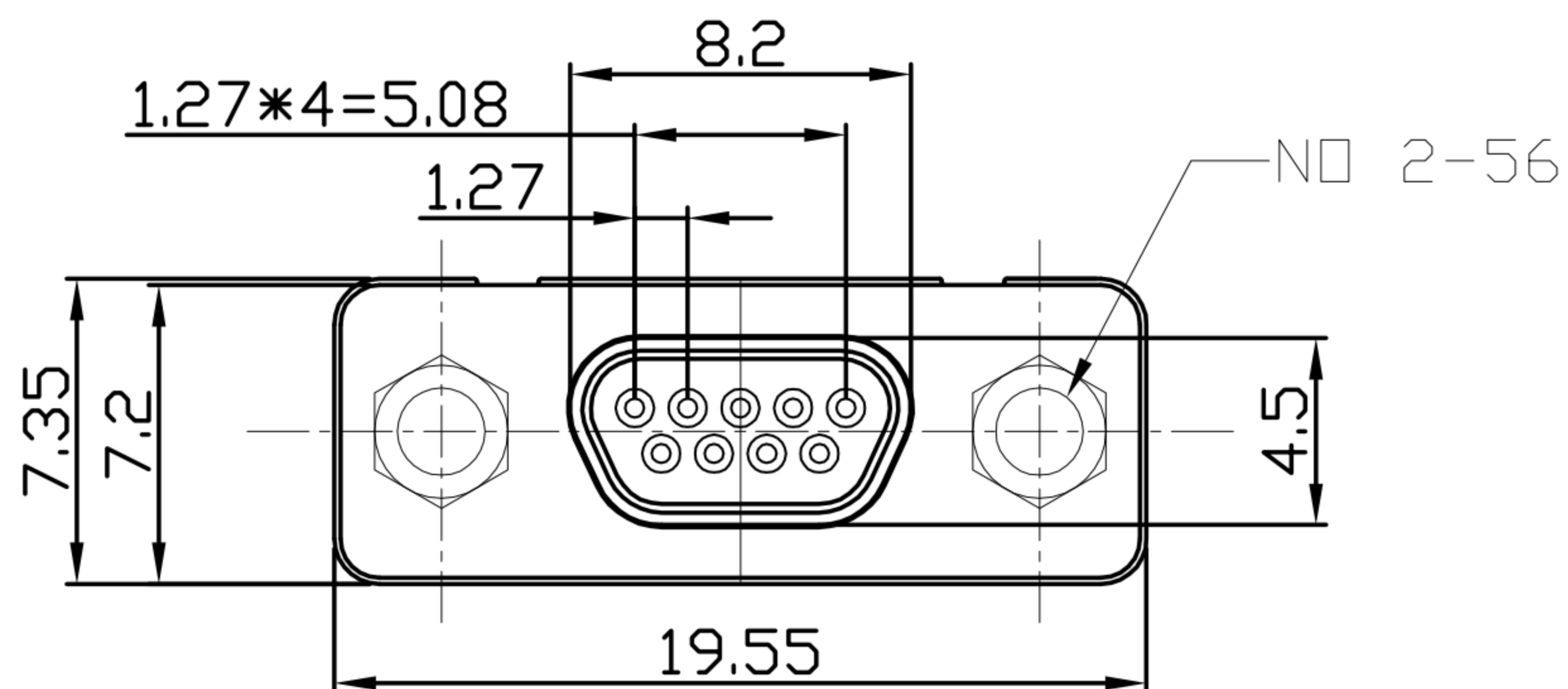
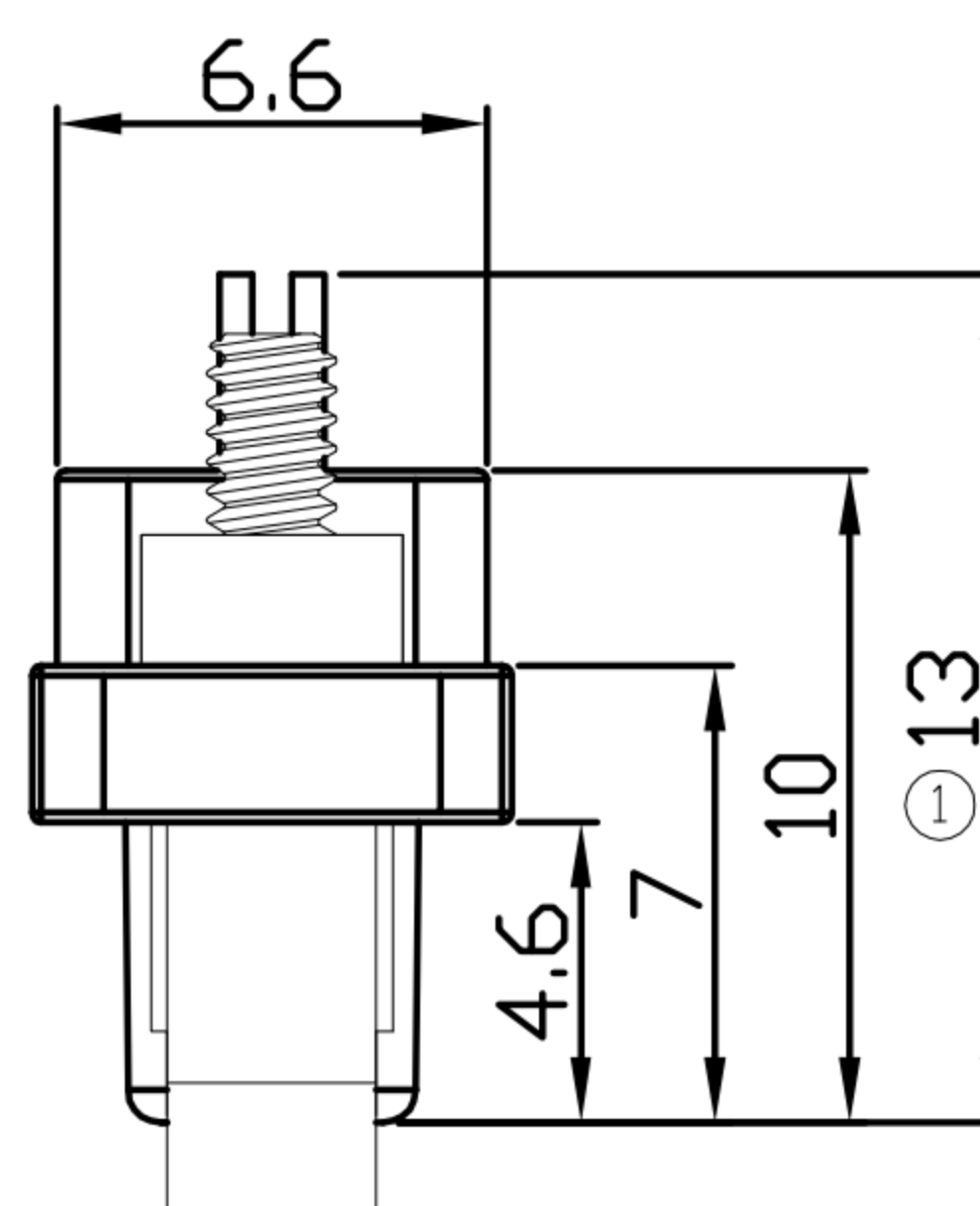
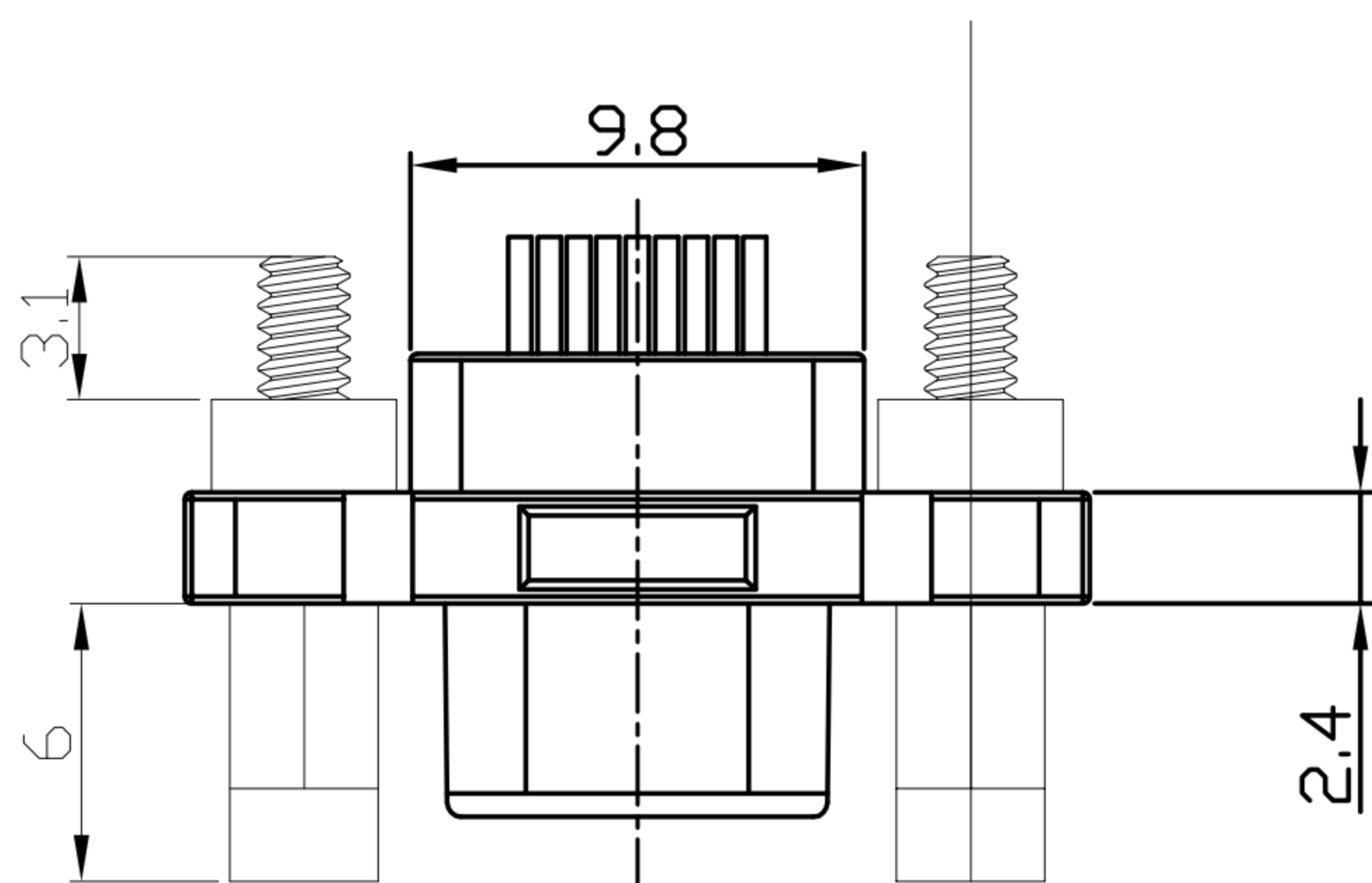


TABLE A

P/N	NUMBER OF PINS	A	B	C	D
DB-09F2-05	9	19.55	14.35	5.08	3.81
DB-15F2-05-11	15	23.36	18.20	8.89	7.62
DB-25F2-06-11	25	29.70	24.55	15.24	13.97



1. MATERIAL :

- 1-1. PLASTIC SHELL : Zn ALLOY
- 1-2. CONTACT : PHOSPHOR BRONZE
- 1-3. HOUSING : PBT UL 94V-0

2. FINISH :

- 2-1. PLASTIC SHELL : NICKEL 60u" OVER ALL
- 2-2. CONTACT : GOLD 15u" ON CONTACT AERA  
GOLD FLASH OVER ALL

DRAWN	Mark Kao	APP'D	Emily Suen	UNIT	mm	TOLERANCE			TITLE	MICRO D-SUB (F) 帶螺絲			SHEET	
CHK'D	Ku Chou			SCALE	1:1				PART NO.	SEE TABLE A	DWG NO.	QC4754	VERSION	

广东科斯达电子科技有限公司  
GUANG DONG KE SI DA ELECTRONIC TECHNOLOGY CO., LTD.