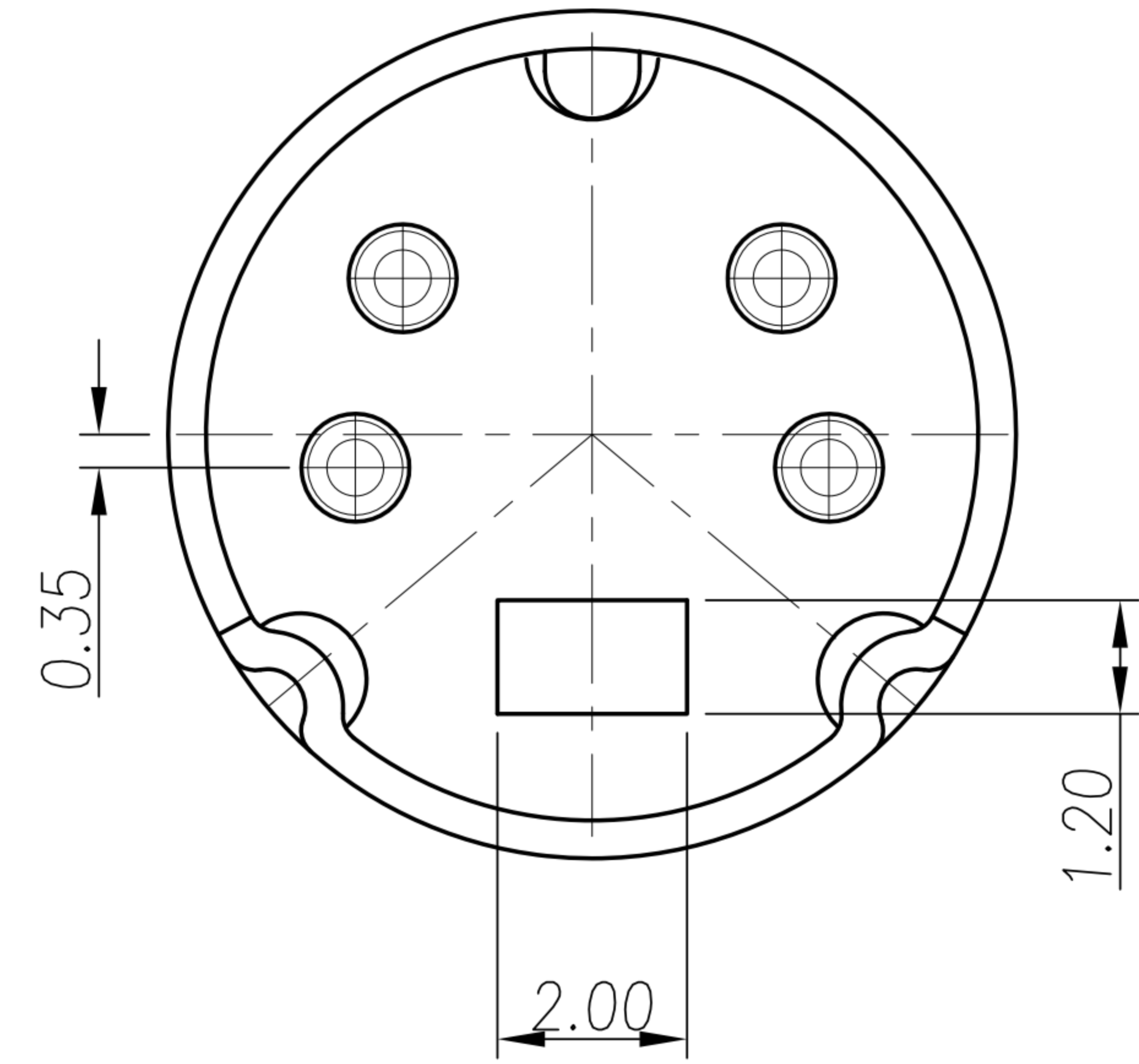
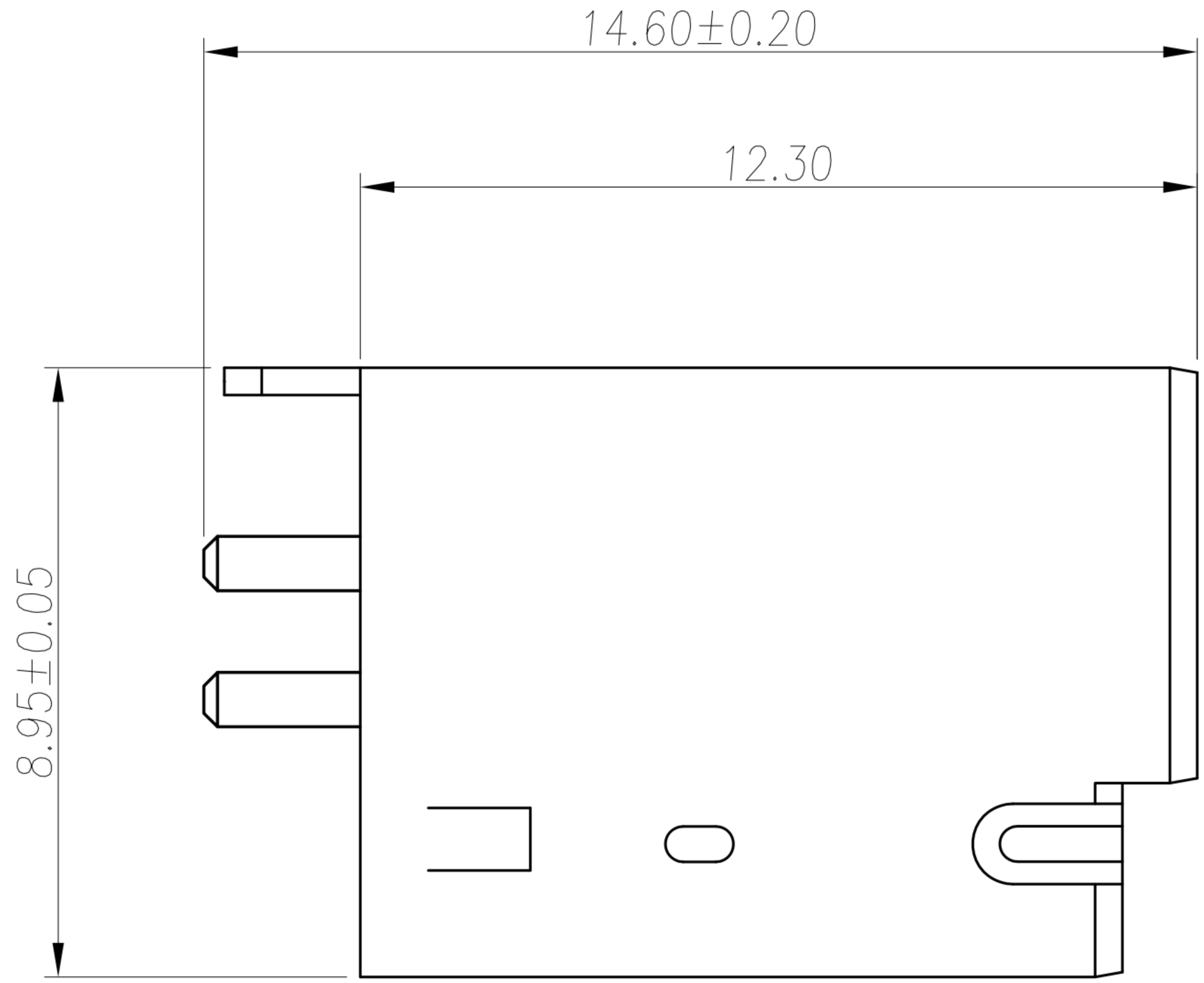


CUSTOMER DRAWING

REV.	DESCRIPTION	APPROVED BY	DATE	ECN NO.
A	RELEASE TO PRODUCTION	Fido Weng	19/11/10*	ECN10132
B				
C				



NOTE :

1. MATERIAL :
  - 1-1. HOUSING : PBT UL94V-0 ; COLOR : BLACK
  - 1-2. CONTACT : BRASS
  - 1-3. SHELL : BRASS
2. FINISH :
  - 2-1. CONTACT : SEE TABLE A
  - 2-2. SHELL : SEE TABLE A
3. ELECTRICAL SPECIFICATION :
  - 3-1. Rated current : 2A
  - 3-2. Rated Voltage : 12V

TABLE A

MD-04M1-14	GOLD FLASH / 表金	GOLD FLASH / 表金
MD-04M1-13	GOLD FLASH / 表金	NICKEL 30u" / 鍍 30"
MD-04M1-05	SILVER / 銀	NICKEL 30u" / 鍍 30"
P/N	CONTACT	SHELL

DRAWN	Jen Xie	APP'D	Fido Weng	UNIT	mm	TOLERANCE		广东科斯达电子科技有限公司 GUANG DONG KE SI DA ELECTRONIC TECHNOLOGY CO., LTD.	TITLE	MiniDin 4(M)成型式			SHEET	1 A
CHK'D	Emily Suen			SCALE	1:1	.x ±0.20 .xx ±0.10 .xxx ±0.05 .xxxx ±0.03 ANGULA ±1°			PART NO.	SEE TABLE A	DWG NO.	QC5103	VERSION	