

CUSTOMER DRAWING

REV.	DESCRIPTION	APPVL. BY	DATE	ECN NO.
A	RELEASE	Yeh Chou	27/03/09	
B				
C				
D				

54.5 (REF)

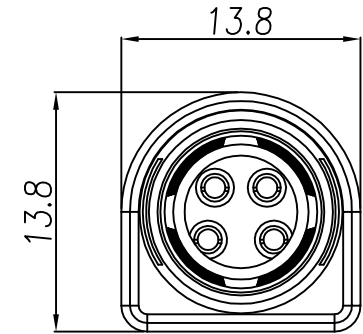
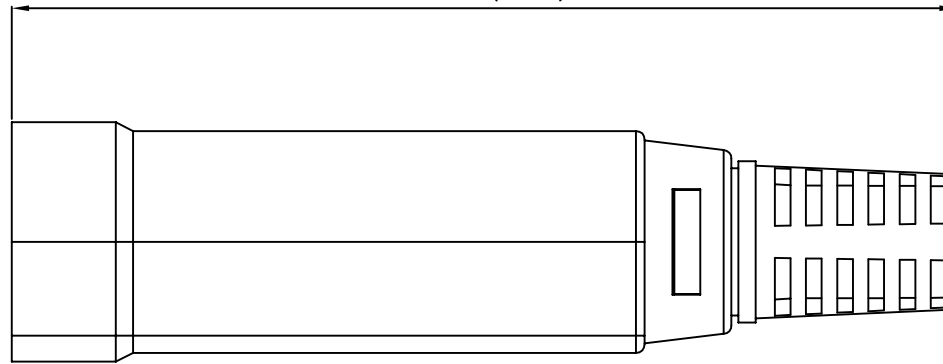
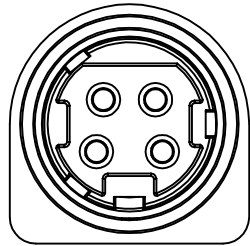


TABLE A

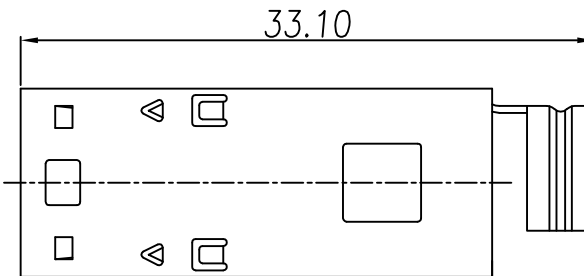
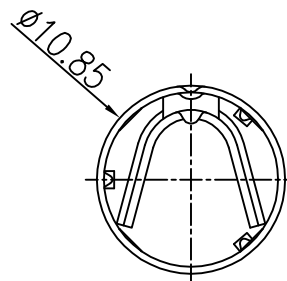
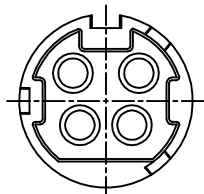
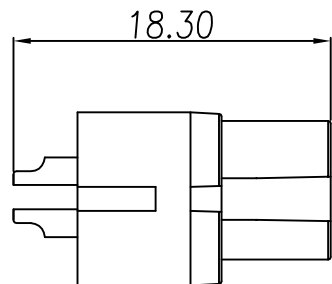
PART NO	SR(OD)	SR(L)
PD-04F2-24-01	6.5	16.3
PD-04F2-23-01	7.0	16.15
PD-03F2-10-01	7.0	16.15
PD-03F2-11-01	5.5	16.0
PD-03F2-12-01	6.5	16.3
PIN 1		
PIN 2		
PIN 3		
PIN 4		

1. MATERIAL :
 - 1-1. HOUSING : PBT UL94V-0 ; COLOR : BLACK
 - 1-2. CONTACT : PHOSPHOR BRONZE
 - 1-3. SHELL : BRASS
 - 1-4. BODY : ABS
 - 1-4. SR : PVC
2. FINISH :
 - 2-1. CONTACT : TIN PLATING OVER NICKEL
 - 2-2. SHELL : NICKEL PLATED 60u" ~ 100u" OVER ALL
3. ELECTRICAL SPECIFICATION :
 - 3-1. RATING CURRENT : 4P 7.5A
3P PIN1~2 7.5A
3P PIN3 1A
 - 3-2. RATING VOLTAGE : 20V DC
4. ENVIRONMENTAL :
 - 4-1. OPERATION TEMPERATURE : -20 °C~85°C

DRAW	KU	APPVL	Emily Suen	UNIT	mm	TOLERANCE			TITLE	POWER DIN (F) 插接式 OD:SEE TABLE A			SHEET
CHECK	Emily Suen			SCALE	1:1	.x ±0.20 .xx ±0.10 .xxx ±0.05 .xxxx ±0.01 ANGULA ±1°			PART NO.	SEE TABLE A	DWG NO.	QC9254	VERSION

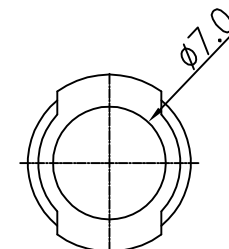
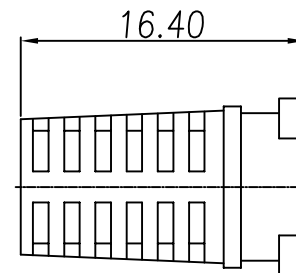
CUSTOMER DRAWING

REV.	DESCRIPTION	APPVL. BY	DATE	ECN NO.
A	Release	Fideo Weng	27/03/09"	
B				
C				
D				



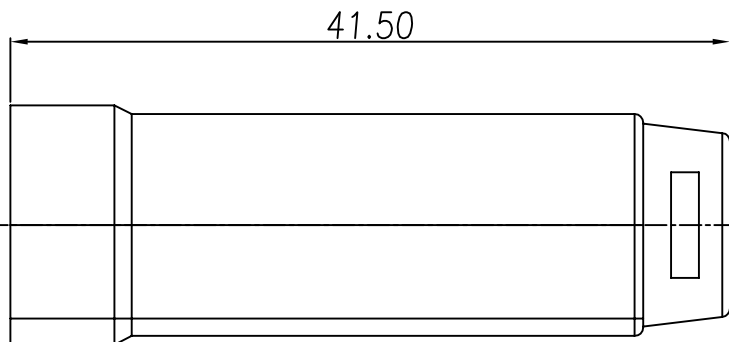
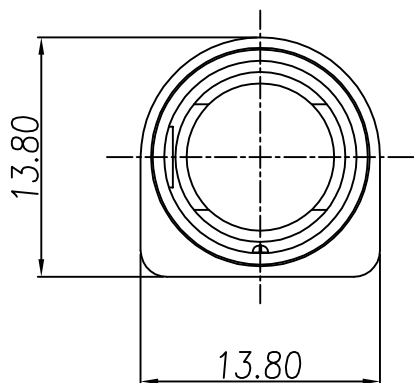
NY-DM882-01 (4P)
 NY-DM885-01 (3P)

OY-DM0810-00



ON-DM0072

- MATERIAL :
 - 1-1. HOUSING : PBT UL94V-0 ; COLOR : BLACK
 - 1-2. CONTACT : PHOSPHOR BRONZE
 - 1-3. SHELL : BRASS
 - 1-4. BODY : ABS
 - 1-4. SR : PVC
- FINISH :
 - 2-1. CONTACT : TIN PLATING OVER NICKEL
 - 2-2. SHELL : NICKEL PLATED 60u" ~ 100u" OVER ALL
- ELETRICAL SPECIFICATION :
 - 3-1. RATING CURRENT : 4P 7.5A
 3P PIN1~2 7.5A
 3P PIN3 1A
 - 3-2. RATING VOLTAGE : 20V DC
- ENVIRONMENTAL :
 - 4-1. OPERATION TEMPERATURE : -20 °C~85°C



ON-DM0531-01

DRAW	KU	APPVL	Emily Suen	UNIT	mm	TOLERANCE		广东科斯达电子科技有限公司 GUANG DONG KE SI DA ELECTRONIC TECHNOLOGY CO., LTD.	TITLE	POWER DIN 4P (F) 插接式 OD7.0			SHEET	1
CHECK	Emily Suen			SCALE	1:1	.x ±0.20 .xx ±0.10 .xxx ±0.05 .xxxx ±0.01 ANGULA ±1°			PART NO.	PD-04F2-23-01	DWG NO.	QC9254	VERSION	A