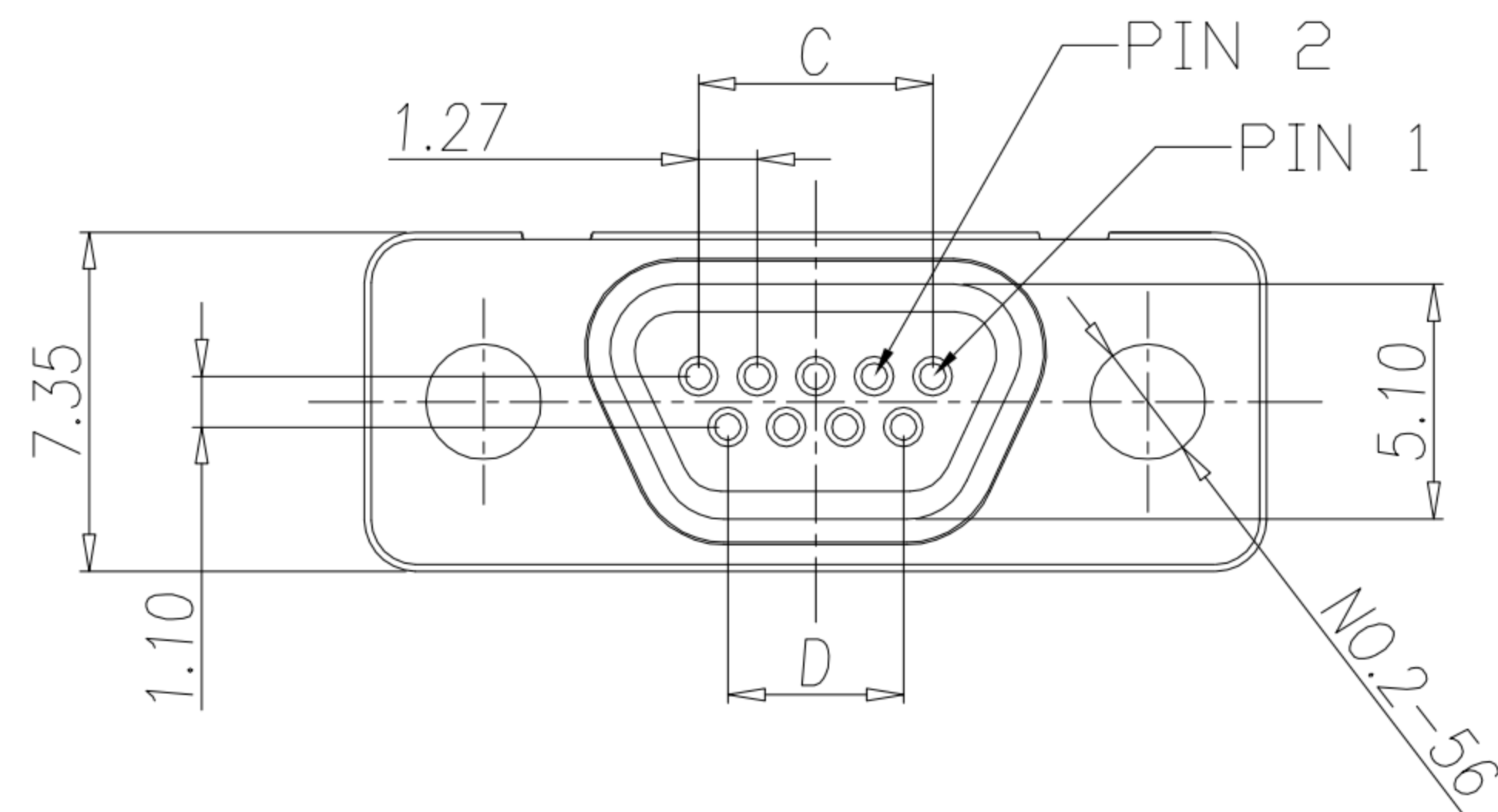
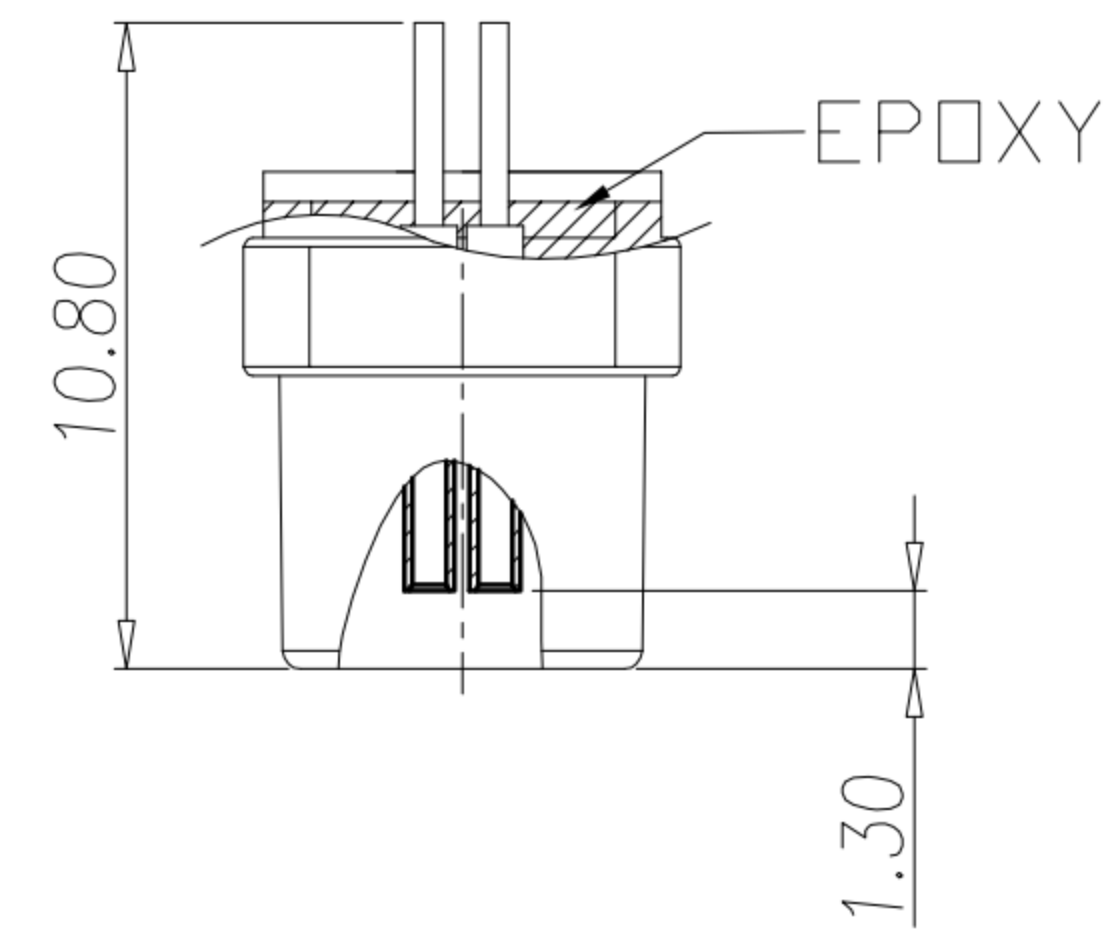
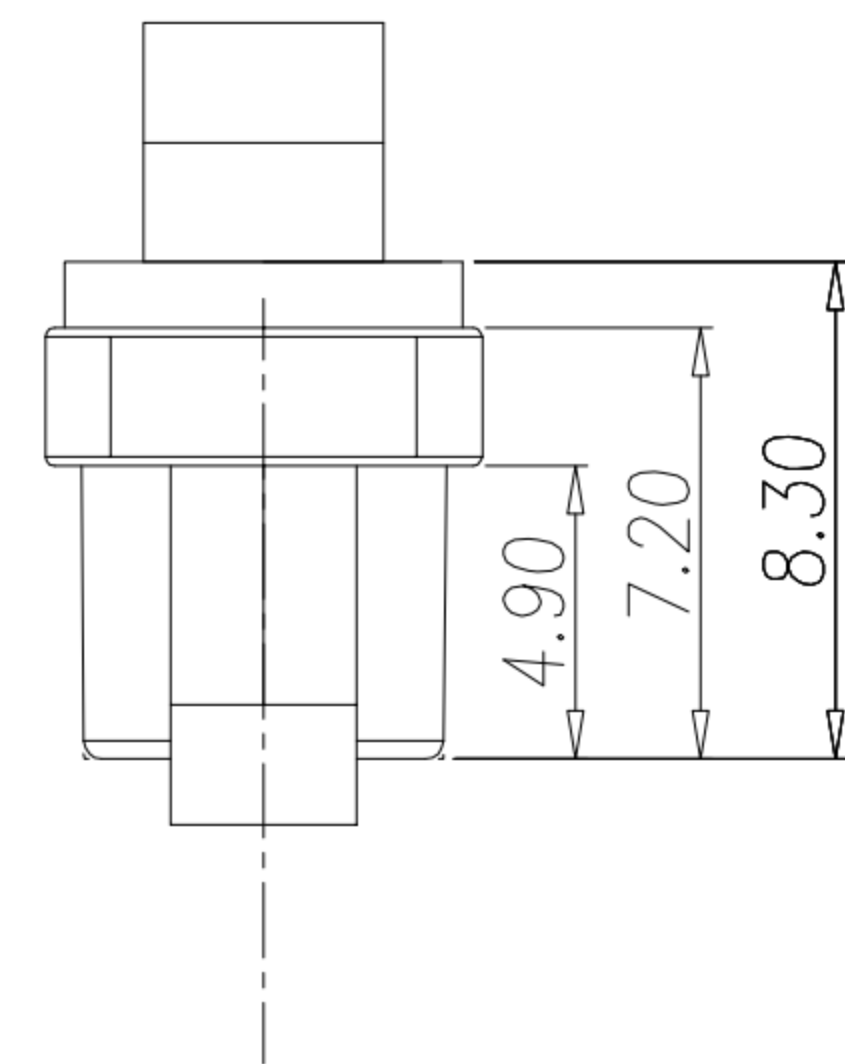
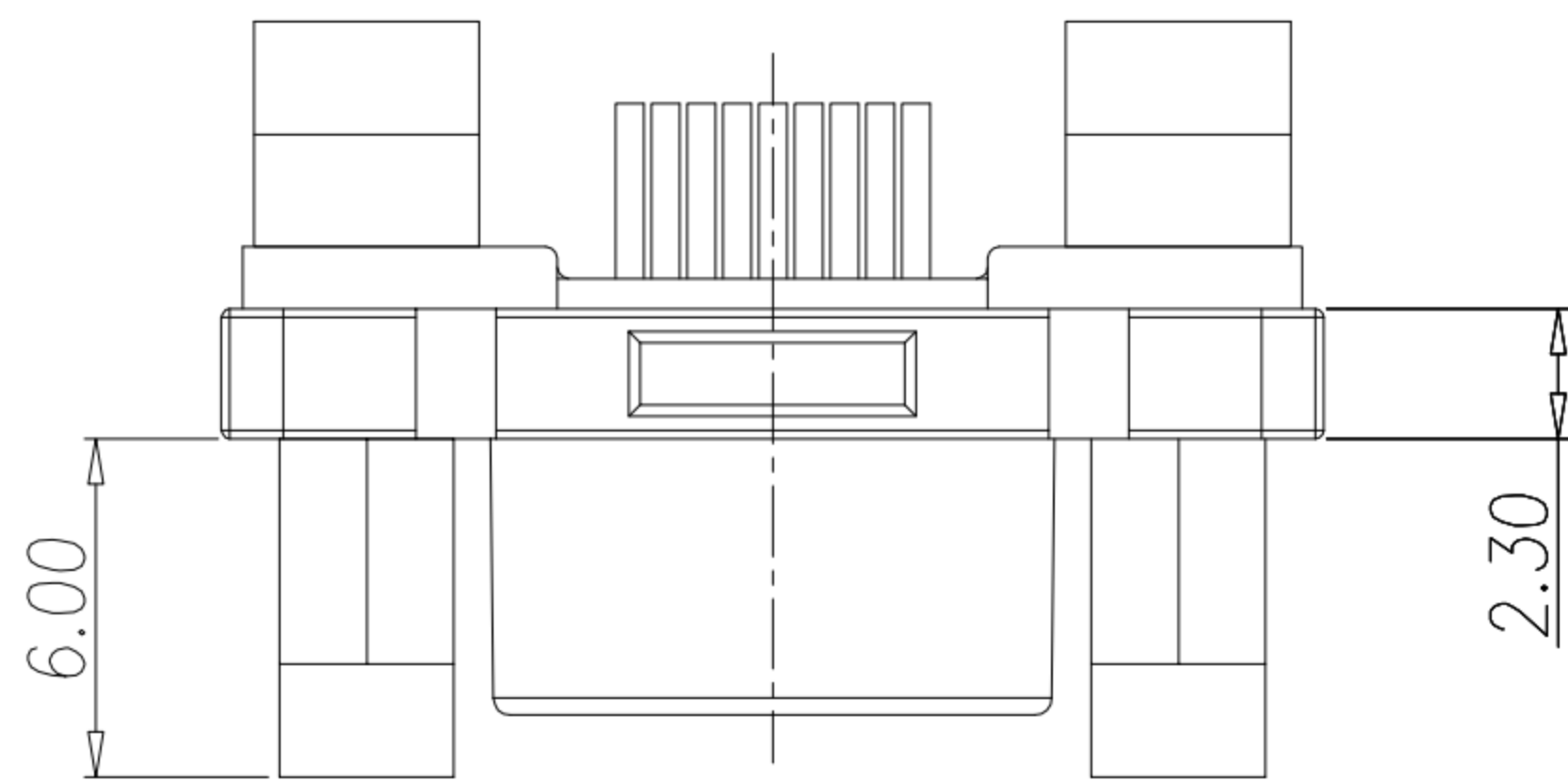
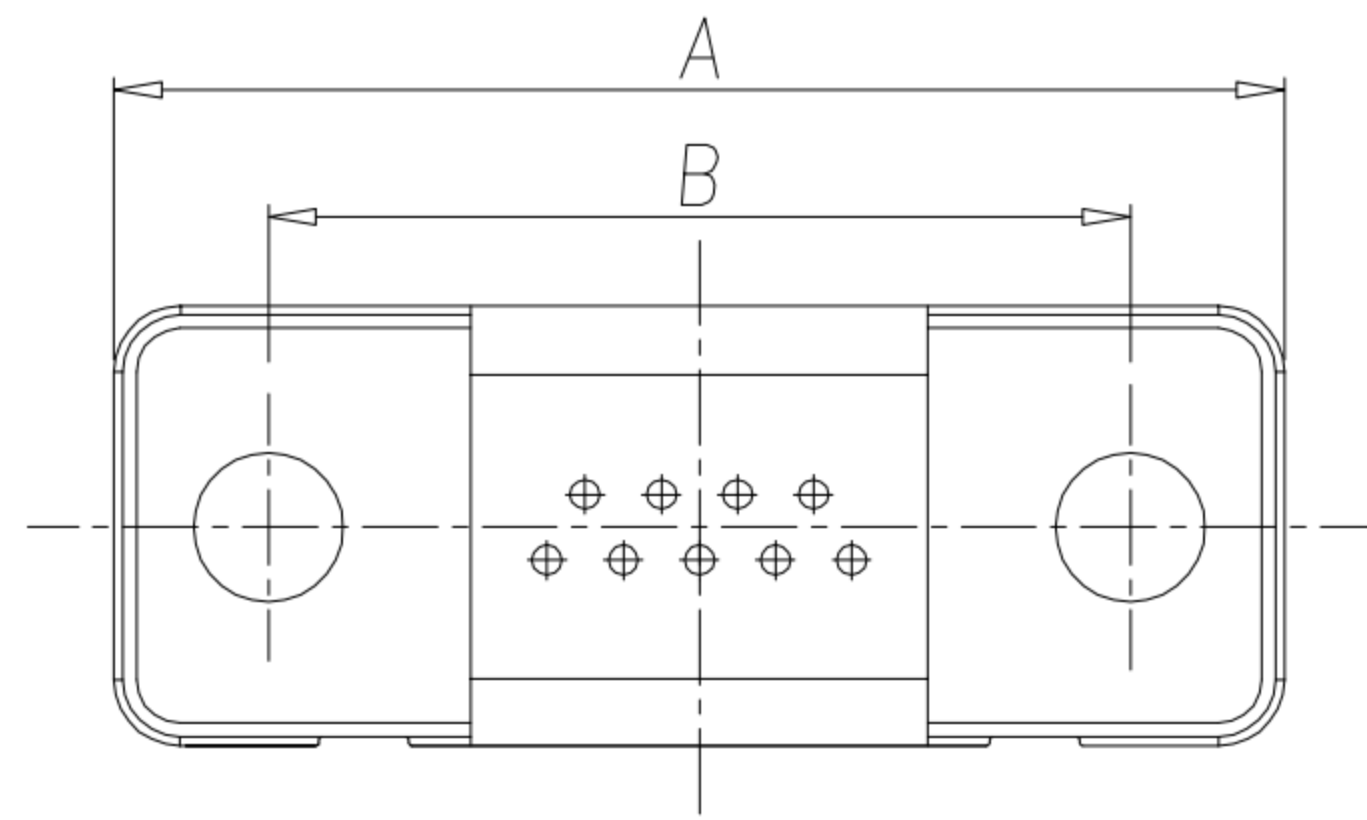


CUSTOMER DRAWING

REV.	DESCRIPTION	APPROVED BY	DATE	ECN NO.
△A	RELEASE&CHANFE P/N	Emily Suen	07/12/2011"	
△B				
△C				

TABLE A

P/N	NUMBER OF PINS	A	B	C	D	E
DB-09M2-10-11	9	19.55	14.35	5.08	3.81	8.90
DB-15M2-07-11	15	23.36	18.20	8.89	7.62	12.60
DB-25M2-05-11	25	29.70	24.55	15.24	13.97	18.95



1. MATERIAL :
 - 1-1. HOUSING : PBT UL94V-0 ; COLOR : BLACK
 - 1-2. CONTACT : BRASS
 - 1-3. SHELL : Zn Alloy
2. FINISH :
 - 2-1. CONTACT : GOLD 15u" ON OVER ALL
 - 2-2. SHELL : NICKEL PLATED 60u" ~ 100u" OVER ALL
3. ELECTRICAL SPECIFICATION :
 - 3-1. Rated current : 1A at 25°C/77°F, 0.7A at 70°C/158°F
 - 3-2. Voltage : 350Vac
4. Environmental :
 - 4-1. Operation Temperature : -40°C~+125°C

DRAWN	Yeh Chou	APP'D	Emily Suen	UNIT	mm	TOLERANCE			TITLE	MICRO D-SUB (M) (帶螺絲L=6.0)			SHEET	1/1
CHK'D	Emily Suen			SCALE	1:1	ANGULA			±1°	PART NO.	TABLE A	DWG NO.	QC8015	VERSION

广东科斯达电子科技有限公司
GUANG DONG KE SI DA ELECTRONIC TECHNOLOGY CO., LTD.