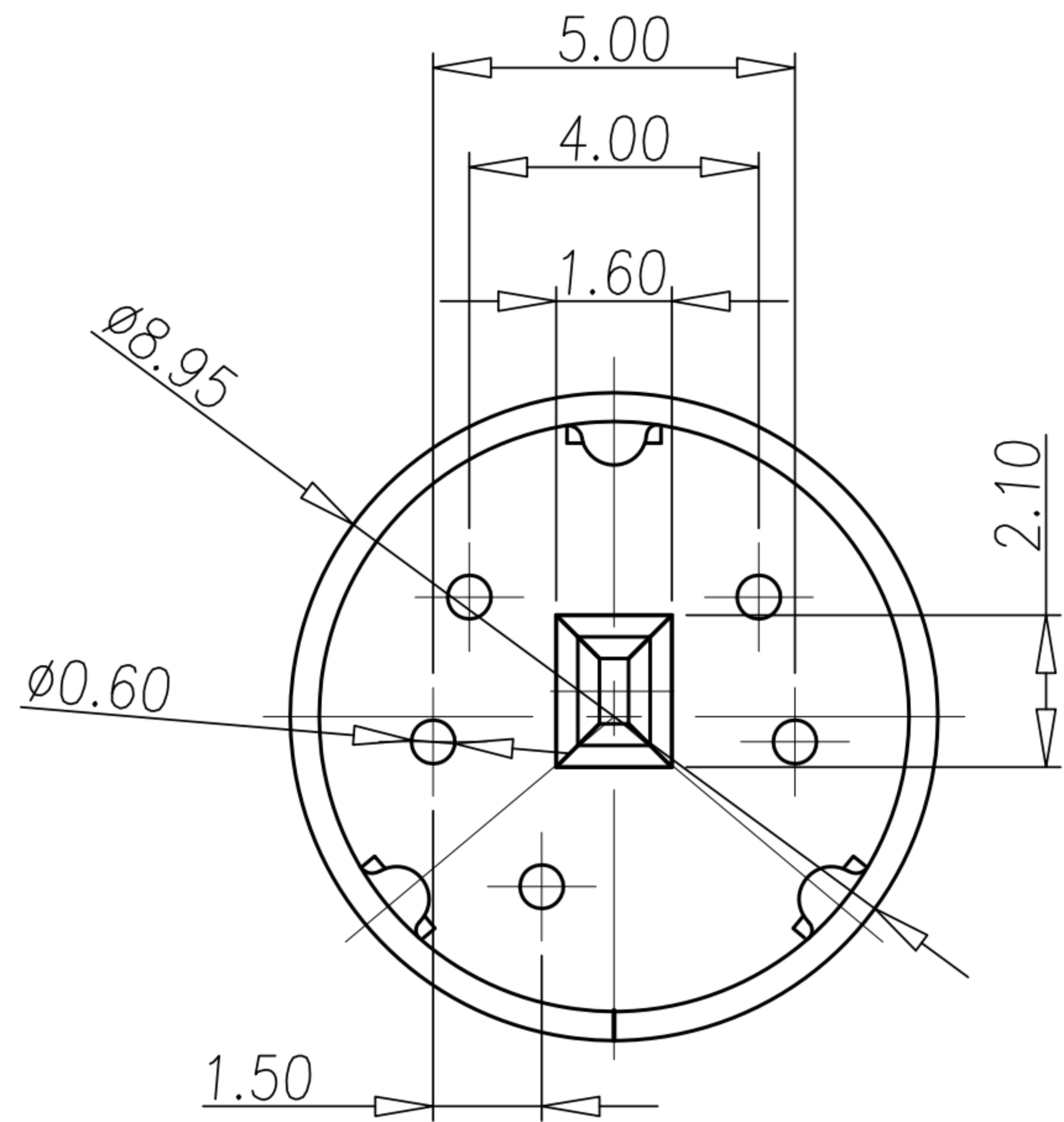
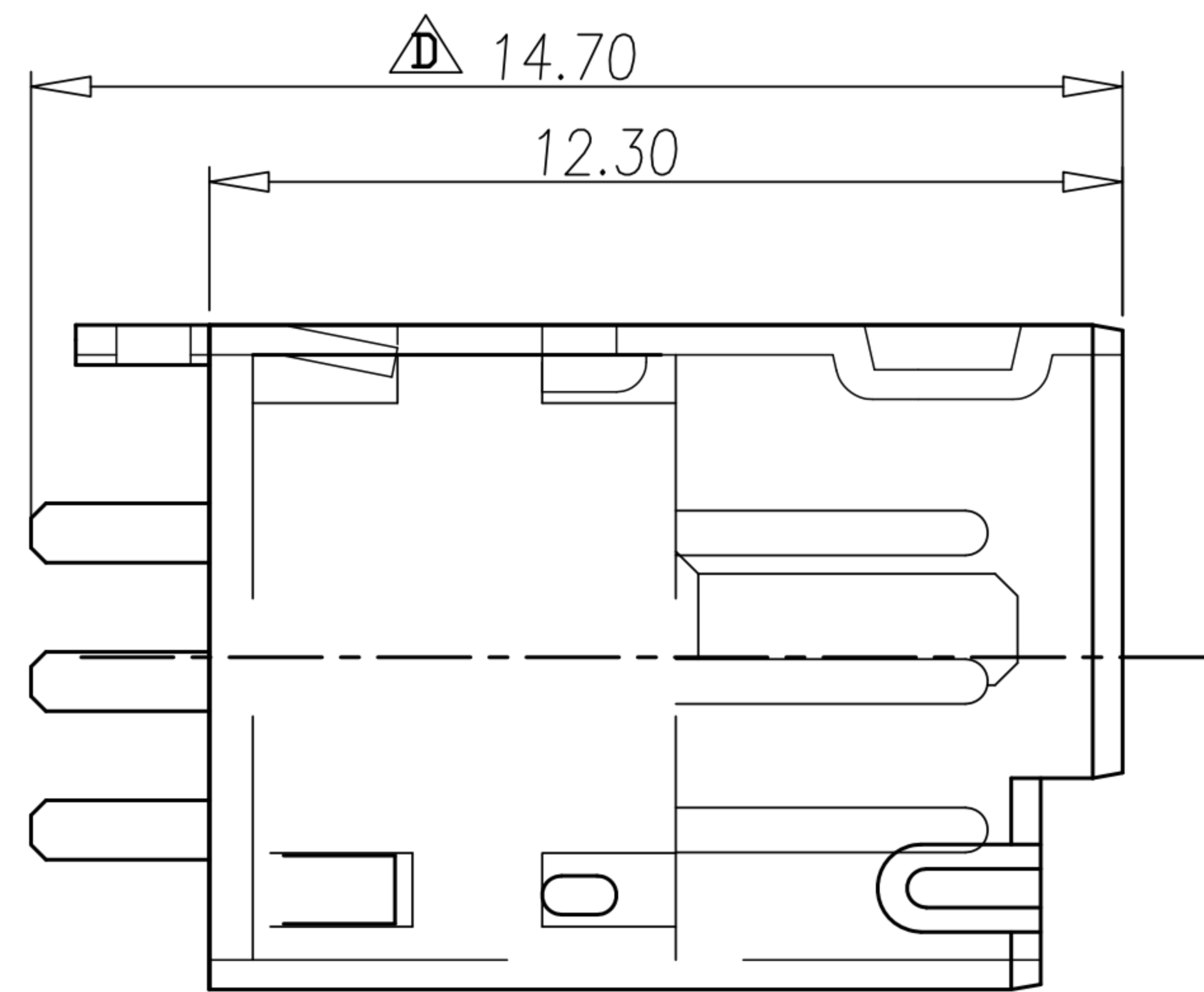
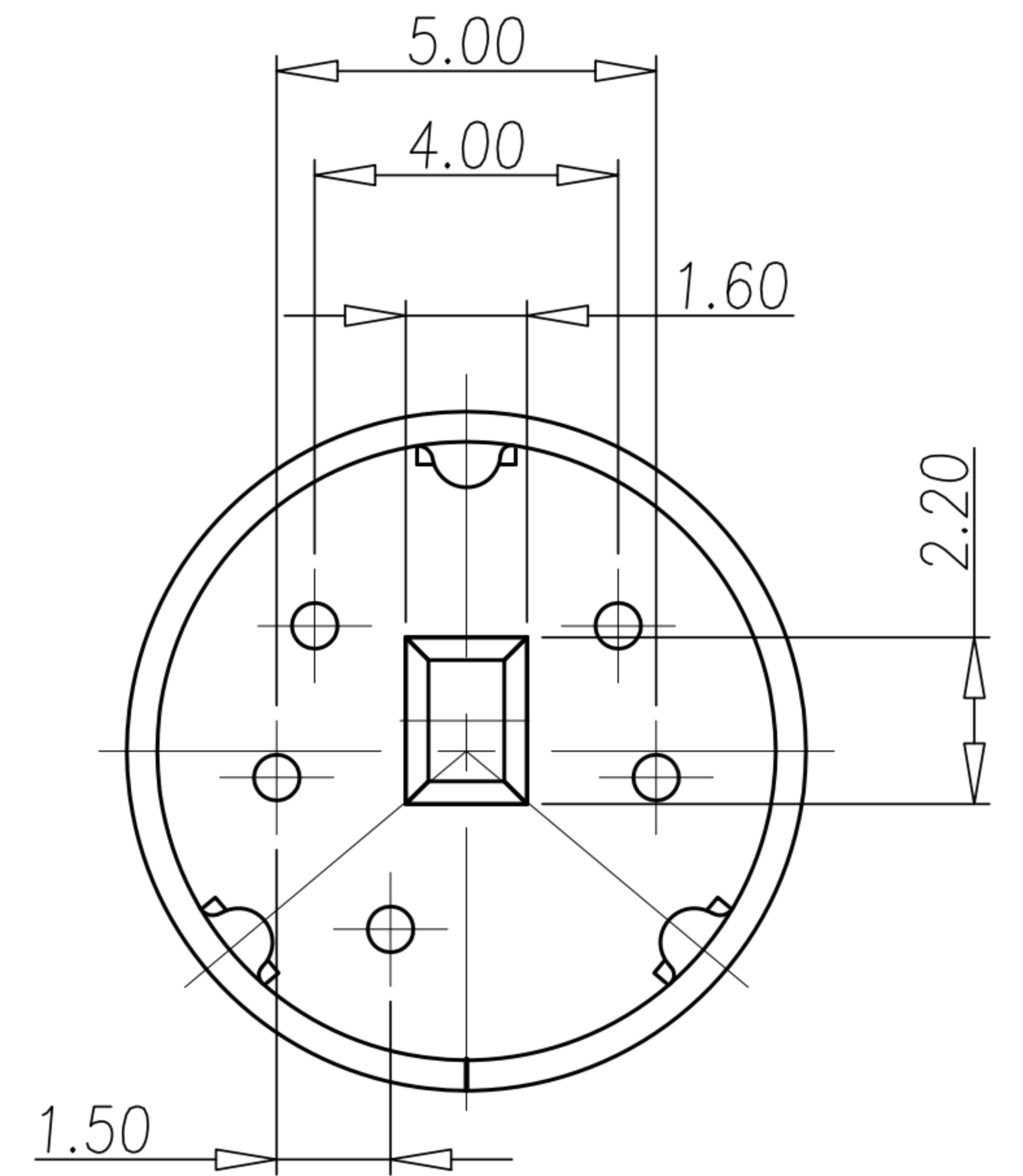


CUSTOMER DRAWING

REV.	DESCRIPTION	APPROVED BY	DATE	ECN NO.
A	RELEASE		15/05/09*	
B	ADD TABLE A & CHANGE DIM		17/06/09*	
C	ADD NEW PART NO. IN TABLE A		20/04/10*	
D	CHANGE DIM		03/08/10*	



MD-05M1-09



MD-05M1-01
MD-05M1-08
MD-05M1-11

NOTE :

1. MATERIAL :
 - 1-1. HOUSING : SEE TABLE A ; COLOR : BLACK
 - 1-2. CONTACT : BRASS
 - 1-3. SHELL : BRASS T=0.4
2. FINISH :
 - 2-1. CONTACT : SEE TABLE A
 - 2-2. SHELL : NICKEL PLATED OVER ALL

TABLE A

MD-05M1-11	MD 5P成品無倒角	1.6*1.0	PBT UL94V-0	銀/SILVER
MD-05M1-09	MD 5P成品有倒角	1.5*1.0	NYLON66 UL94V-0	亮錫/BRIGHT TIN
MD-05M1-08	MD 5P成品無倒角	1.6*1.0	PBT UL94V-0	表金/GOLD FLASH
MD-05M1-01	MD 5P成品無倒角	1.6*1.0	PBT UL94V-0	亮錫/BRIGHT TIN
P/N	DESCRIPTION	柱子	MATERIAL	FINISH

DRAWN	LILY QIN	APP'D	Fido Weng	UNIT	mm	TOLERANCE		广东科斯达电子科技有限公司 GUANG DONG KE SI DA ELECTRONIC TECHNOLOGY CO., LTD.	TITLE	SEE TABLE A			SHEET
CHK'D	Emly Suen			SCALE	1:1	.x ±0.20 .xx ±0.10 .xxx ±0.05 .xxxx ±0.03 ANGULA ±1°			PART NO.	SEE TABLE A	DWG NO.	QC1187	VERSION