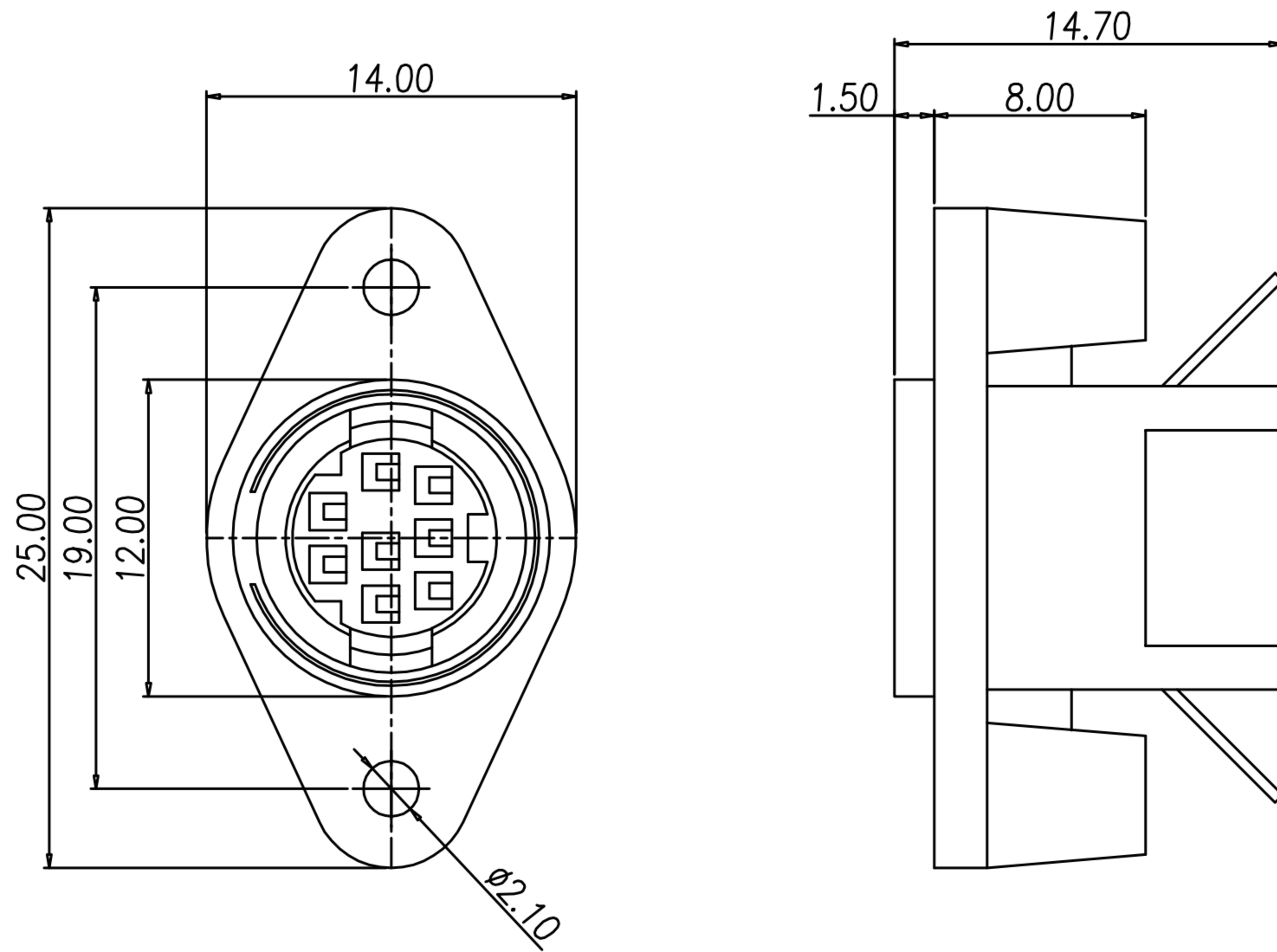
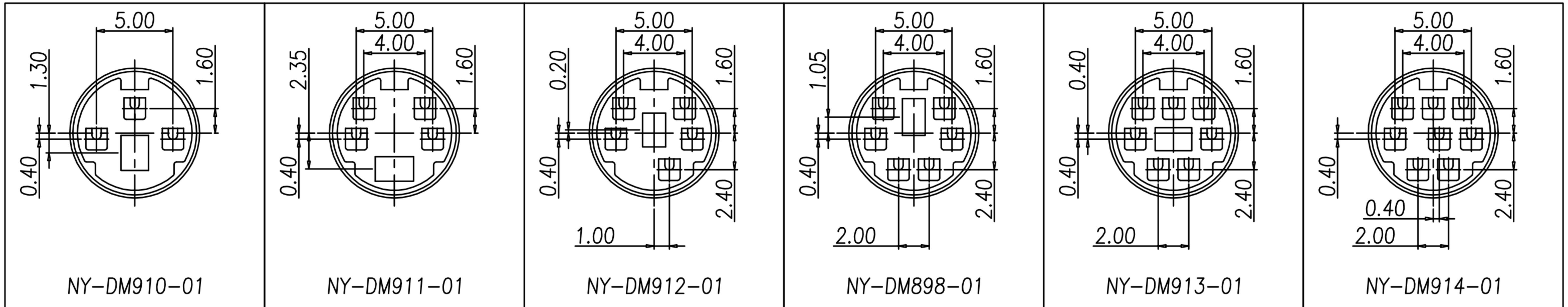


CUSTOMER DRAWING

REV.	DESCRIPTION	APPROVED BY	DATE	ECN NO.
A	RELEASE	Emily Suen	07/12/2011'	
B	更新	yeh	09/07/2020'	
C				



1. MATERIAL :
  - 1-1. HOUSING : PBT UL94V-0 ; COLOR : BLACK
  - 1-2. SHELL : BRASS
2. FINISH :
  - 2-1. SHEL : BRIGHT TIN 60u" ON OVER ALL
3. ELECTRICAL SPECIFICATION :
  - 3-1. Rated current : 1A
  - 3-2. Voltage : 100V AC
4. Environmental :
  - 4-1. Operation Temperature : -20℃~+85℃



DRAWN	Yeh Chou	APP'D	Ku Chou	UNIT	mm	TOLERANCE			广东科斯达电子科技有限公司 GUANG DONG KE SI DA ELECTRONIC TECHNOLOGY CO., LTD.	TITLE	MINI DIN(F)雙耳鎖板式(半成品)			SHEET	1
CHK'D	Emily Suen			SCALE	1:1					PART NO.	SEE TABLE A	DWG NO.	QC9512	VERSION	B