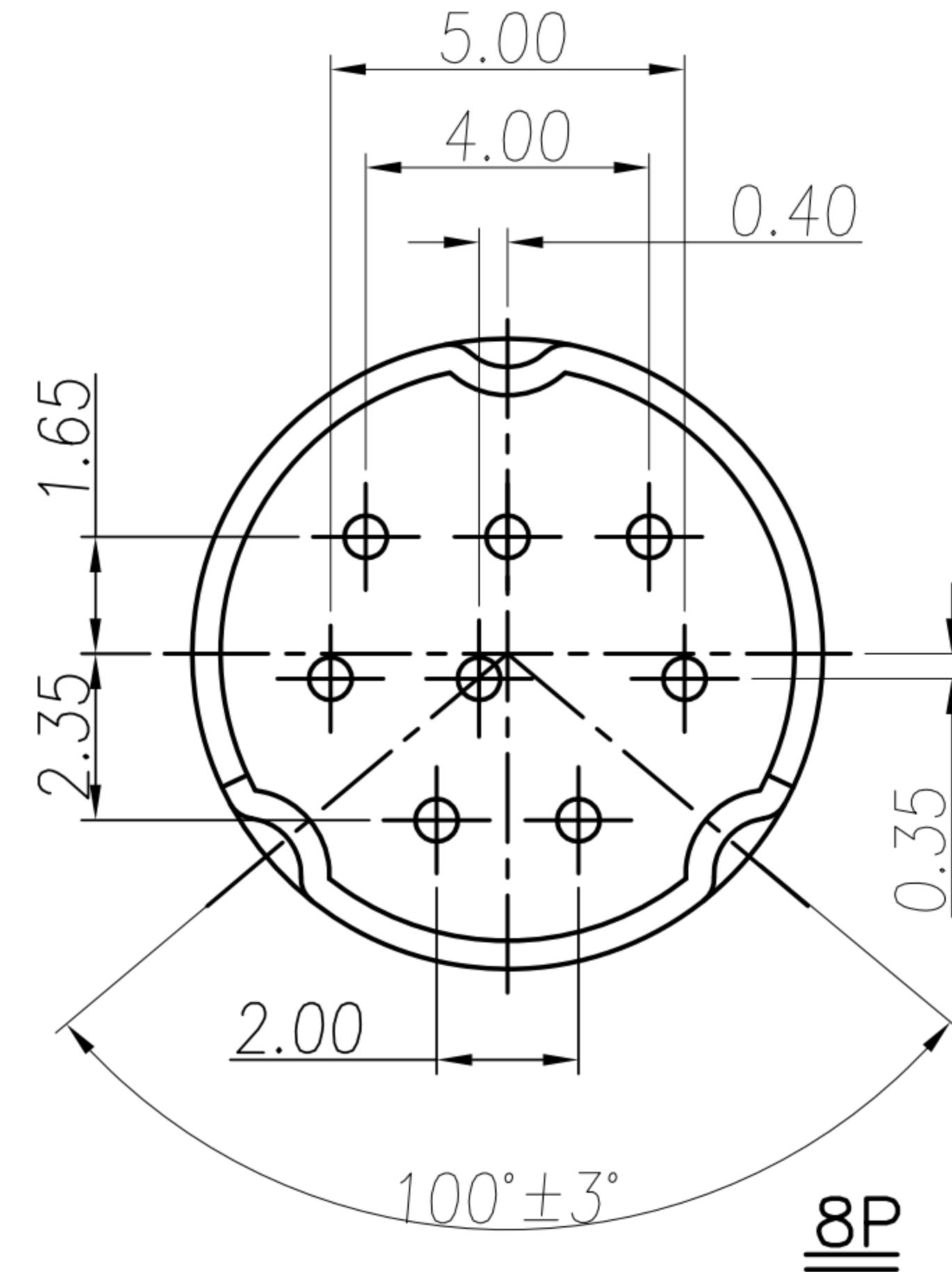
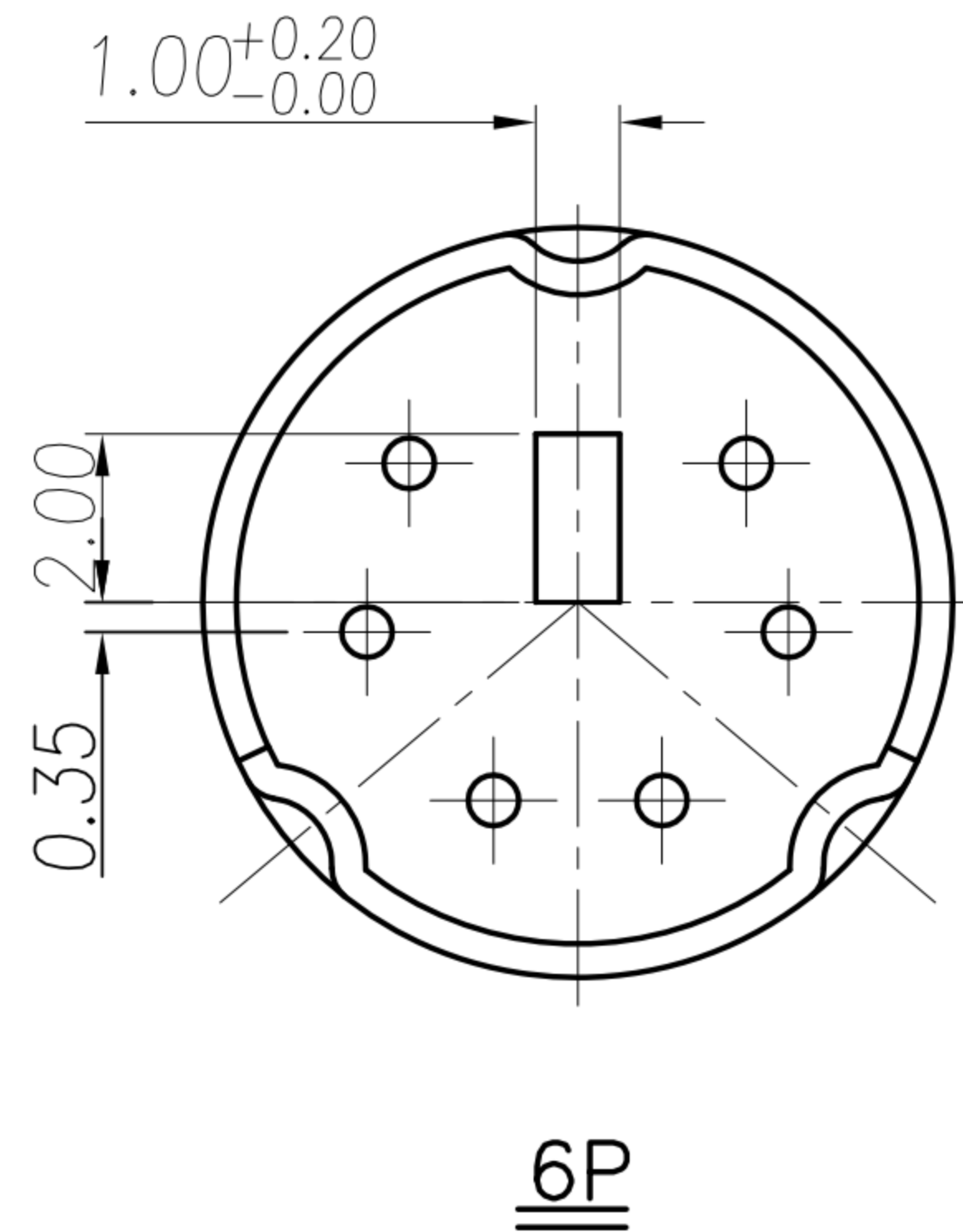
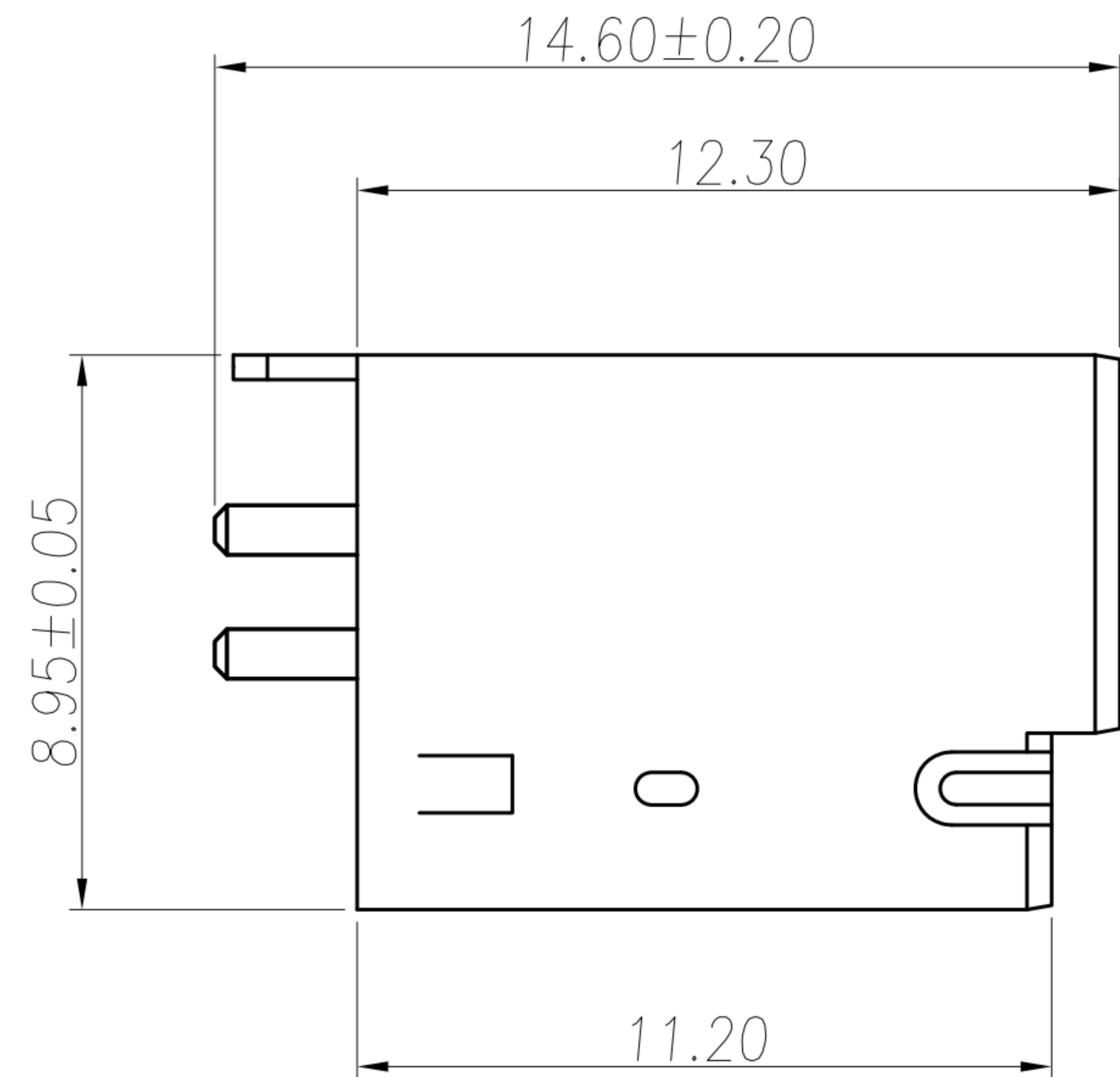


CUSTOMER DRAWING

REV.	DESCRIPTION	APPROVED BY	DATE	ECN NO.
B	MODIFY DRAWING & DELETE PART NO.	Fido Weng	19/11/10'	ECN10132
C	ADD P/N	Emily Suen	24/06/11'	ECN11036
D	ADD P/N	Emily Suen	20/07/11'	ECN11039



NOTE:

1. MATERIAL :
 - 1-1. HOUSING : PBT UL94V-0 ; COLOR : BLACK
 - 1-2. CONTACT : BRASS
 - 1-3. SHELL : BRASS
2. FINISH :
 - 2-1. CONTACT : SEE TABLE A
 - 2-2. SHELL : SEE TABLE A
3. ELECTRICAL SPECIFICATION :
 - 3-1. Rated current : 2A
 - 3-2. Rated voltage : 12V

TABLE A

MD-08M1-16	MD 8PIN (金15u")H	金 15u"/GOLD 15u"	鍍 30u"/NICKEL 30u"
MD-08M1-14	MD 8PIN (金30u")H	金 30u"/GOLD 30u"	鍍 30u"/NICKEL 30u"
MD-08M1-13	MD 8PIN (錫)H	錫 / TIN	鍍 30u"/NICKEL 30u"
MD-06M1-11	MD 6PIN (金30u")H	金 30u"/ GOLD 30u"	鍍 30u"/NICKEL 30u"
MD-08M1-12	MD 8PIN (表金)H	表金 / GOLD FLASH	鍍 30u"/NICKEL 30u"
MD-08M1-05	MD 8PIN (銀)H	銀 / SILVER	鍍 30u"/NICKEL 30u"
MD-06M1-13	MD 6PIN (錫)H	錫 / TIN	鍍 30u"/NICKEL 30u"
MD-06M1-03	MD 6PIN (表金)H	表金 / GOLD FLASH	鍍 30u"/NICKEL 30u"
MD-06M1-10	MD 6PIN (銀)H	銀 / SILVER	鍍 30u"/NICKEL 30u"
P/N	DESCRIPTION	針 : 電鍍	銅管 : 電鍍

DRAWN	Ku Chou	APP'D	Emily Suen	UNIT	mm	TOLERANCE		广东科斯达电子科技有限公司 GUANG DONG KE SI DA ELECTRONIC TECHNOLOGY CO., LTD.	TITLE	MD (4,6,8)PIN 12.6mm (H)系列			SHEET	1 D
CHK'D	Emily Suen			SCALE	1:1	.x ±0.20 .xx ±0.10 .xxx ±0.05 .xxxx ±0.03 ANGULA ±1°			PART NO.	SEE TABLE A	DWG NO.	QC0005	VERSION	