

CUSTOMER DRAWING

REV.	DESCRIPTION	APPROVED BY	DATE	ECN NO.
B	MODIFY DRAWING	Fido Weng	22/06/10'	ECN10059
C	ADD NEW PART NO. IN TABLE A	Fido Weng	06/09/10'	
D	MODIFY DIM.	Fido Weng	20/01/11'	ECN11010

步驟一:

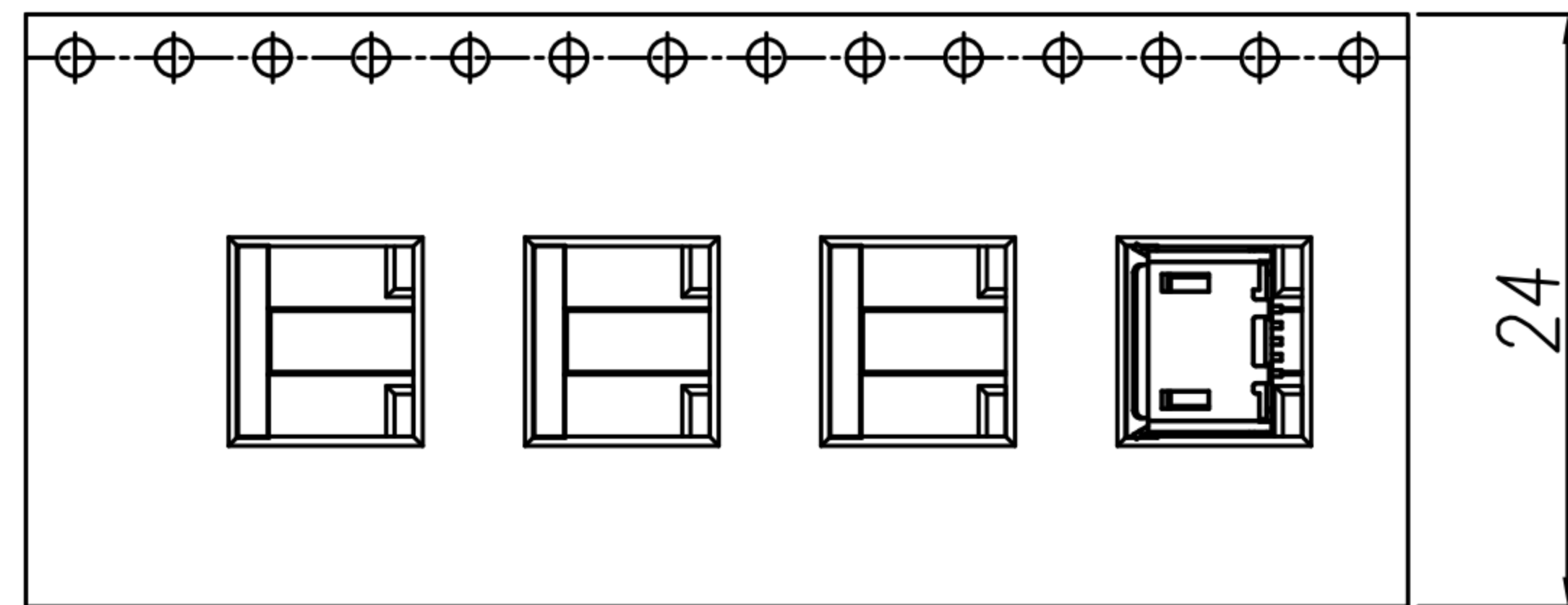
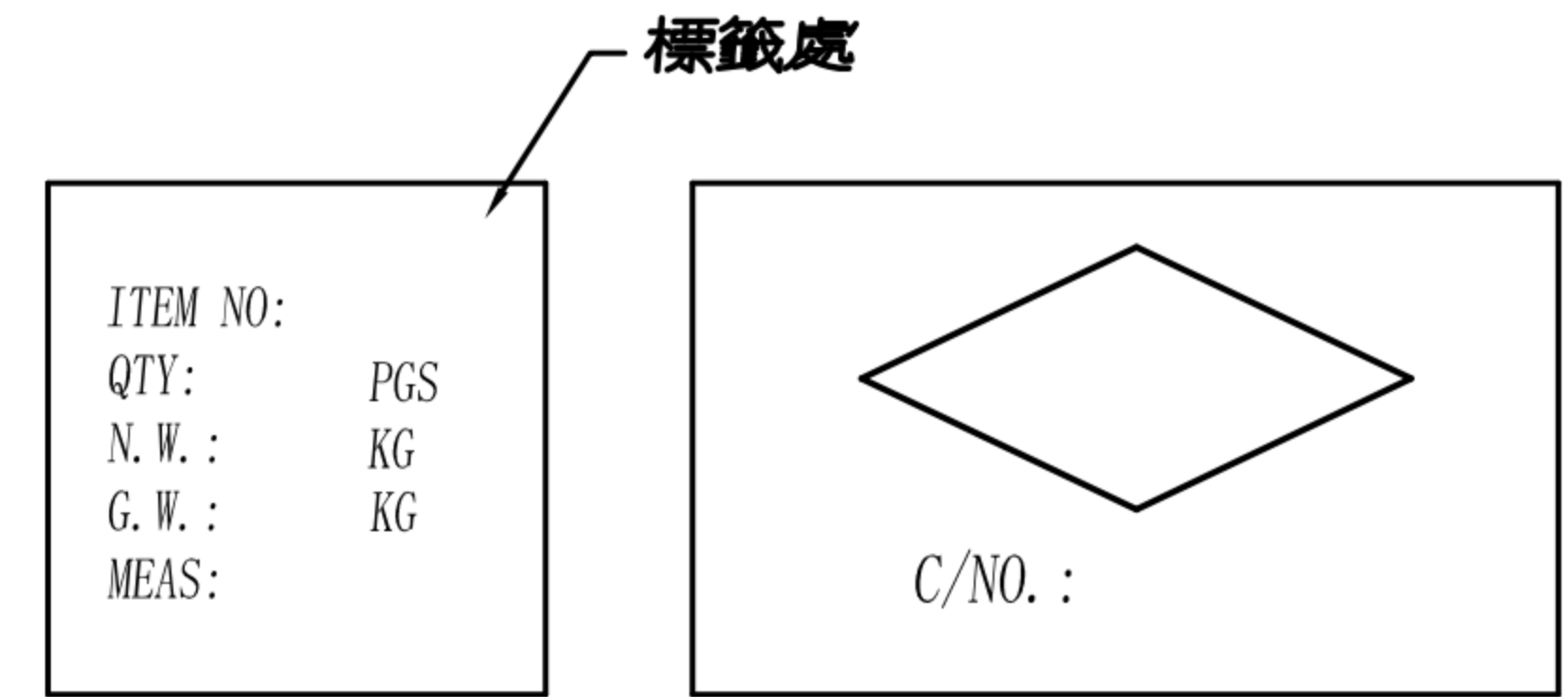
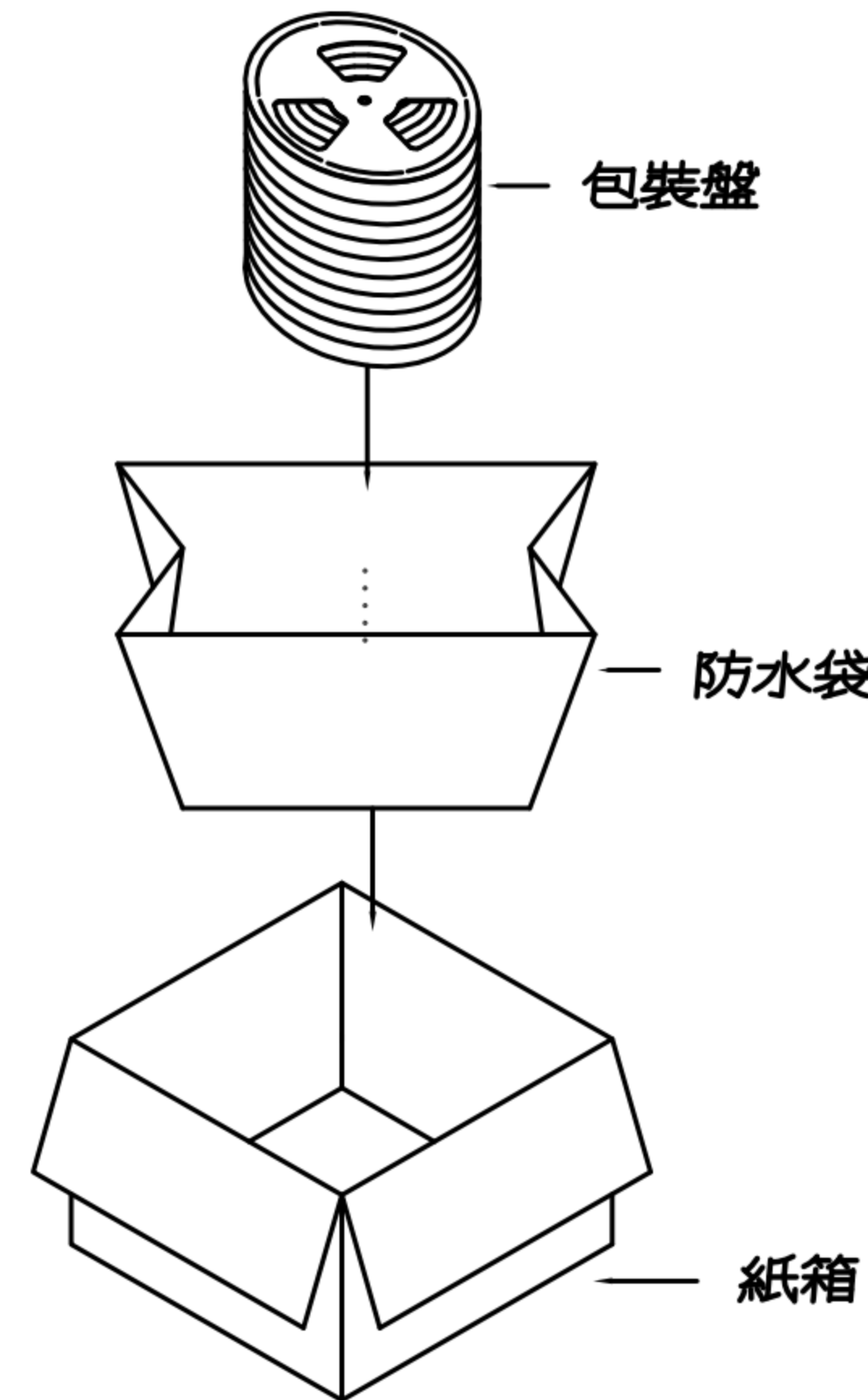
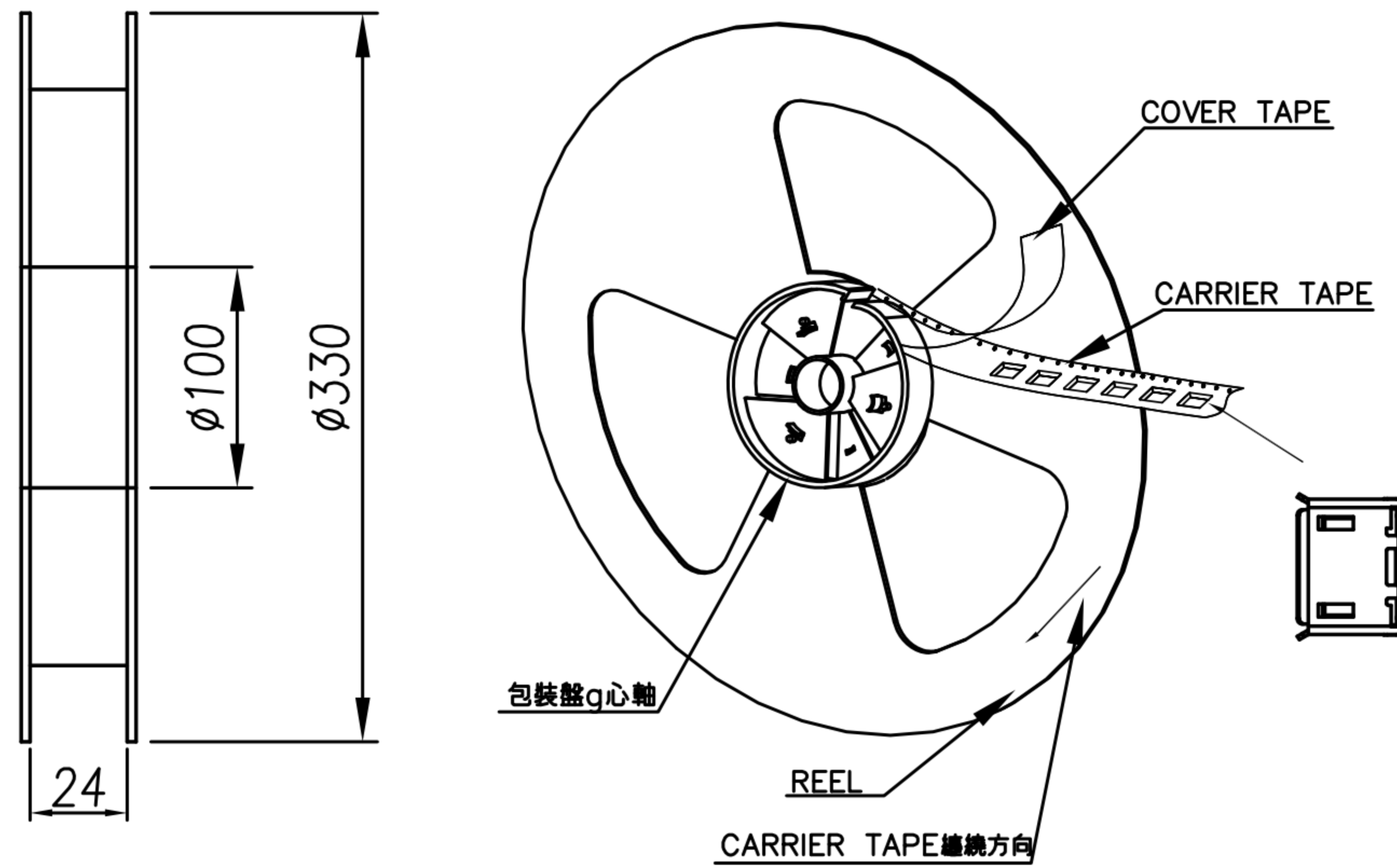
- 將成品一一放入包裝盤內,依同一方向置入.
- 包裝方式,如圖所示.
- 一個包裝盤1300pcs.

步驟二:

- 一個紙箱可以裝10個包裝盤.
- 每盤1300pcs,每箱13000pcs.
- 將包裝盤放入防水袋中,包裝完後再封箱.

步驟三:

- 用膠帶將紙箱封實.
- 將標籤貼於紙箱上.



NOTE:

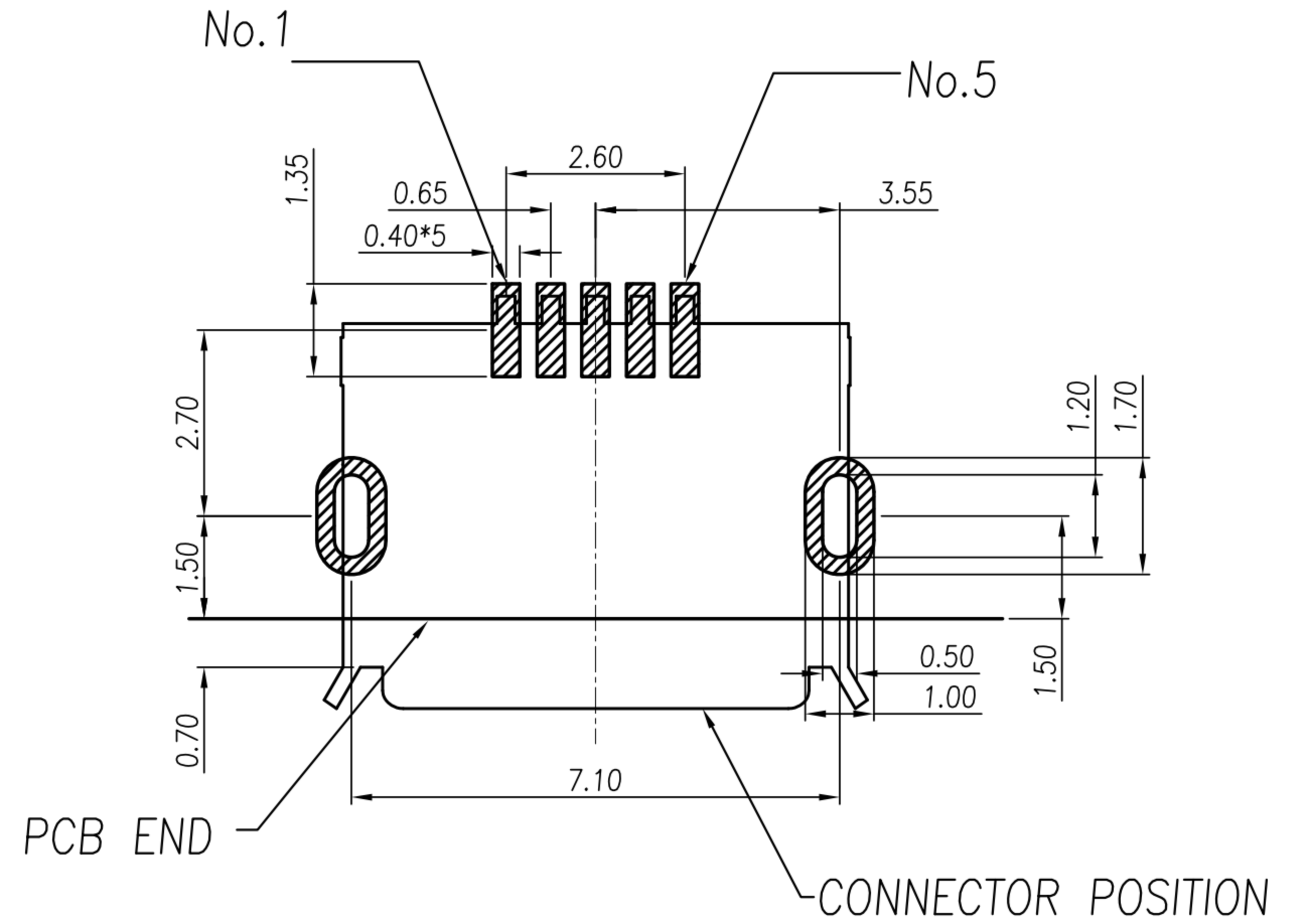
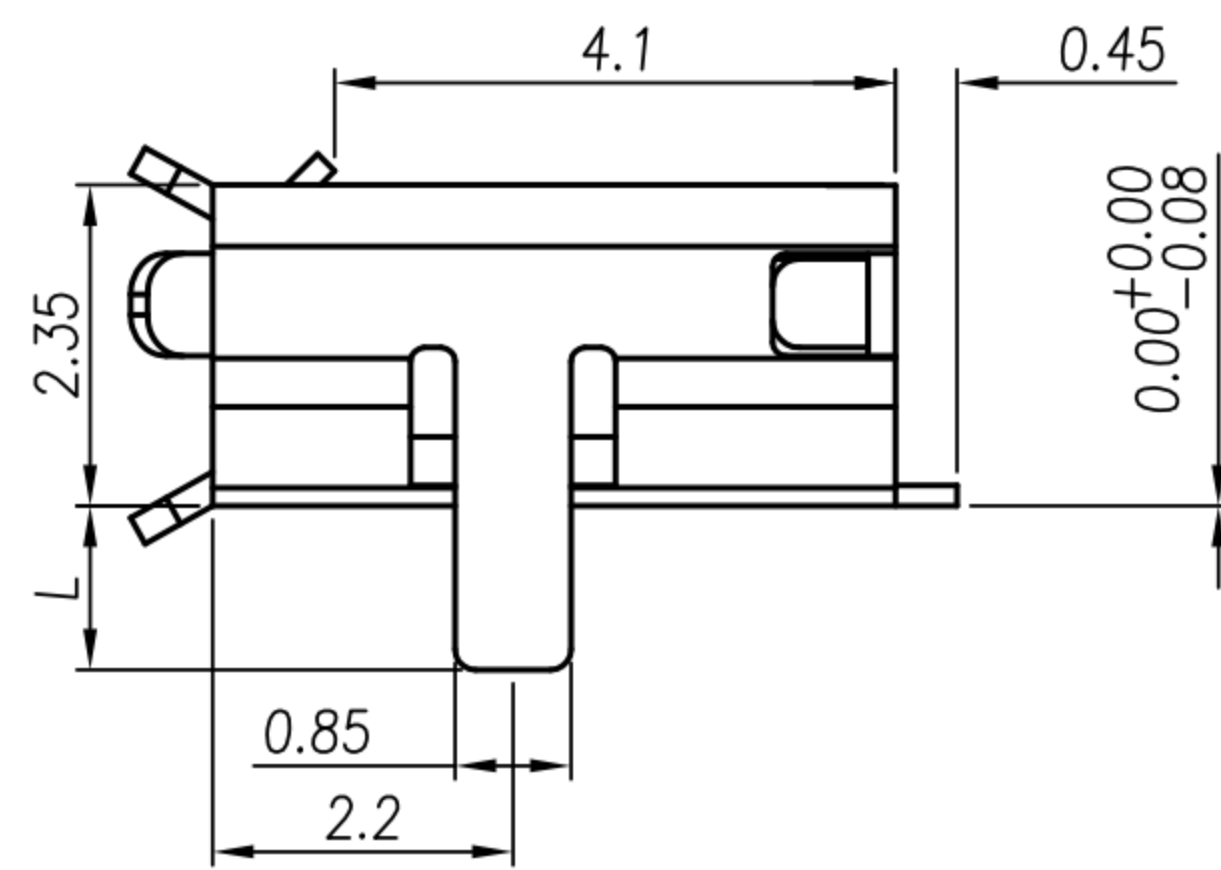
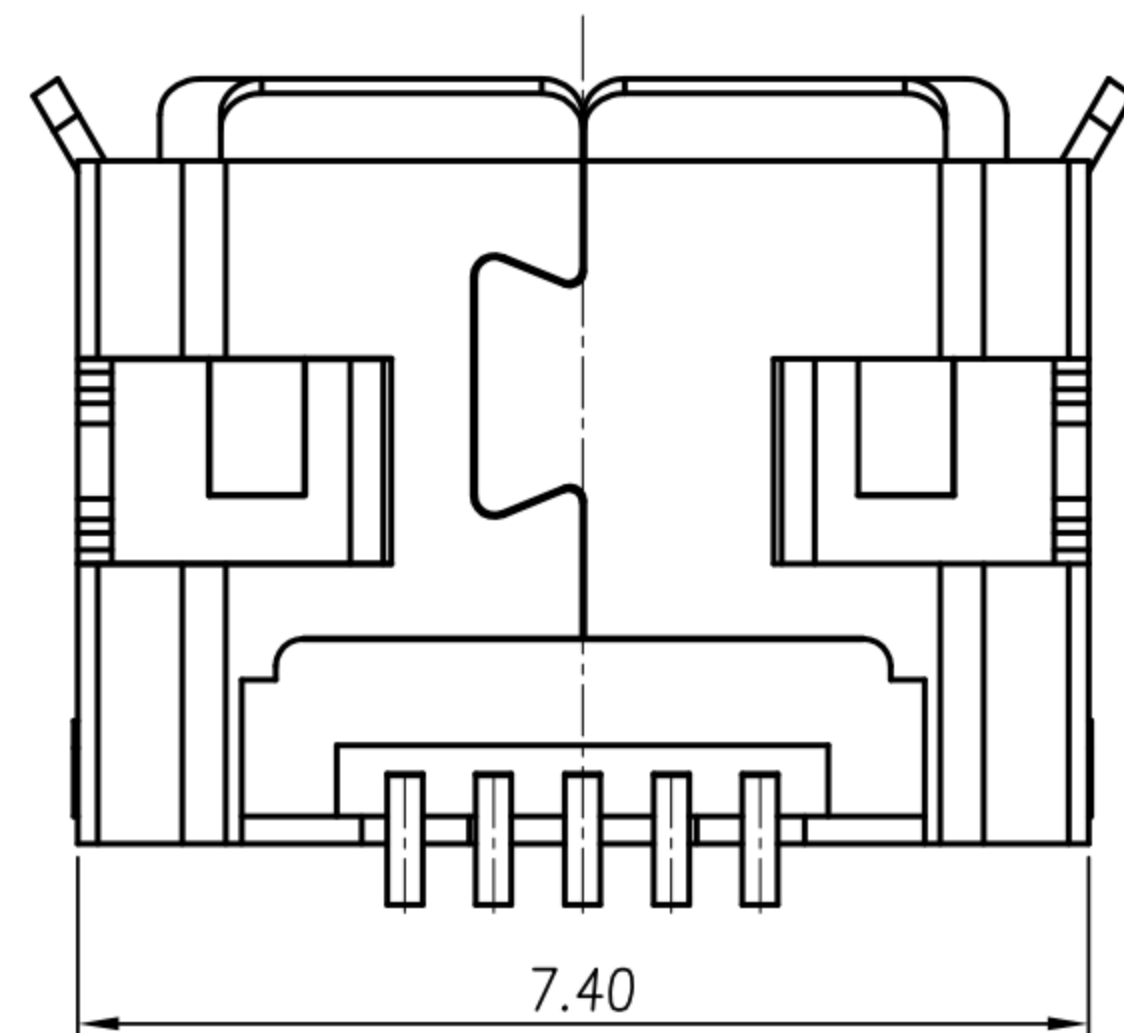
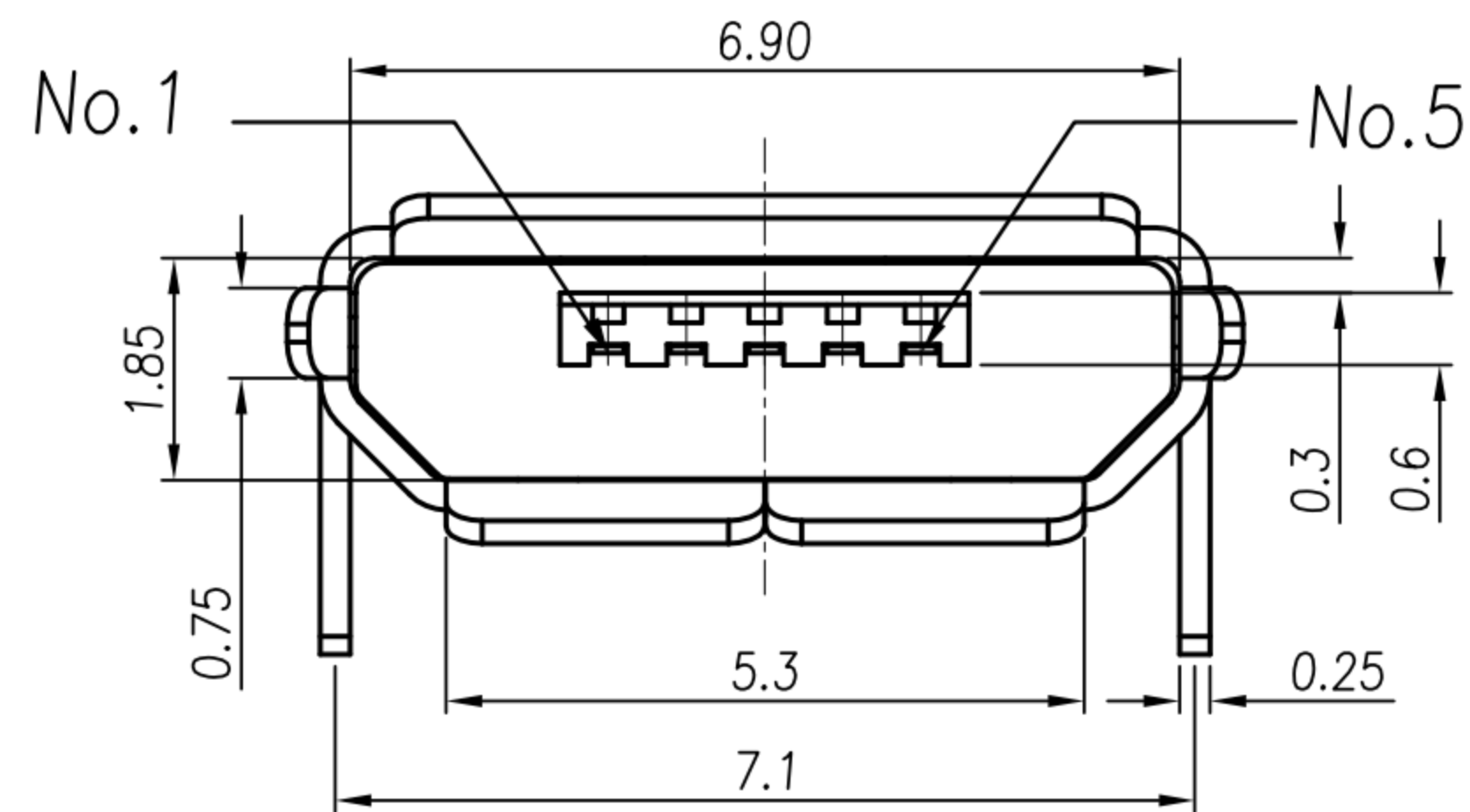
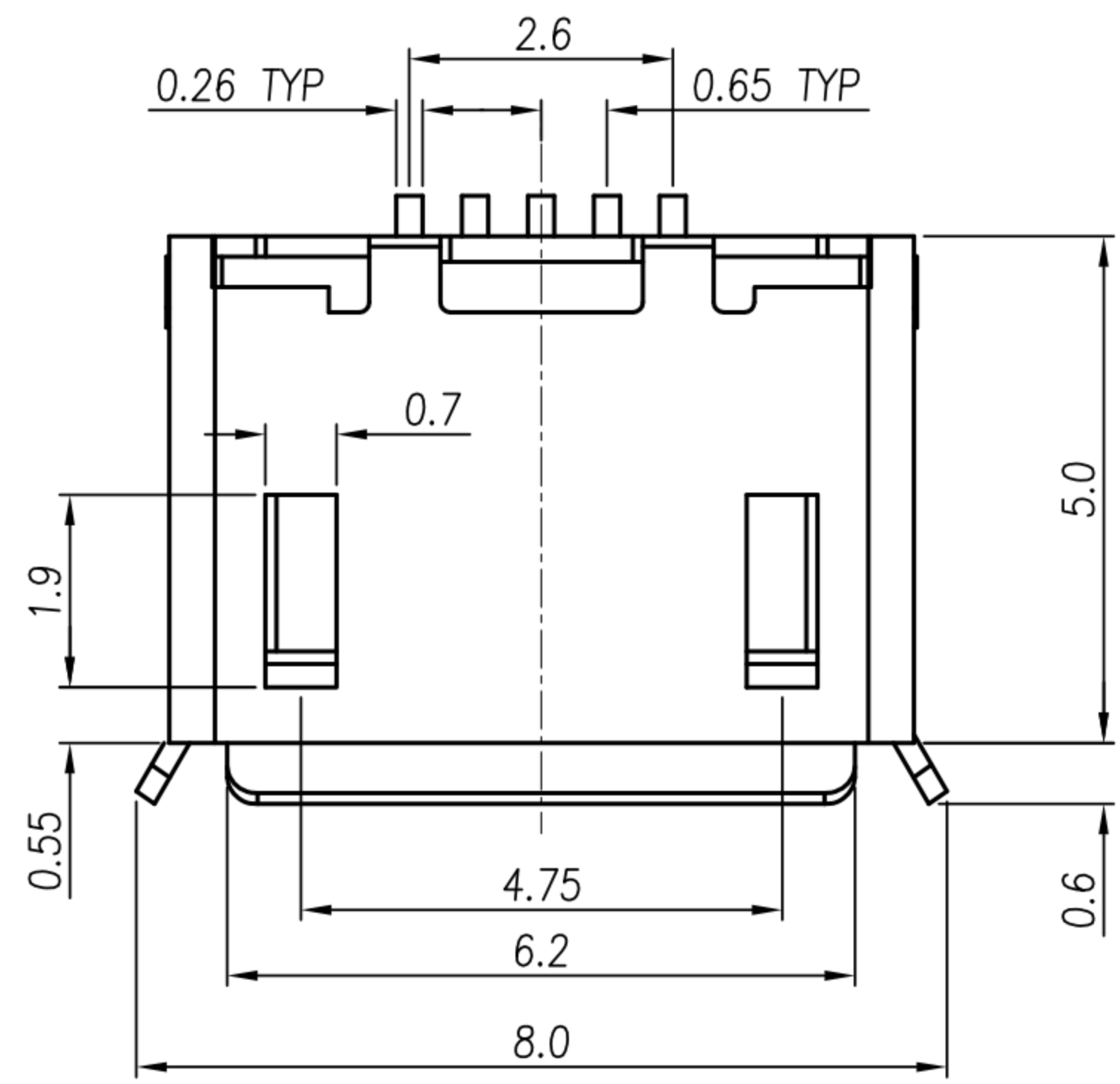
- 若有未裝滿之零數箱,必須以緩衝材塞滿.
- 在搬運過程中要輕拿輕放.
- 載運輸中不可堆放過多,不可有重壓現象.
- 在裝滿產品後,必須空留帶前和帶後42格,然後用紙膠布貼上.
- 上帶在貼下帶時必須平整,且黏貼處不要出現氣泡.

DRAWN	Jen Xie	APP'D	Emily Suen	UNIT	mm	TOLERANCE			TITLE	MICRO USB 5PIN(F)B TYPE DIP 無定位柱			SHEET	2
CHK'D	Emily Suen			SCALE	1:1				PART NO.	SEE TABLE A	DWG NO.	QC4397	VERSION	D

广东科斯达电子科技有限公司
GUANG DONG KE SI DA ELECTRONIC TECHNOLOGY CO., LTD.

CUSTOMER DRAWING

REV.	DESCRIPTION	APPROVED BY	DATE	ECN NO.
B	MODIFY DRAWING	Fido Weng	22/06/10*	ECN10059
C	ADD NEW PART NO. IN TABLE A	Fido Weng	06/09/10*	
D	MODIFY DIM.	Fido Weng	20/01/11*	ECN11010



RECOMMEND P.C.B LAYOUT

1. MATERIAL :
 - 1-1. HOUSING : LCP UL94V-0 ; COLOR : BLACK
 - 1-2. CONTACT : PHOSPHOR BRONZE
 - 1-3. SHELL : STAINLESS STEEL
2. FINISH :
 - 2-1. CONTACT : CONTACT AREA : GOLD 10u"
 - OTHER AREA : GOLD FLASH
 - SOLDER AREA : GOLD FLASH
 - UNDER PLATE : NICKEL
 - 2-2. SHELL : MATTE TIN

TABLE A

MU-05F4-56	0.70
MU-05F4-54	1.20
PART NO.	L (mm)

DRAWN	Jen Xie	APP'D	Emily Suen	UNIT	mm	TOLERANCE		广东科斯达电子科技有限公司 GUANG DONG KE SI DA ELECTRONIC TECHNOLOGY CO., LTD.	TITLE	MICRO USB 5PIN(F)B TYPE DIP 無定位柱			SHEET	1/2
CHK'D	Emily Suen			SCALE	1:1	.x ±0.20 .xx ±0.10 .xxx ±0.05 .xxxx ±0.03 ANGULA ±1°			PART NO.	SEE TABLE A	DWG NO.	QC4397	VERSION	