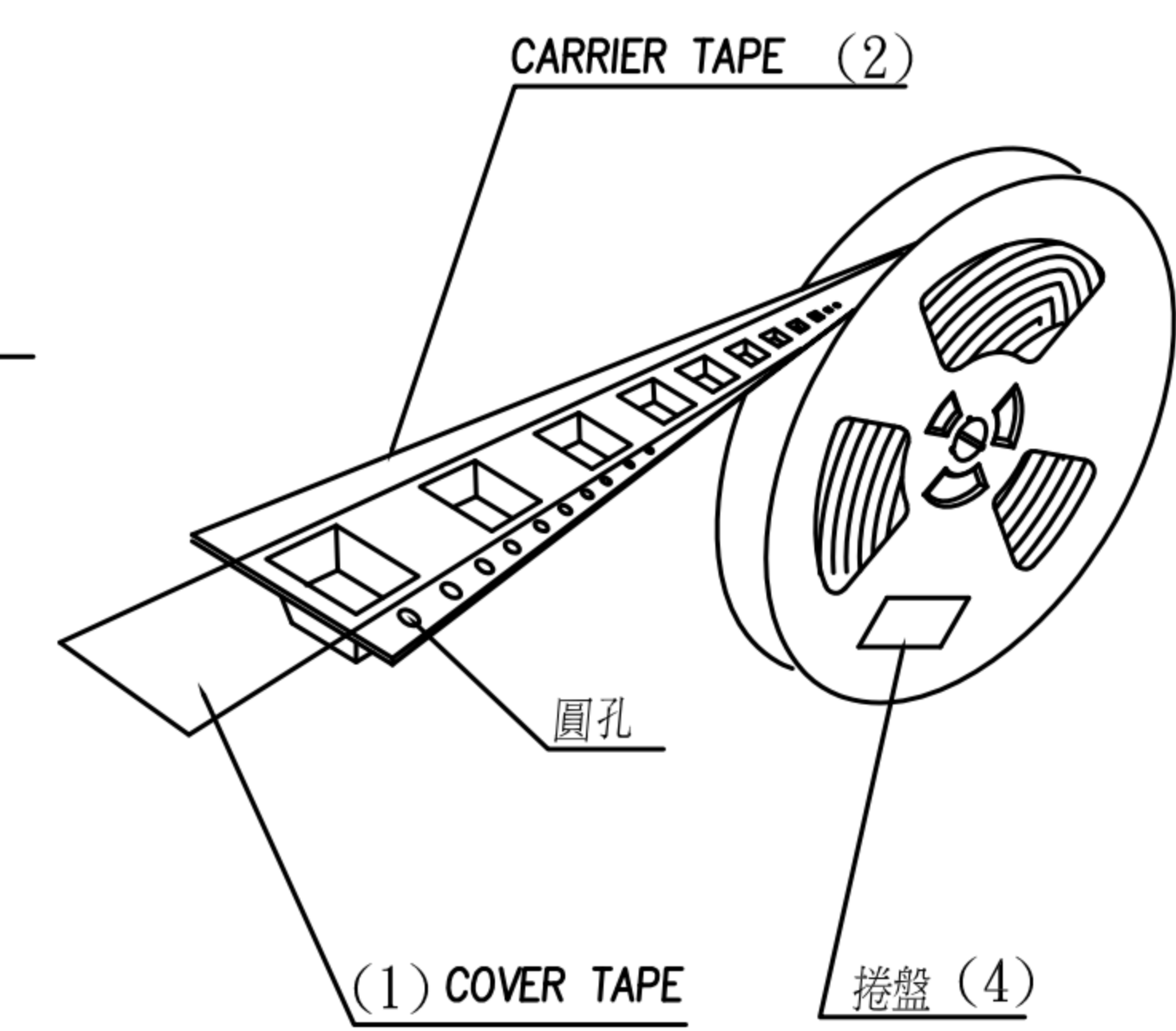
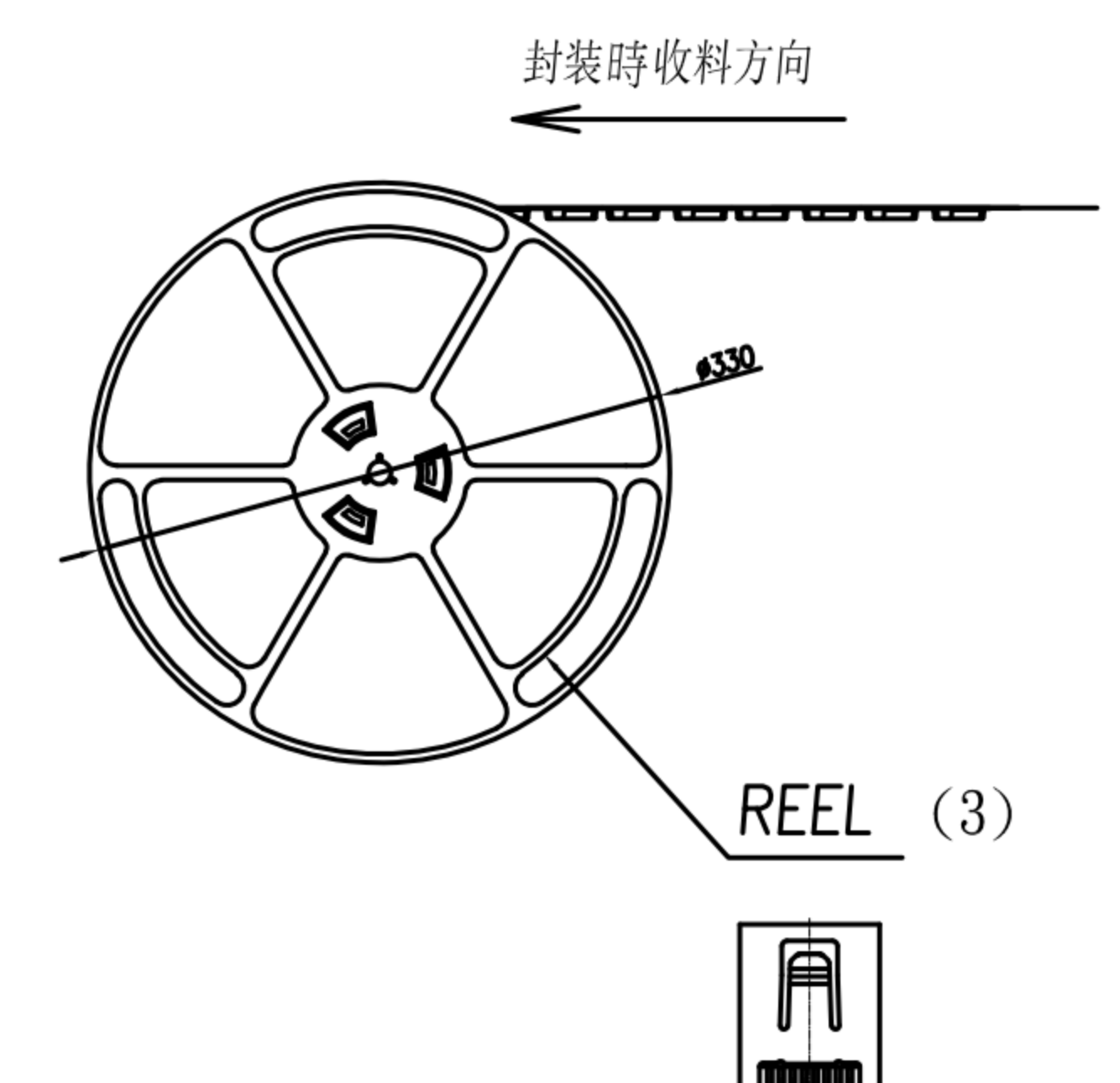
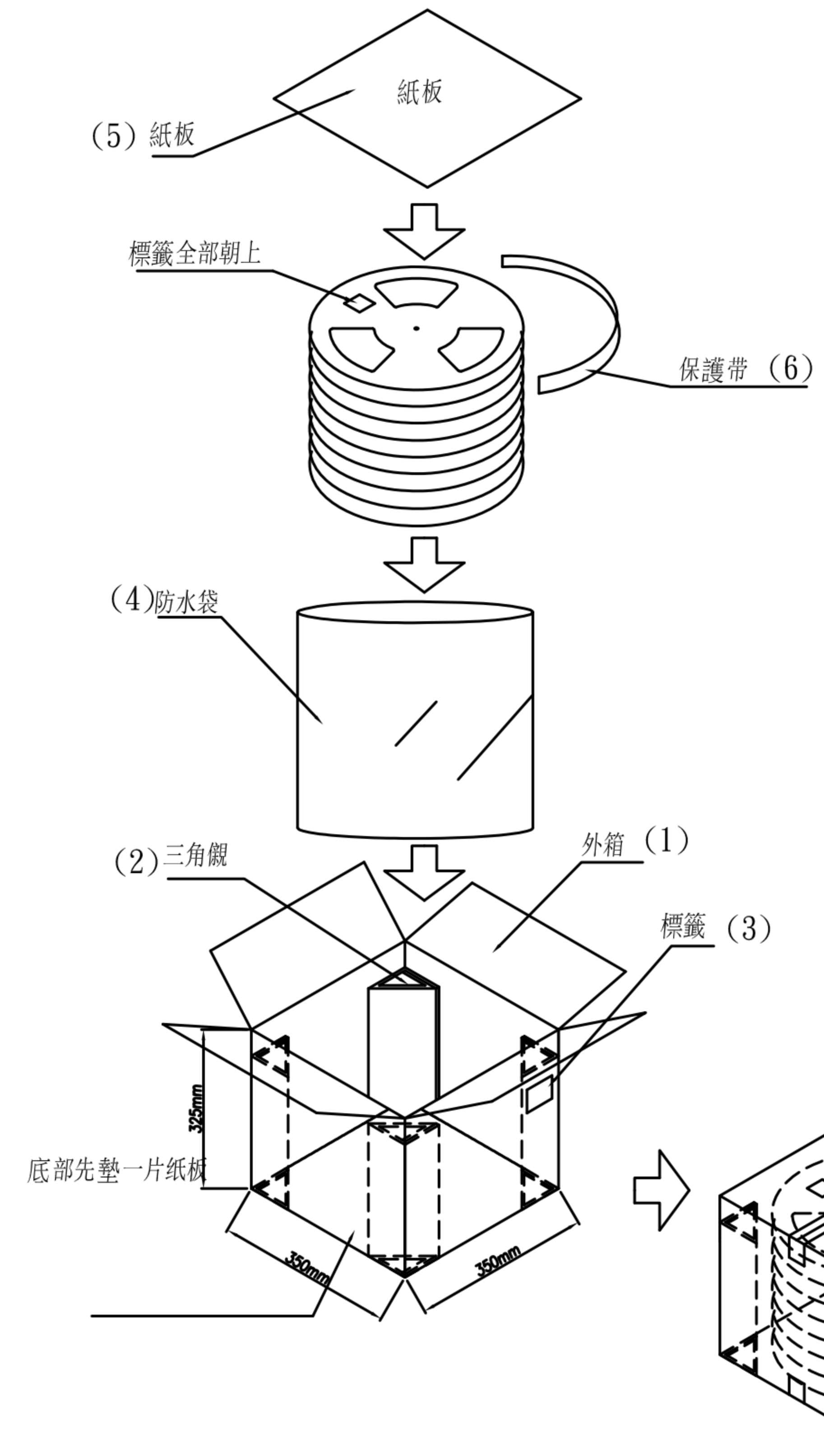
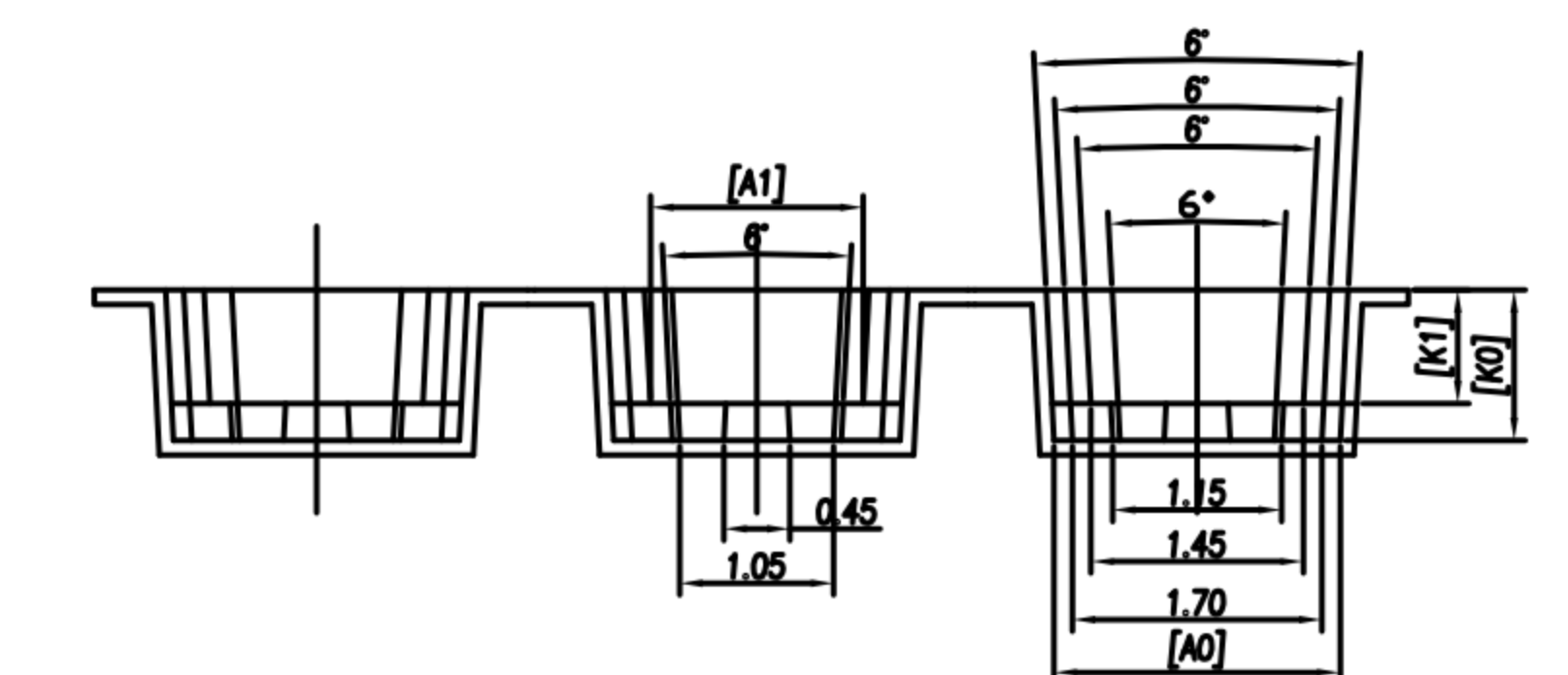
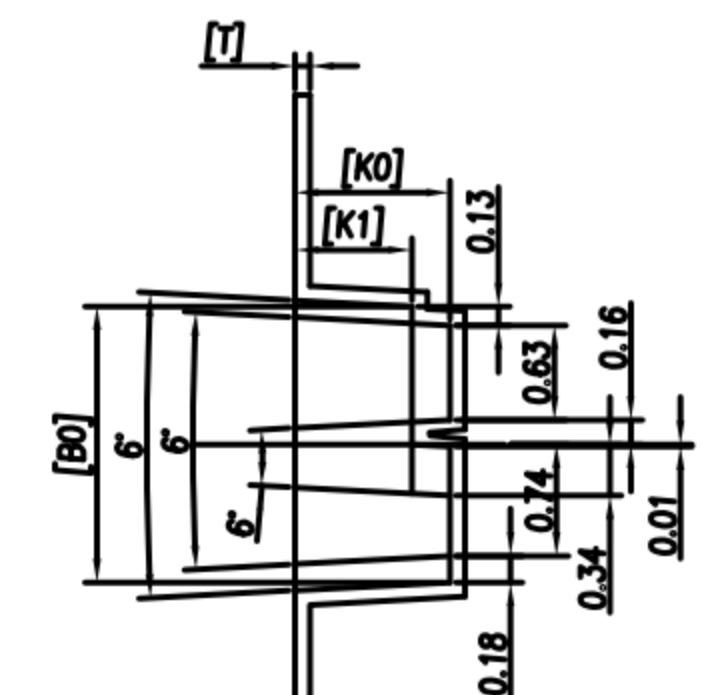
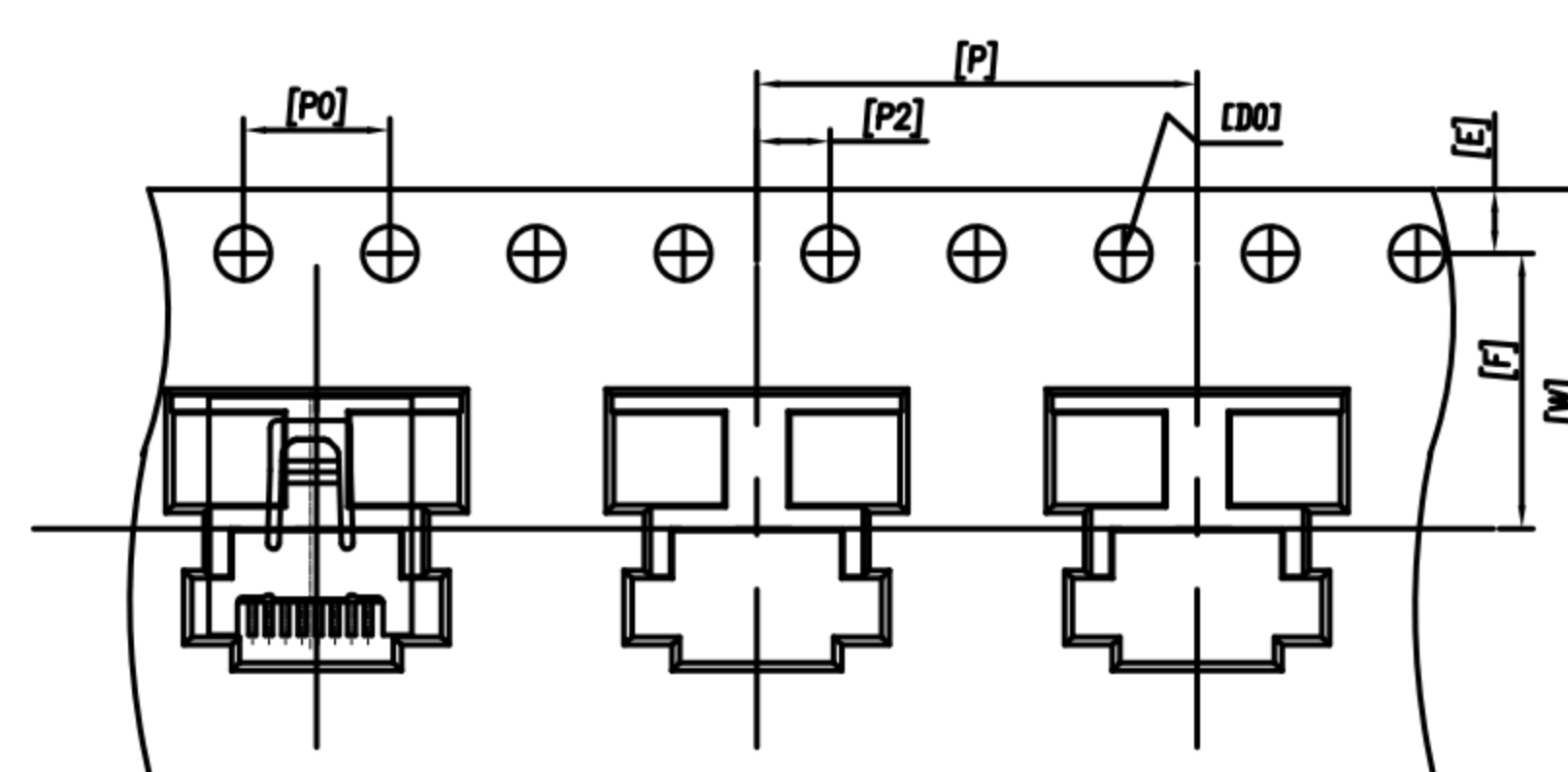


CUSTOMER DRAWING

REV.	DESCRIPTION	APPROVED BY	DATE	ECN NO.
A	RELEASE	Fido Weng	12/11/09'	
B	ADD CUT-OFF CURRENT	Fido Weng	04'/08/09	
C	Change Item Name	Fido Weng	09/16/04'	



- 封裝規格:
1. 外箱底部先墊一片紙板.
  2. 外箱四周內角各放置一個三角觀.
  3. 把14捲封裝好的產品平放進防水袋, 再一起平放進外箱.
  4. 上層放一片紙板.
  5. 一個紙箱可以裝14捲.
  6. 每捲1200pcs, 每箱16800pcs.

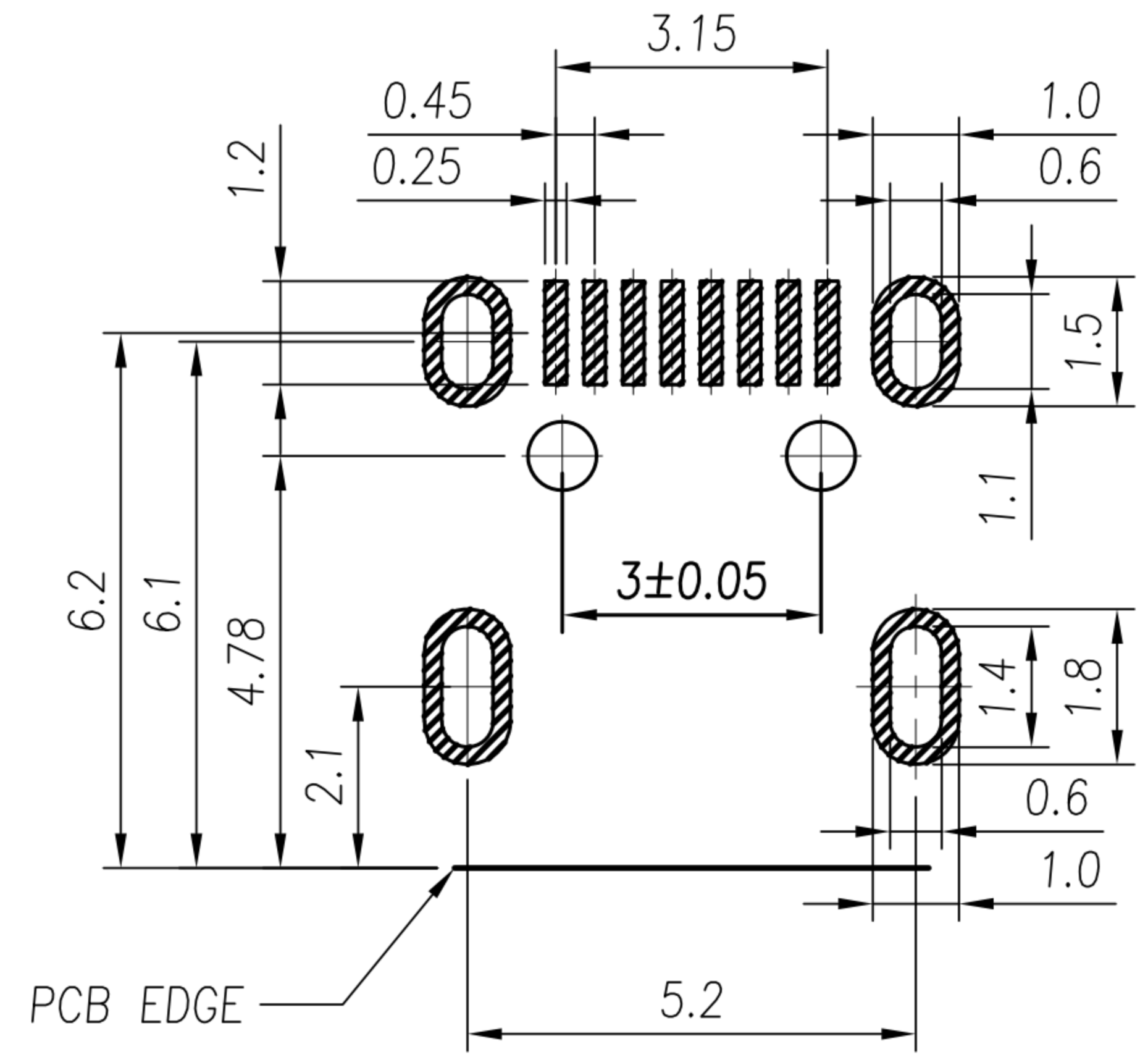
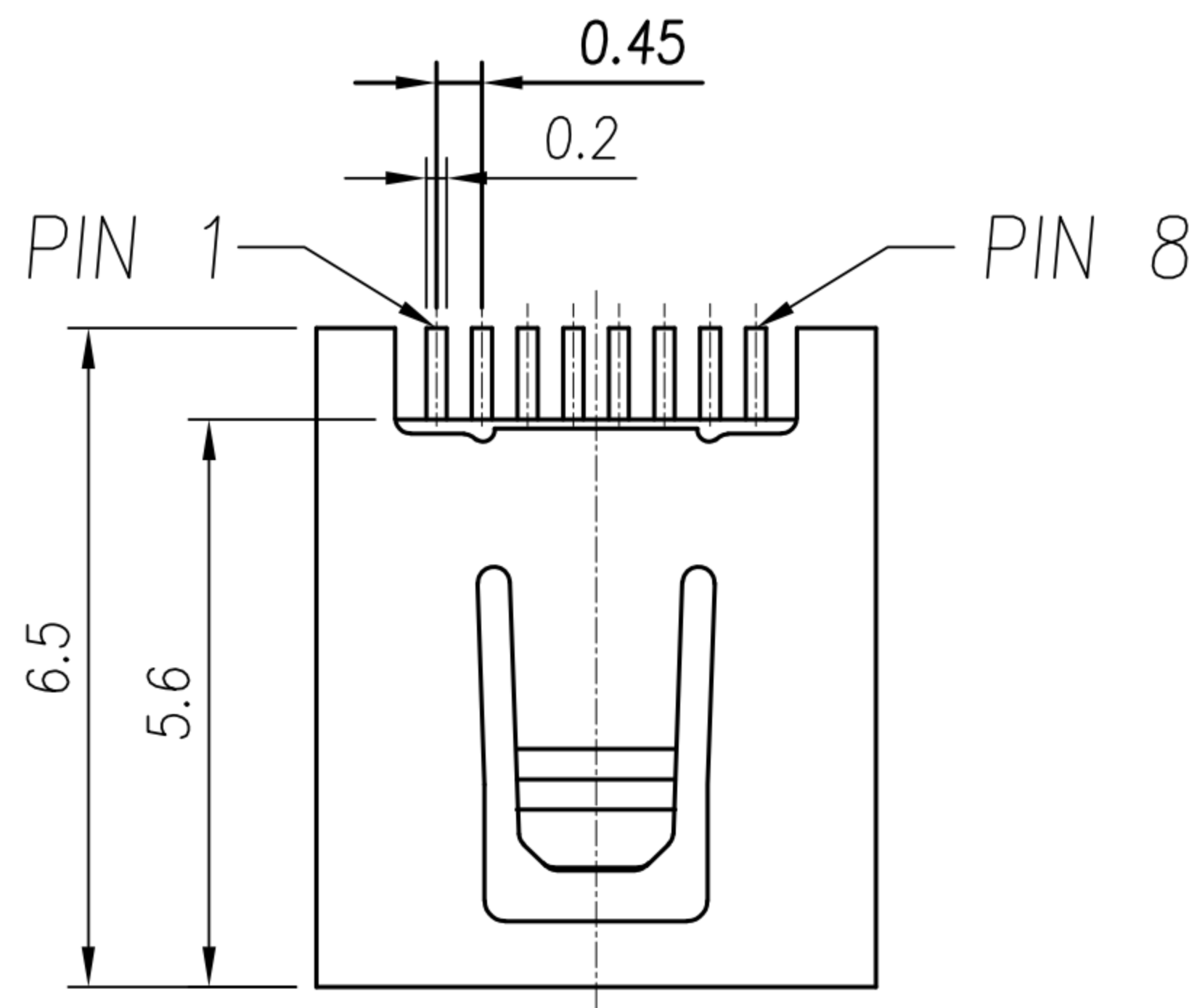


W	16.00 <sup>+0.30</sup> <sub>-0.30</sub>	T	0.40±0.05	Po	4.00±0.10	Ao	7.80±0.10	A1	5.80±0.10
F	7.50±0.10	Do	Ø1.50 <sup>+0.10</sup> <sub>0</sub>	P2	2.00±0.10	Bo	7.30±0.10	B1	
E	1.75±0.10	P	12.00±0.10	D1		Ko	4.10±0.10	K1	3.40±0.10

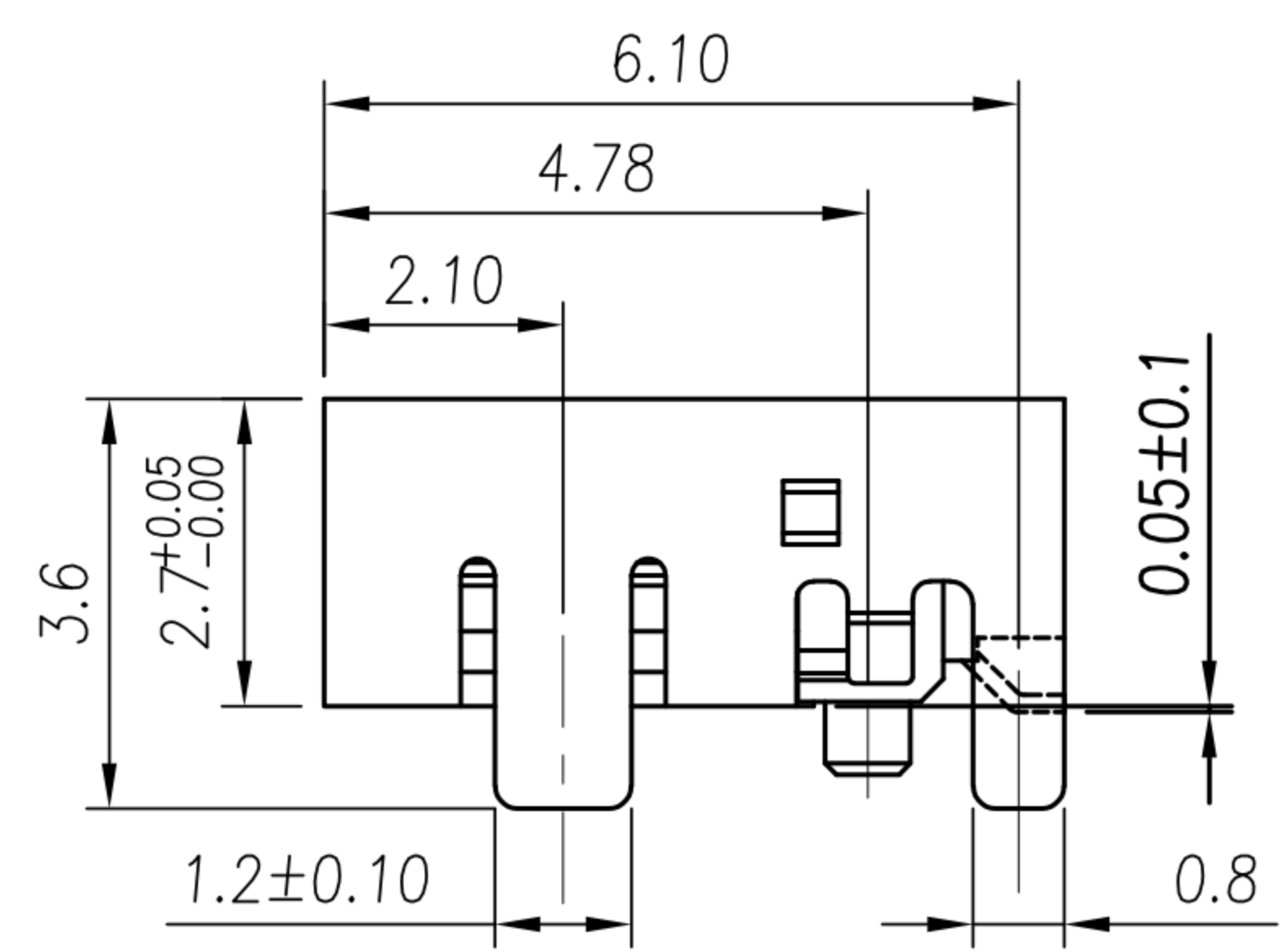
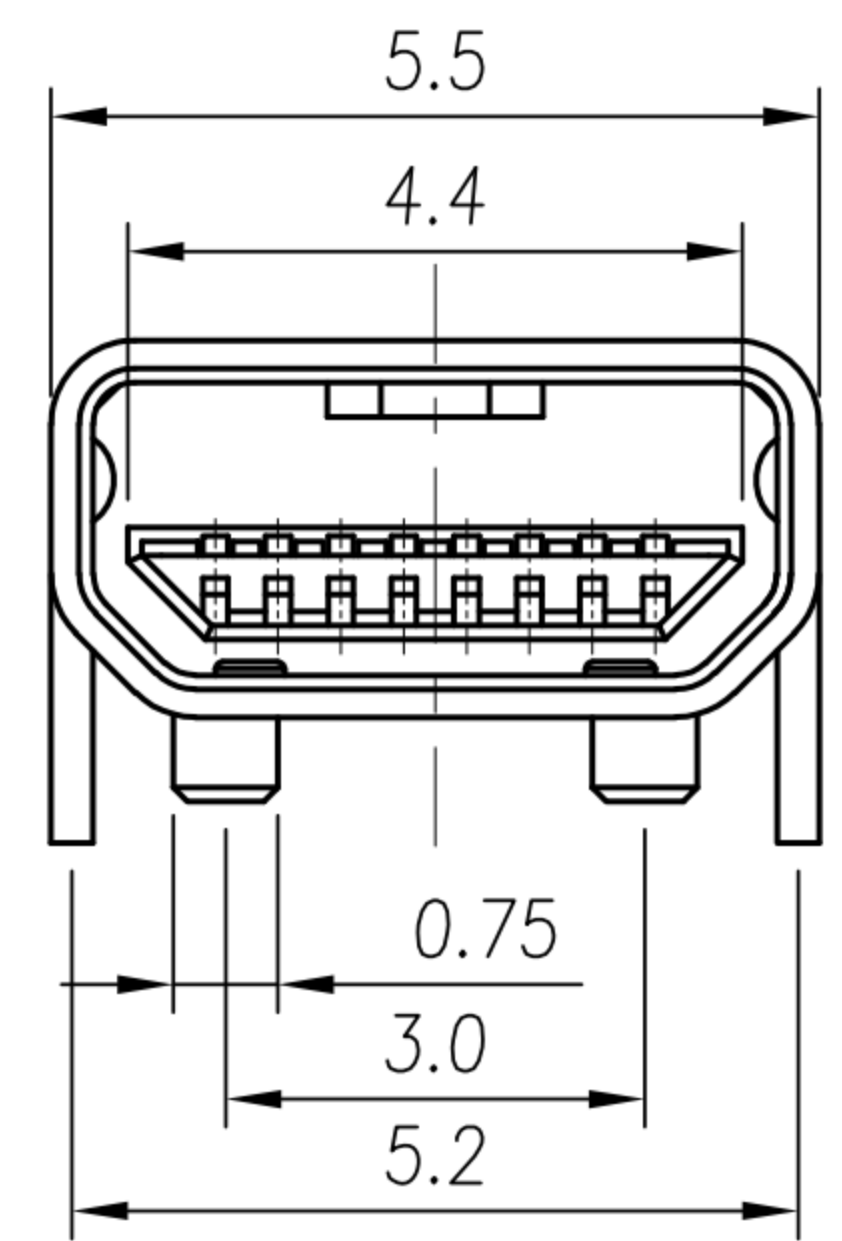
DRAWN	Mark Kao	APP'D	Ku Chou	UNIT	mm	TOLERANCE				TITLE	MINI USB 8PIN (F) 單排雙口 DIP長0.9mm			SHEET	2
CHK'D	Emily Suen			SCALE	1:1					PART NO.	MU-08F4-20	DWG NO.	QC2206	VERSION	A

CUSTOMER DRAWING

REV.	DESCRIPTION	APPROVED BY	DATE	ECN NO.
△A	RELEASE	Fido Weng	12/11/09'	
△B	ADD CUT-OFF CURRENT	Fido Weng	04'/08/09	
△C	Change Item Name	Fido Weng	09/16/04'	



PCB LAYOUT



1. MATERIAL :
  - 1-1. HOUSING : LCP ; COLOR : BLACK
  - 1-2. CONTACT : PHOSPHOR BRONZE
  - 1-3. SHELL : PHOSPHOR BRONZE
2. FINISH :
  - 2-1. CONTACT : GOLD 10u"  
UNDER PLATE : NICKEL
  - 2-2. SHELL : GOLD FLASH OVER ALL  
UNDER PLATE : NICKEL

DRAWN	Mark Kao	APP'D	Ku Chou	UNIT	mm	TOLERANCE		广东科斯达电子科技有限公司 GUANG DONG KE SI DA ELECTRONIC TECHNOLOGY CO., LTD.	TITLE	MINI USB 8PIN (F) 單排雙口 DIP長0.9mm			SHEET	1/2
CHK'D	Emily Suen			SCALE	1:1	.x ±0.20 .xx ±0.10 .xxx ±0.05 .xxxx ±0.03 ANGULA ±1°			PART NO.	MU-08F4-20	DWG NO.	QC2206	VERSION	