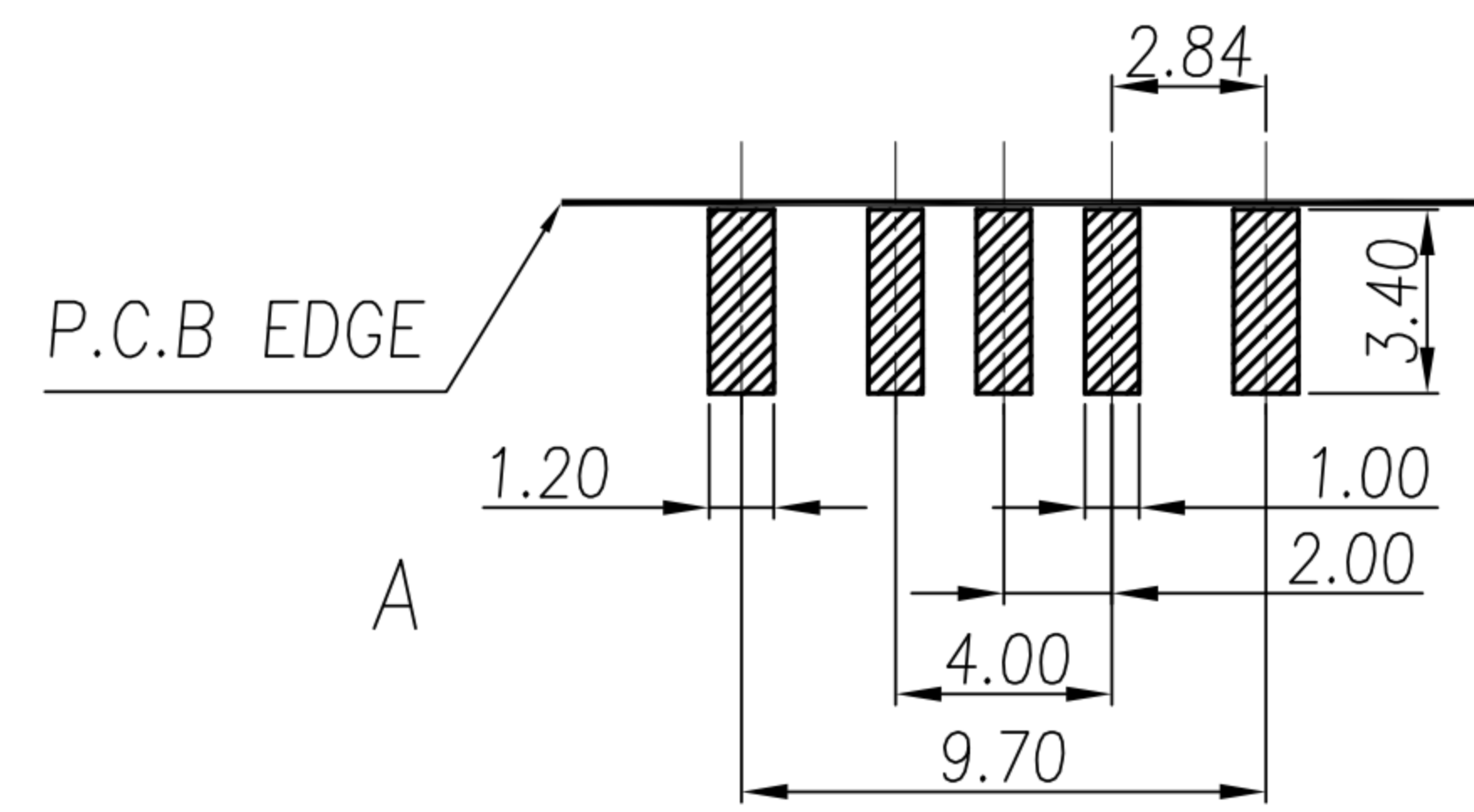
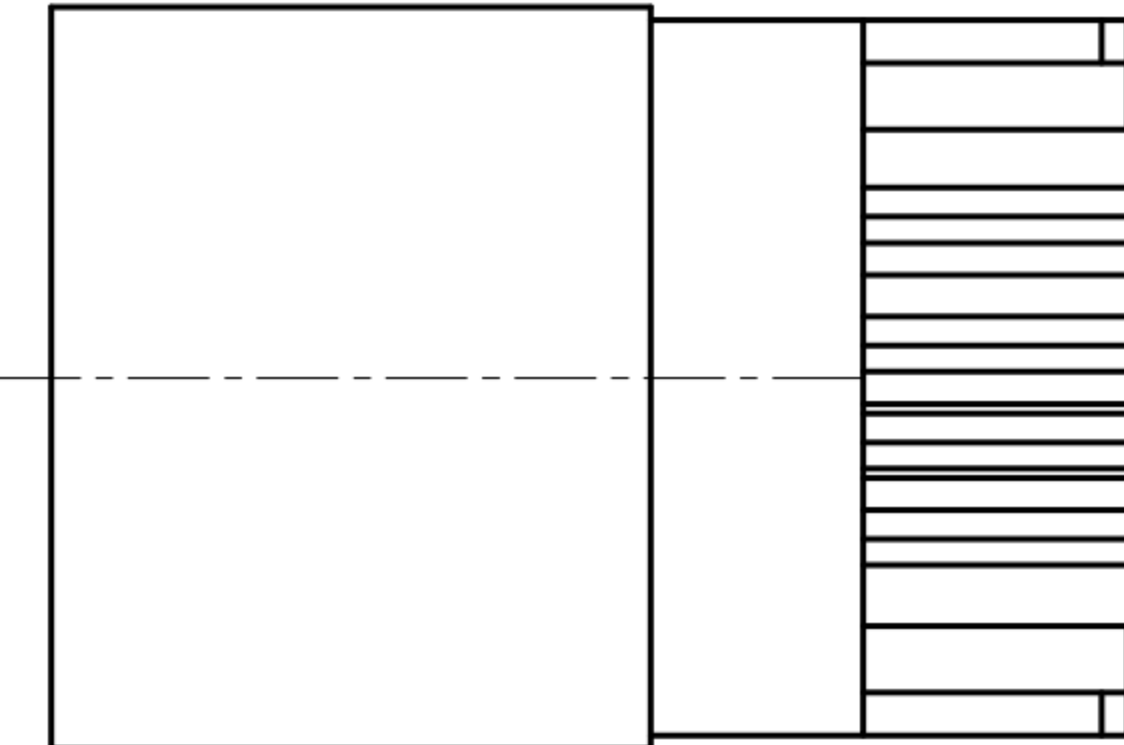
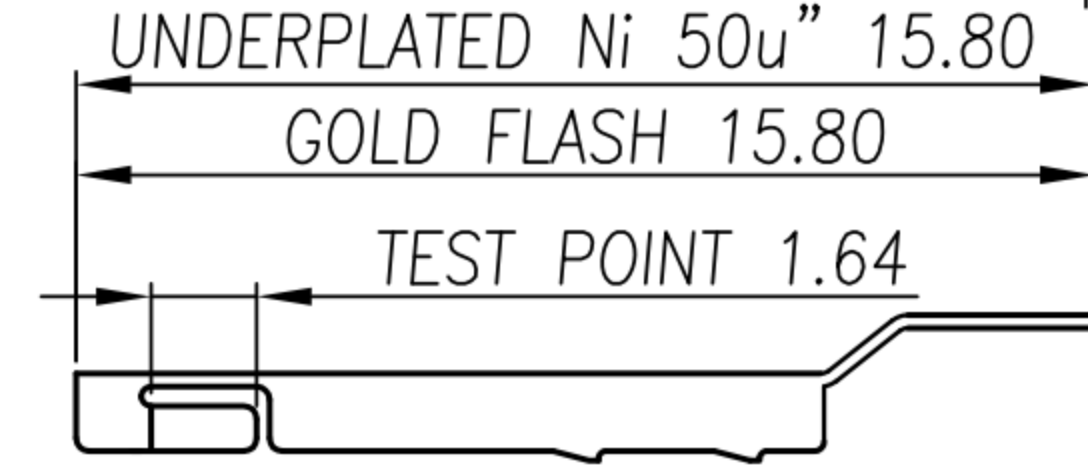
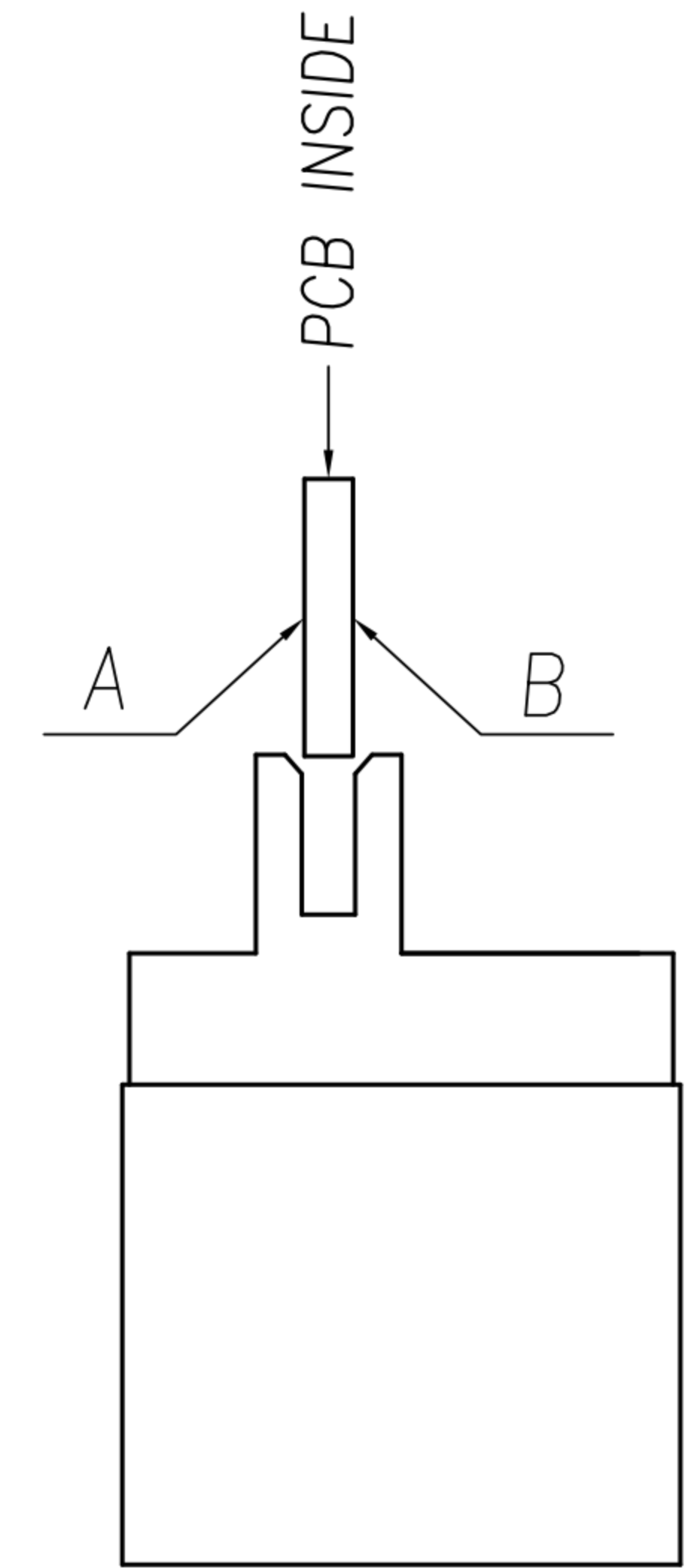
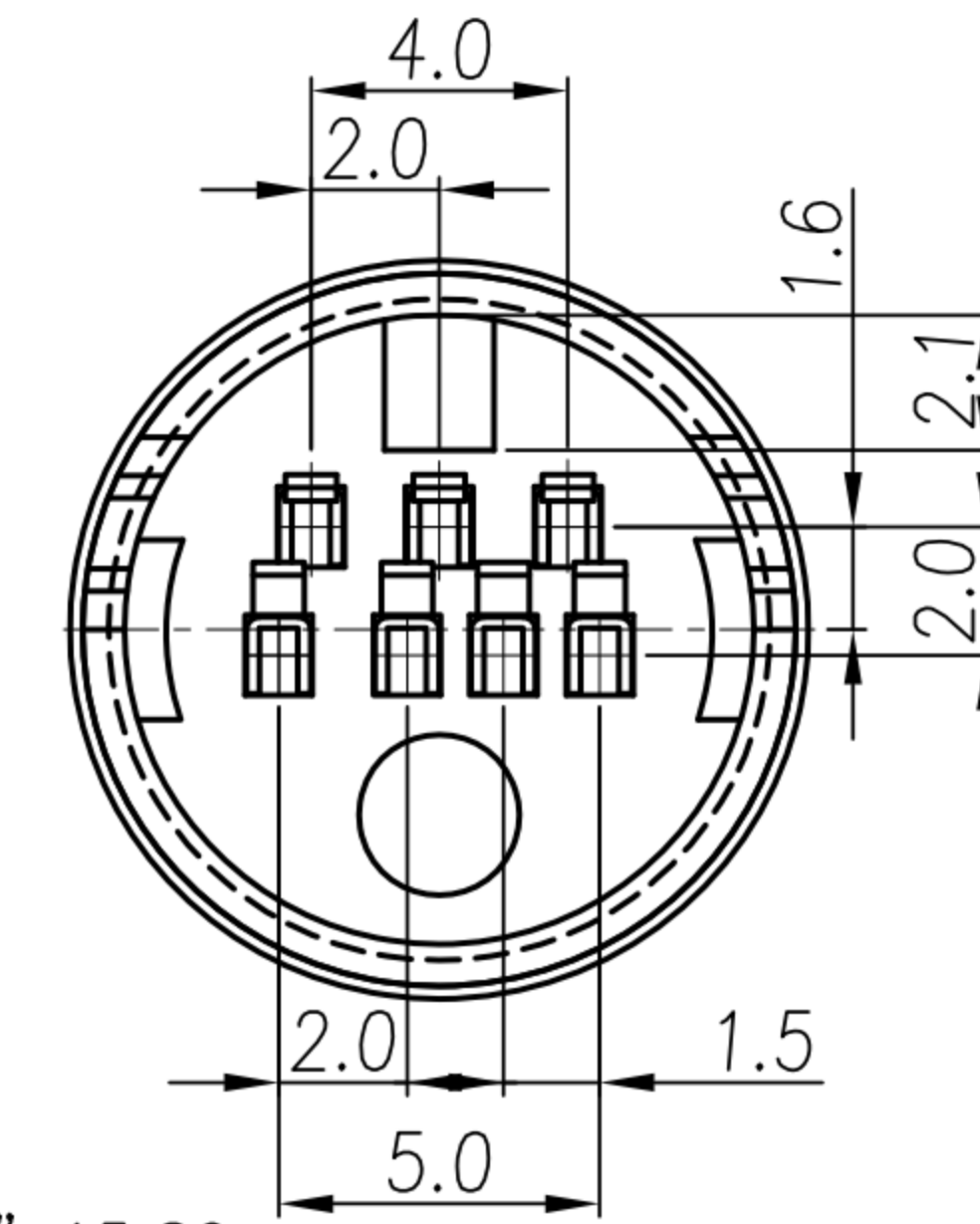
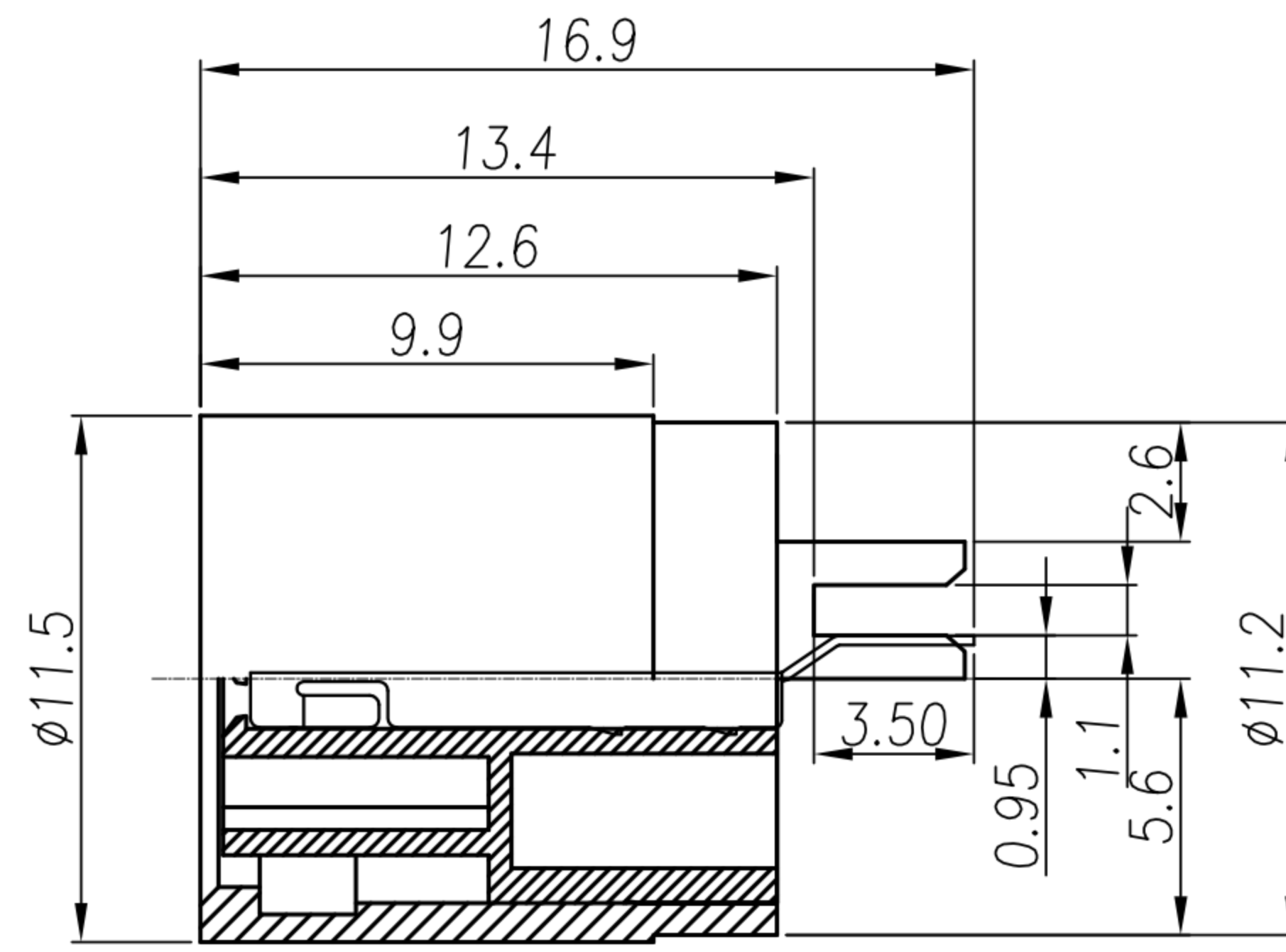
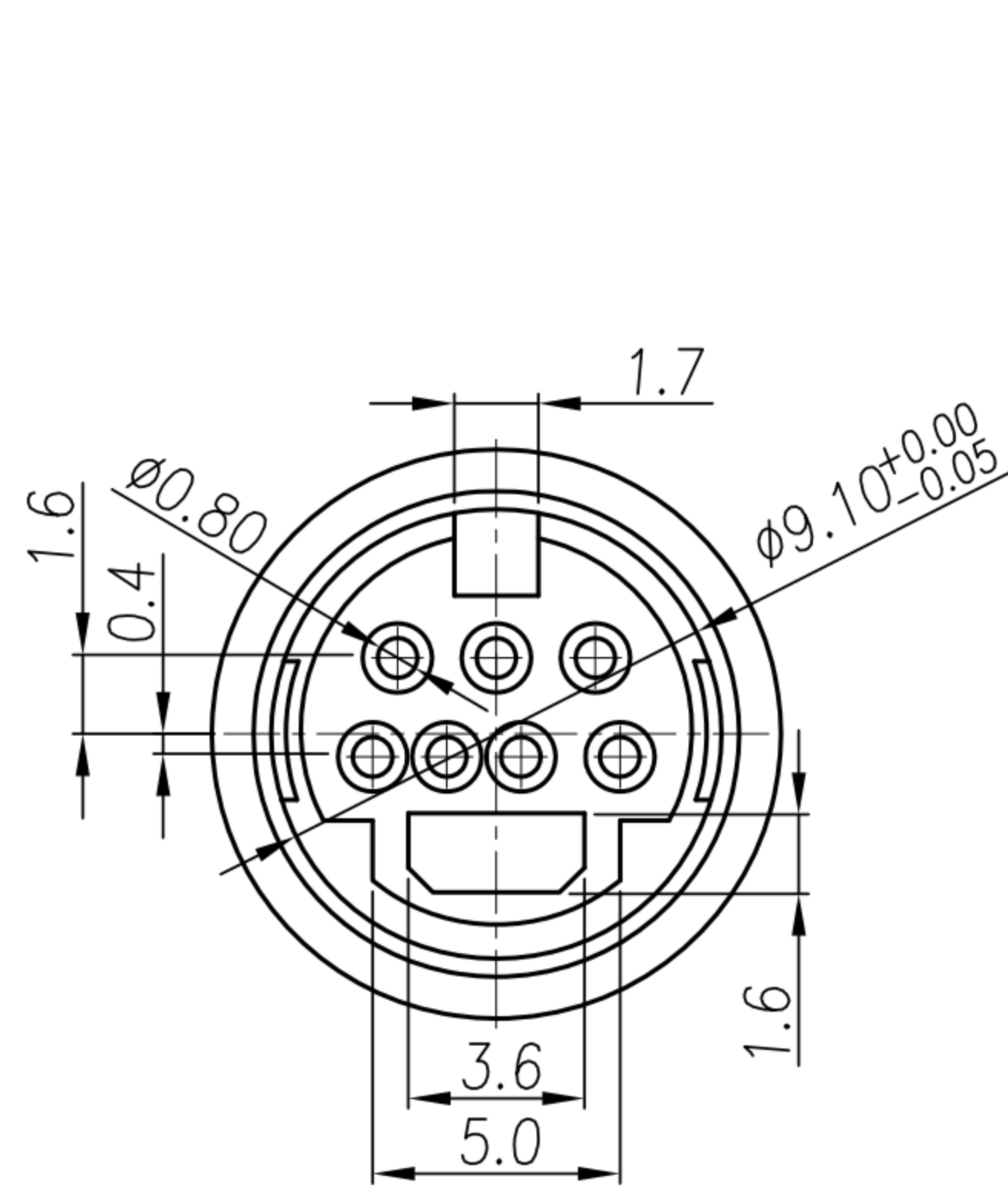
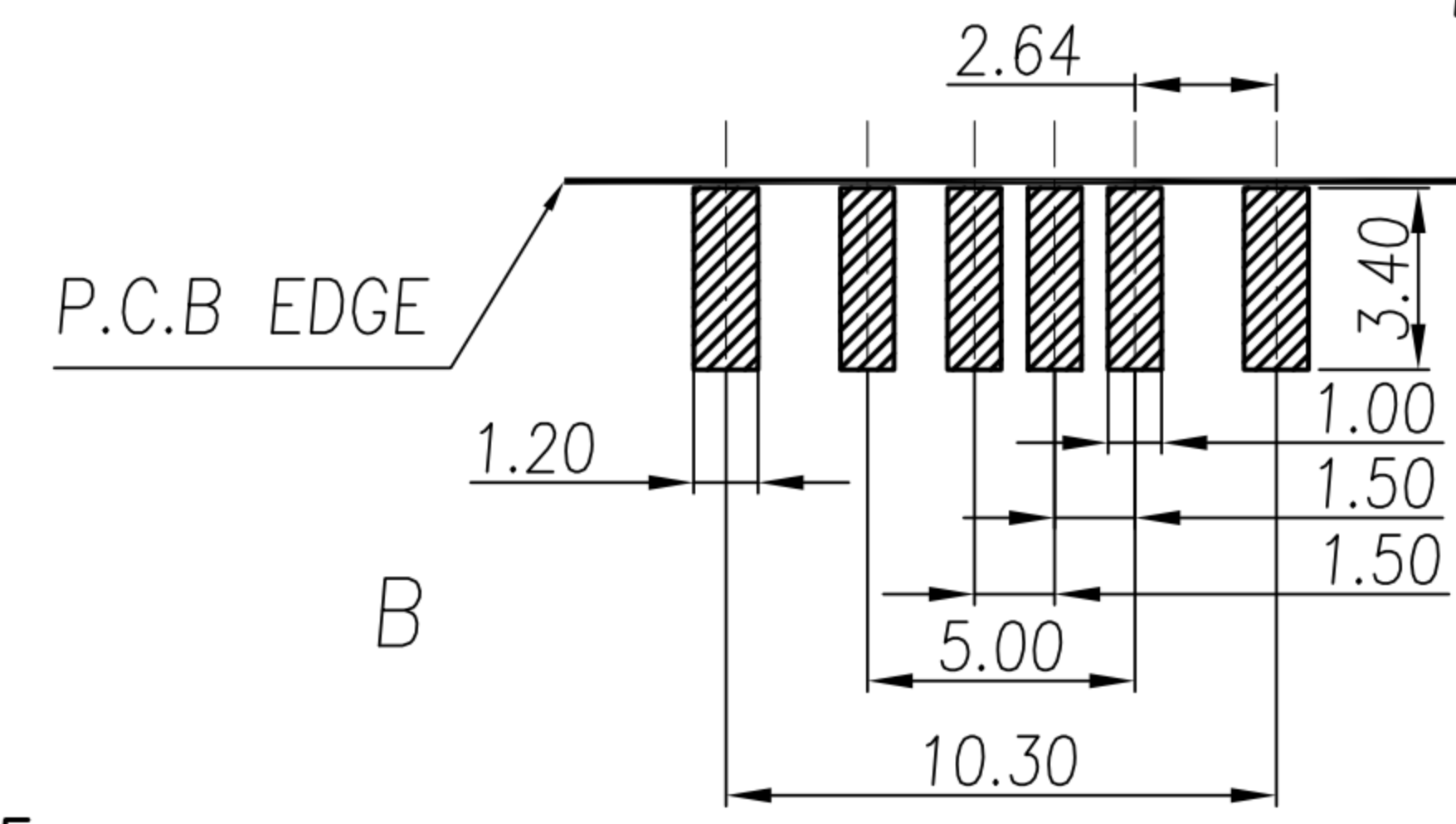


CUSTOMER DRAWING

REV.	DESCRIPTION	APPVL. BY	DATE	ECN NO.
A	ADD QC plat	Fido Wang	02/12/08'	
B	ADD SALES DRAWING	Fido Wang	22/12/08'	ECN-08016
C	CHANGE DIM & LAYOUT	Fido Wang	24/03/09'	ECN-09067



RECOMMENDED PC BOARD LAYOUT FRONT SIDE



RECOMMENDED PC BOARD LAYOUT REVERSE SIDE

NOTE :

1. MATERIAL :
  - 1-1. SHELL : BRASS
  - 1-2. CONTACT : PHOSPHOR BRONZE
  - 1-3. HOUSING : PBT
2. FINISH :
  - 2-1. SHELL : NICKEL 80u" PLATED
  - 2-2. CONTACT : GOLD FLASH ON CONTACT AREA  
UNDER PLATED NICKEL 50u" MIN OVER ALL.

DRAW	Jen Xie	APPVL	Fido Weng	UNIT	mm	TOLERANCE		广东科斯达电子科技有限公司 GUANG DONG KE SI DA ELECTRONIC TECHNOLOGY CO., LTD.	TITLE	MiniDin 7(F) 雙排夾板式			SHEET	1/1
CHECK	Emily Suen			SCALE	1:1	.x ±0.20 .xx ±0.10 .xxx ±0.05 .xxxx ±0.03 ANGULA ±1°			PART NO.	MD-07F2-03	DWG NO.	QC3038	VERSION	C