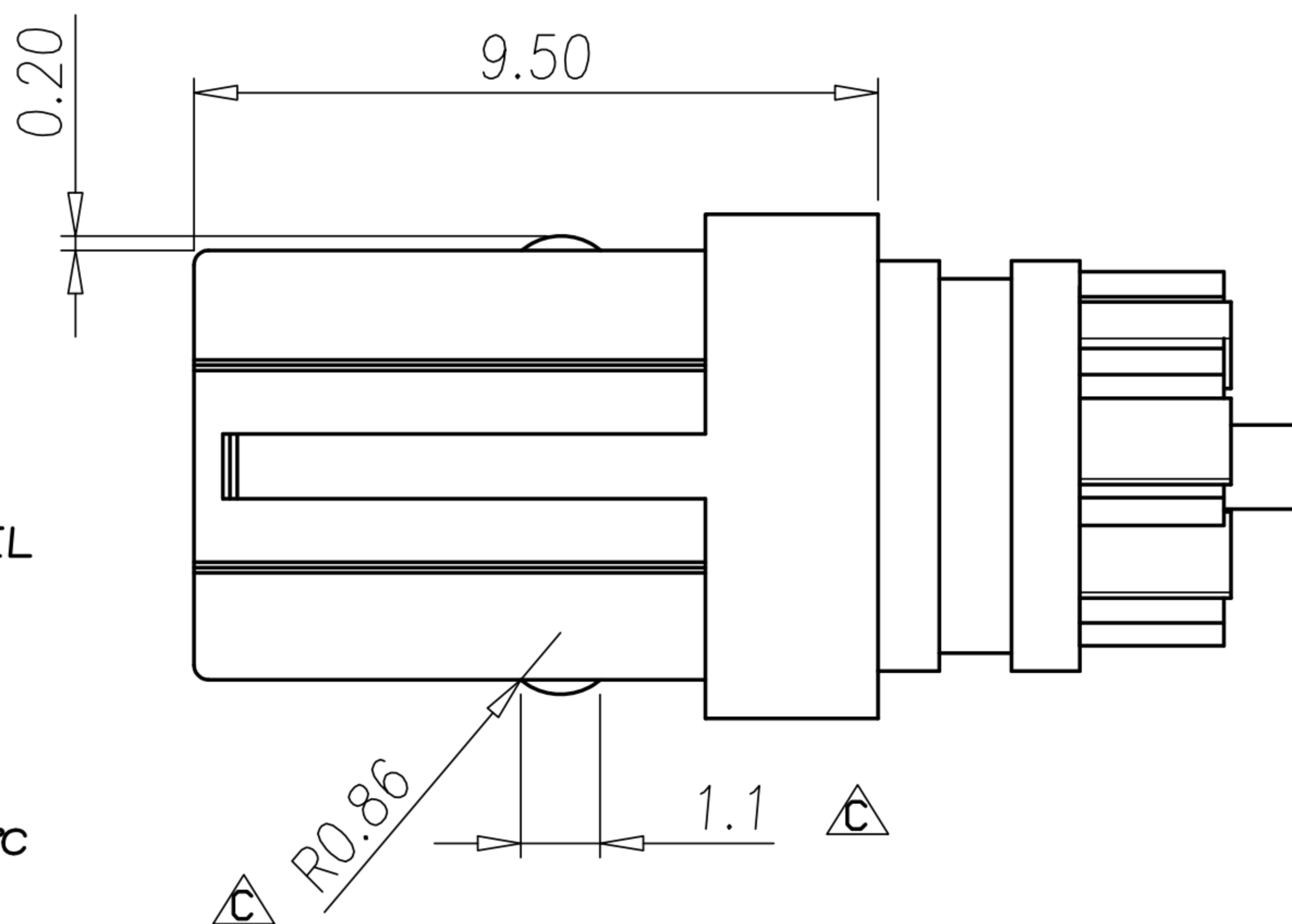
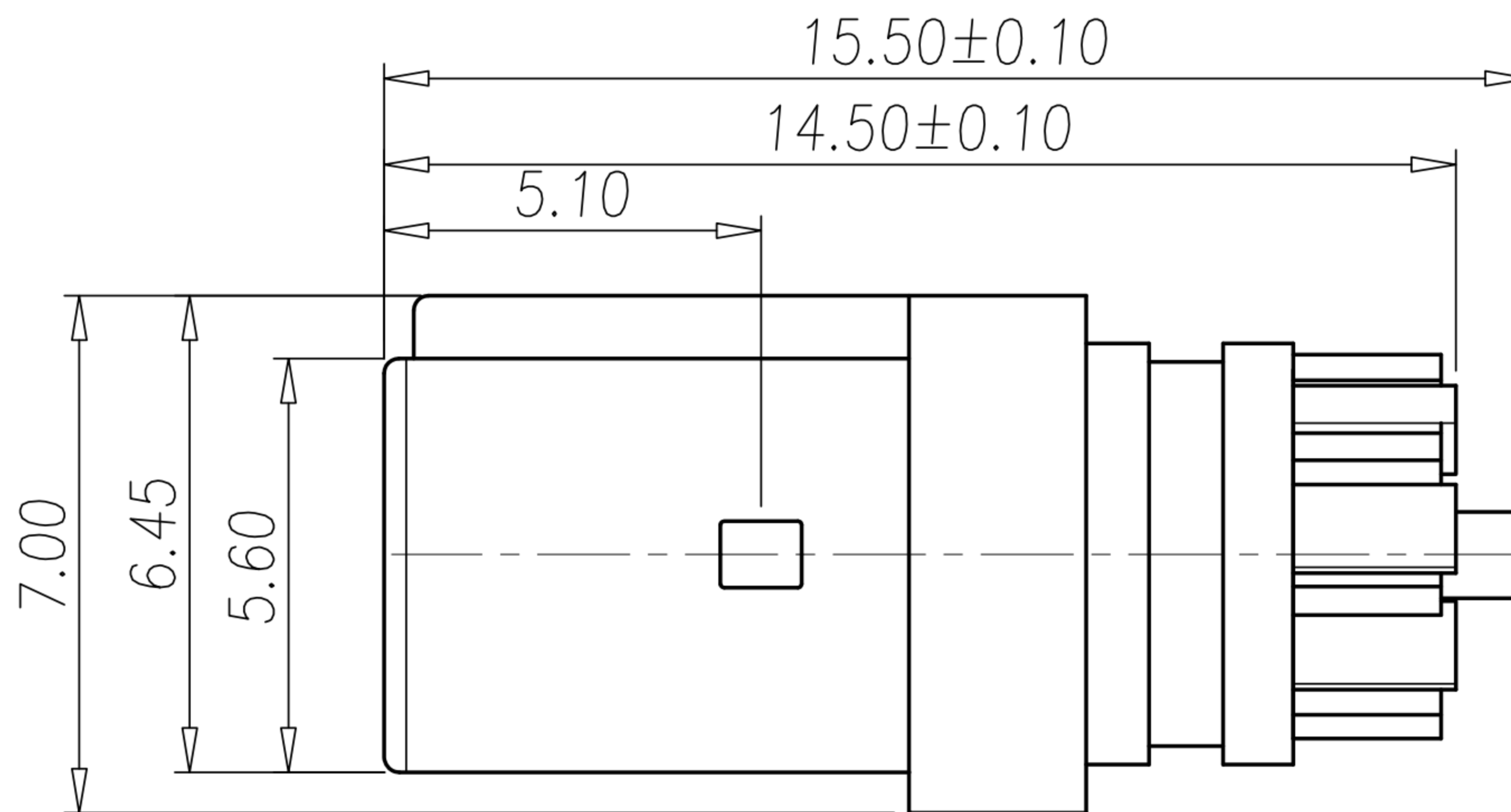
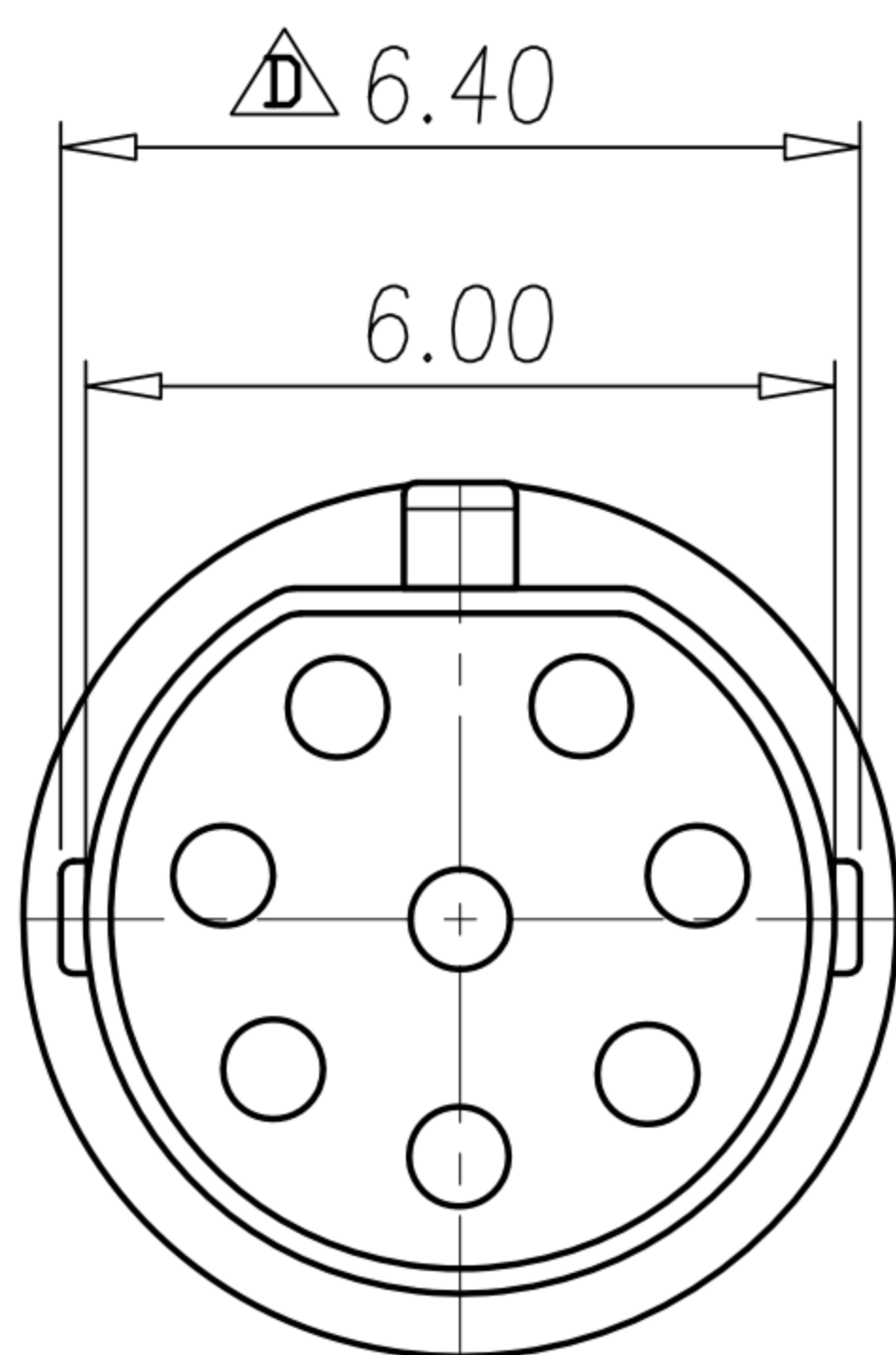


CUSTOMER DRAWING

REV.	DESCRIPTION	APPROVED BY	DATE	ECN NO.
A	RELEASE	Fido Weng	22/12/08'	
B	MODIFY DRAWING	Fido Weng	18/05/10'	ECN10046
C	RELEASE & Change	Fido Weng	27/05/13'	ECN13012
D	更正尺寸	Fido Weng	31/07/13'	



NOTE:

- 1.MATERIAL:
 - 1-1.HOUSING: PBT(BLACK).
 - 1-2.CONTACT: PHOSPHOR BRONZE.
- 2.PLATING:
 - 2-1. CONTACT :30 MICRO INCHES MIN Silver PLATING OVER NICKEL
- 3.SAFETY:
 - 3-1. CURRENT RATING : 1A
 - 3-2. VOLTAGE RATING : 30V
- 4.ENVIRONMENTAL :
 - 4-1.OPERATION TEMPERATURE : -20 ℃~85℃

DRAWN	Jen Xie	APP'D	Fido Weng	UNIT	mm	TOLERANCE			TITLE	特8P (F) Lock			SHEET	
CHK'D	Emily Suen			SCALE	1:1	.x ±0.20 .xx ±0.10 .xxx ±0.05 .xxxx ±0.03 ANGULA ±1°			PART NO.	SPD-08F1-02	DWG NO.	QC3547	VERSION	