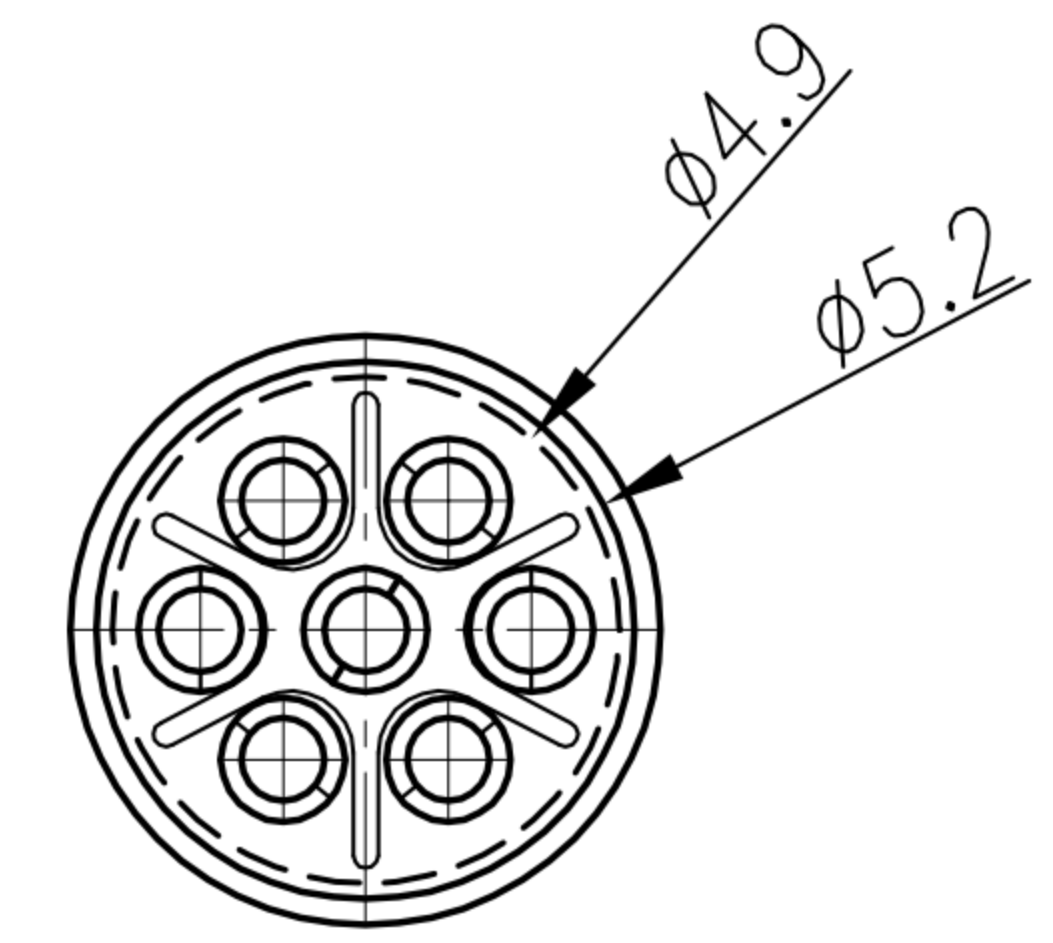
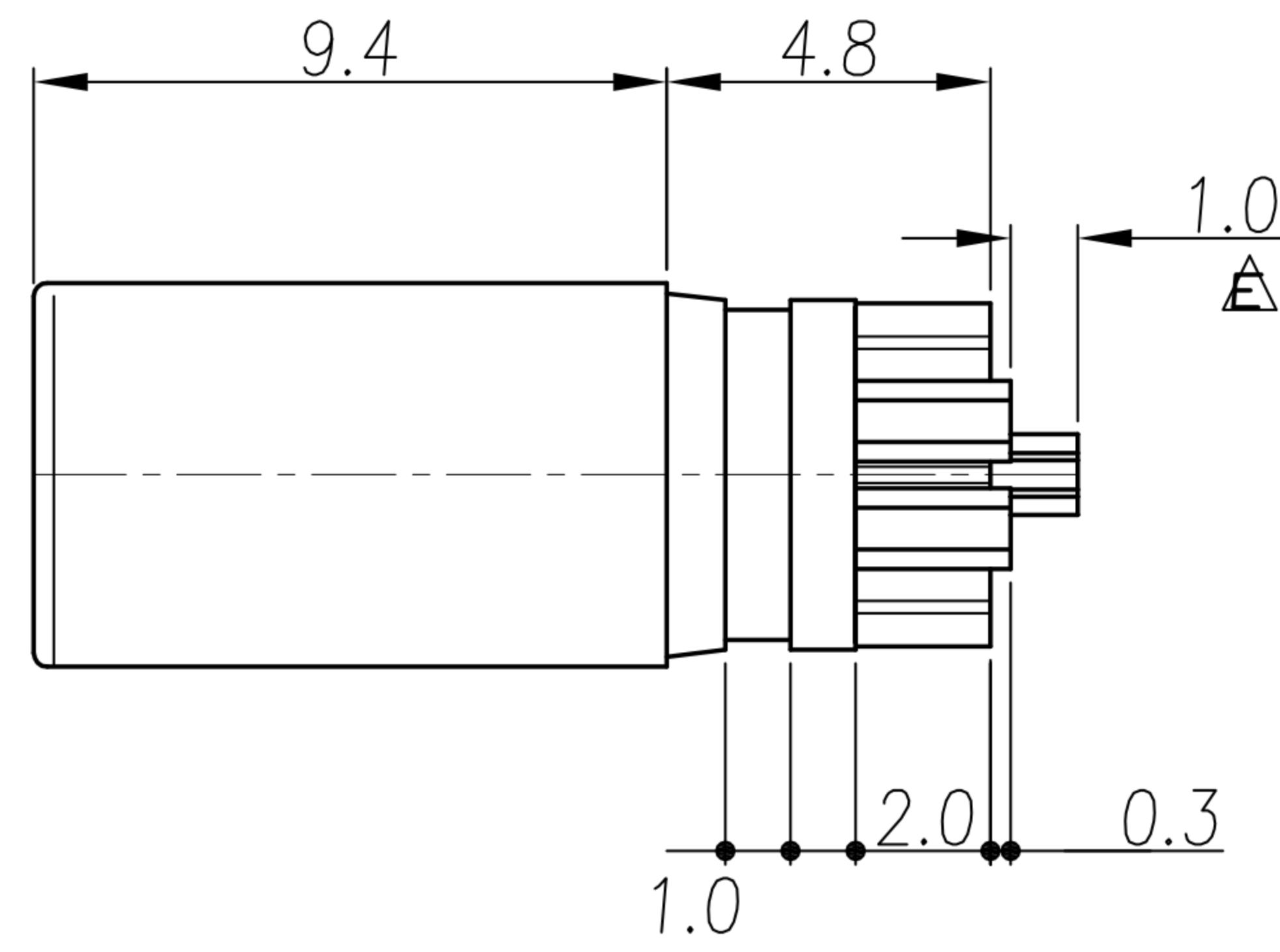
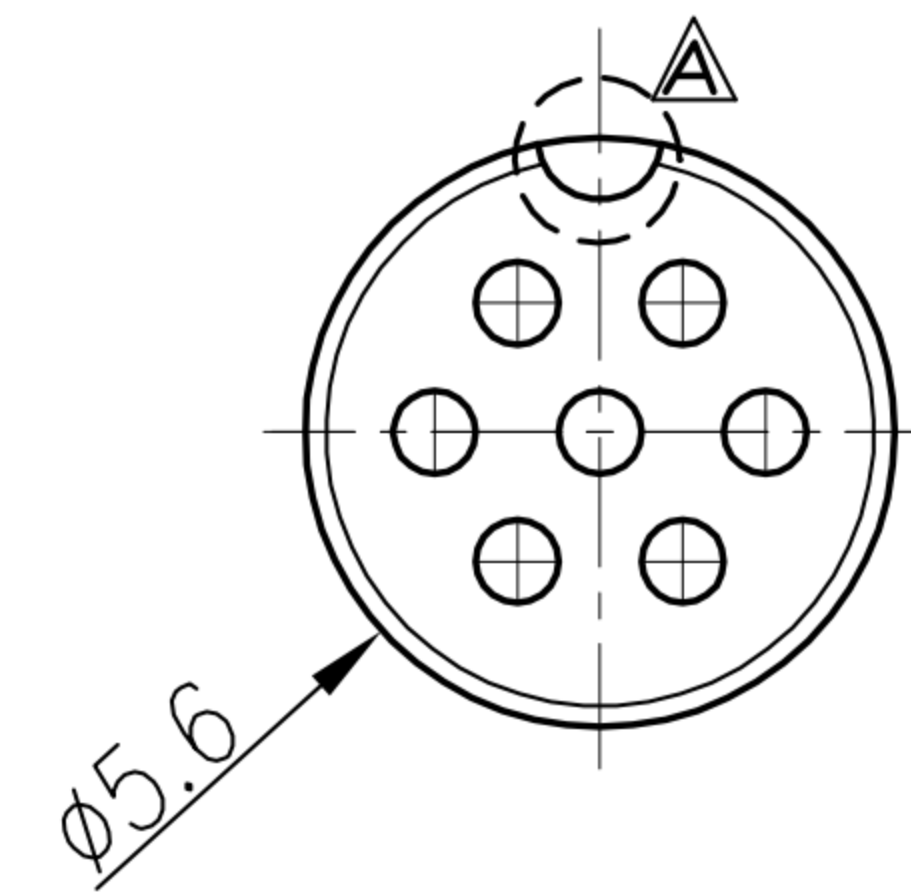
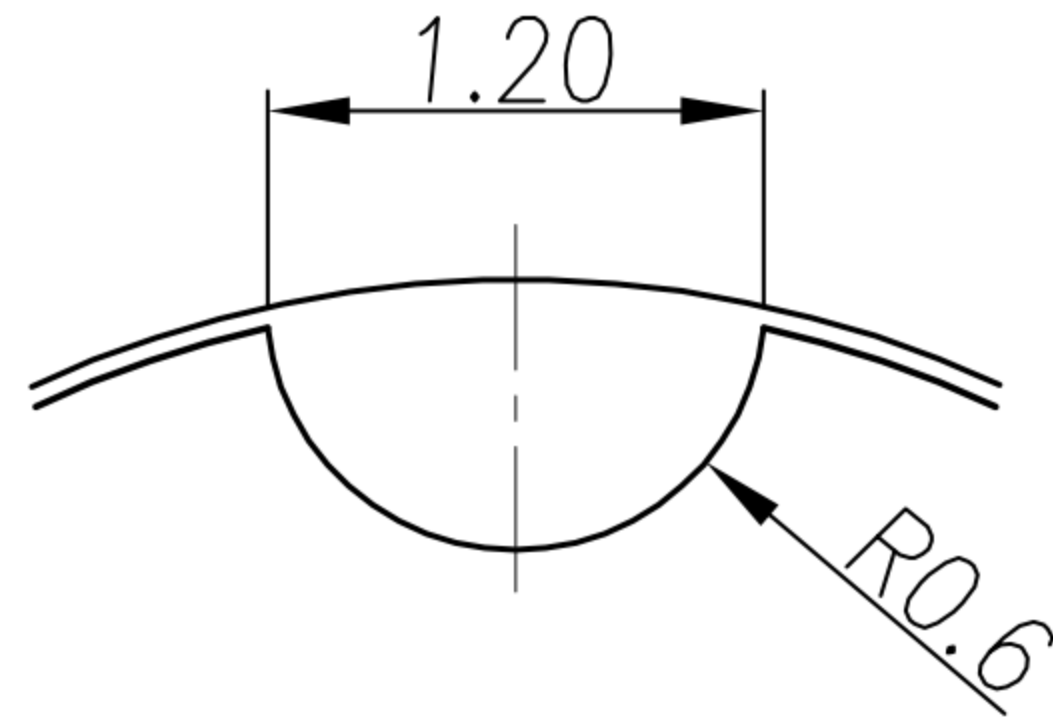


CUSTOMER DRAWING

REV.	DESCRIPTION	APPROVED BY	DATE	ECN NO.
E	修正標示	Frank	25/01/08'	
F	RELEASE	Fido Weng	20/08/09'	
G				



備註/NOTE:

- 1.MATERIAL:
 - 1-1.膠本/HOUSING: PBT(TABLE A)
 - 1-2.針/PIN: 銅鍍/BRONZE.
- 2.PLATING:
 - 2-1.針/PIN: 銀 30u"/SILVER 30u".
- 3.Specification:
 - 3-1.Current rating: 1A AC/DC Min.
 - 3-2.Voltage rating: 30V AC/DC Min.
 - 3-3.Contact resistance: 30Mohm Max.
 - 3-4.Insulation resistance: 100Mohm Min.
 - 3-5.Dielectric Withstanding voltage: 500V AC/ 1 minute.

TABLE A

	SPD-07F1-01	特7PIN (F) 黑
	SPD-07F1-02	特7PIN (F) 綠
△	SPD-07F1-03	特7PIN 重拉力 (F) 黑
△	SPD-07F1-04	特7PIN 重拉力 (F) 綠
	P/N	DESCRIPTION

DRAWN	賴鴻志	APP'D	Fido Weng	UNIT	mm	TOLERANCE		广东科斯达电子科技有限公司 GUANG DONG KE SI DA ELECTRONIC TECHNOLOGY CO., LTD.	TITLE	特7PIN (M)			SHEET	1 G
CHK'D	Emily Suen			SCALE	1:1	.x ±0.20 .xx ±0.10 .xxx ±0.05 .xxxx ±0.03 ANGULA ±1°			PART NO.	TABLE A	DWG NO.	QC1364	VERSION	