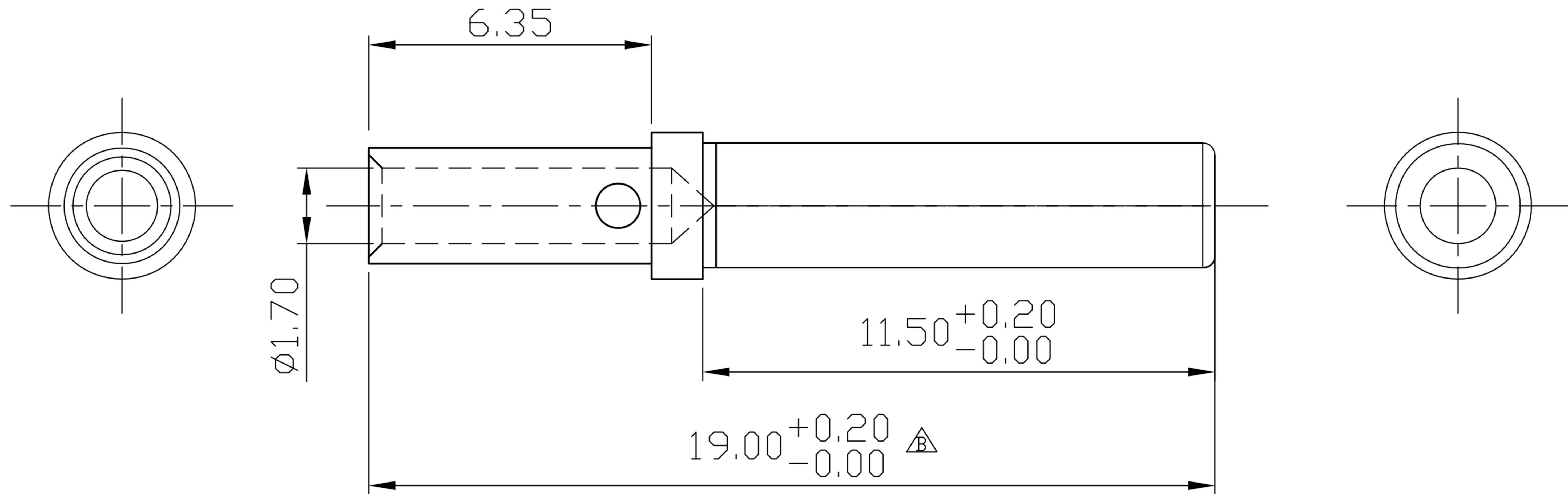


CUSTOMER DRAWING

1. MATERIAL :
 1-1. CONTACT : BRASS
 1-2. SHELL : STAINLESS STEEL
2. FINISH :
 2-1. CONTACT : SEE TABLE A

REV.	DESCRIPTION	APPROVED BY	DATE	ECN NO.
△A	RELEASE	Yeh Chou		
△B	修改标注	Fido Weng	16/08/16"	
△C	修改鍍金 U" 數	Fido Weng	02/09/16"	
△D	ADD TABLE A	Fido Weng	25/05/18"	



△D TABLE A

NY-WP1042-11	NICKEL PLATED/鍍鎳
NY-WP323	10u" GOLD PLATED/鍍金10u"
PART NO	FINISH

DRAWN	Yeh Chou	APP'D	Ku Chou	UNIT	mm	TOLERANCE		广东科斯达电子科技有限公司 GUANG DONG KE SI DA ELECTRONIC TECHNOLOGY CO., LTD.	TITLE	防水頭9PIN(F)端子半成品			SHEET	1
CHK'D	Yeh Chou			SCALE	1:1	.x ±0.20 .xx ±0.10 .xxx ±0.05 .xxxx ±0.03 ANGULA ±1°			PART NO.	SEE TABLE A	DWG NO.	QC5151	VERSION	D