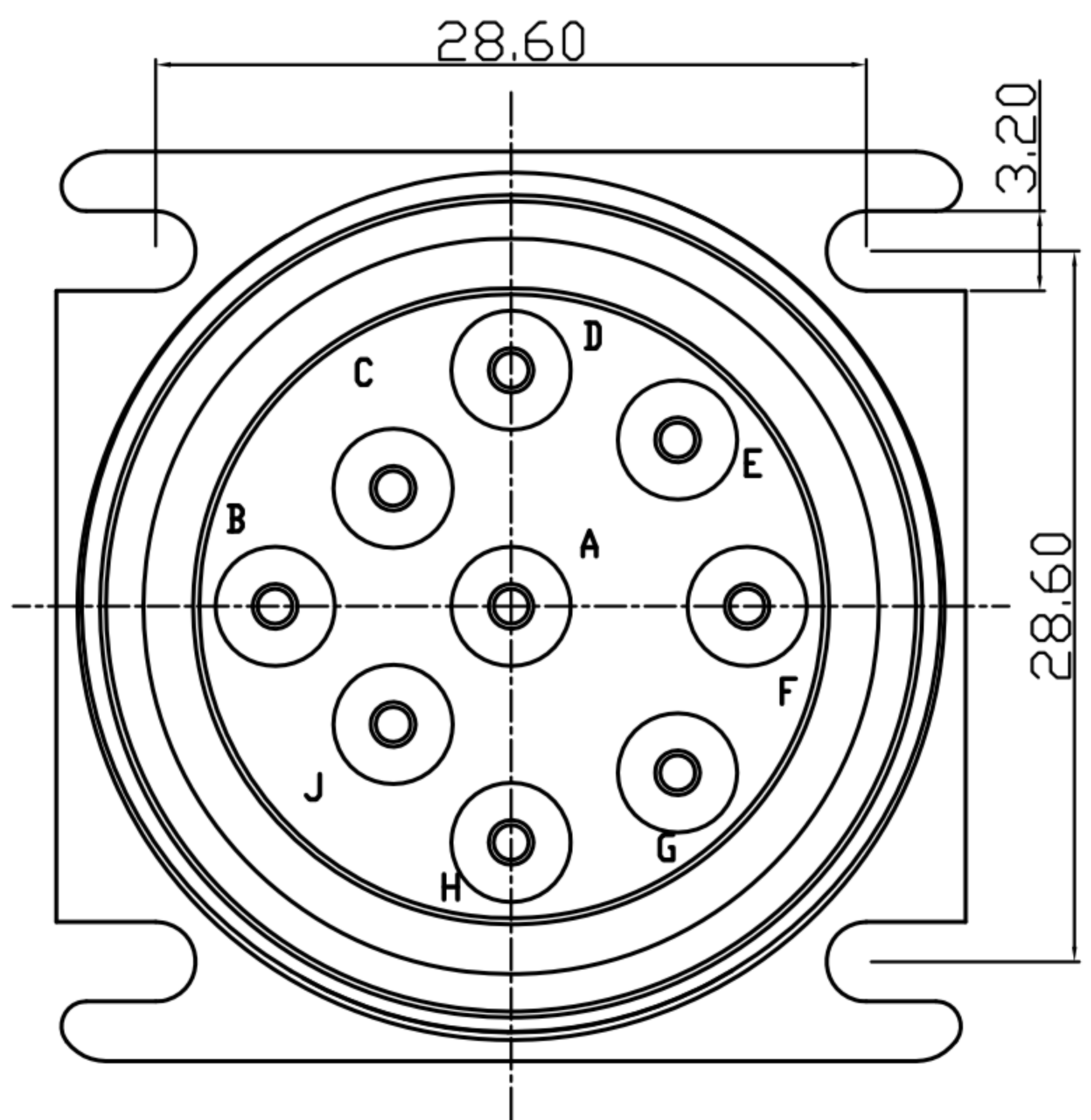
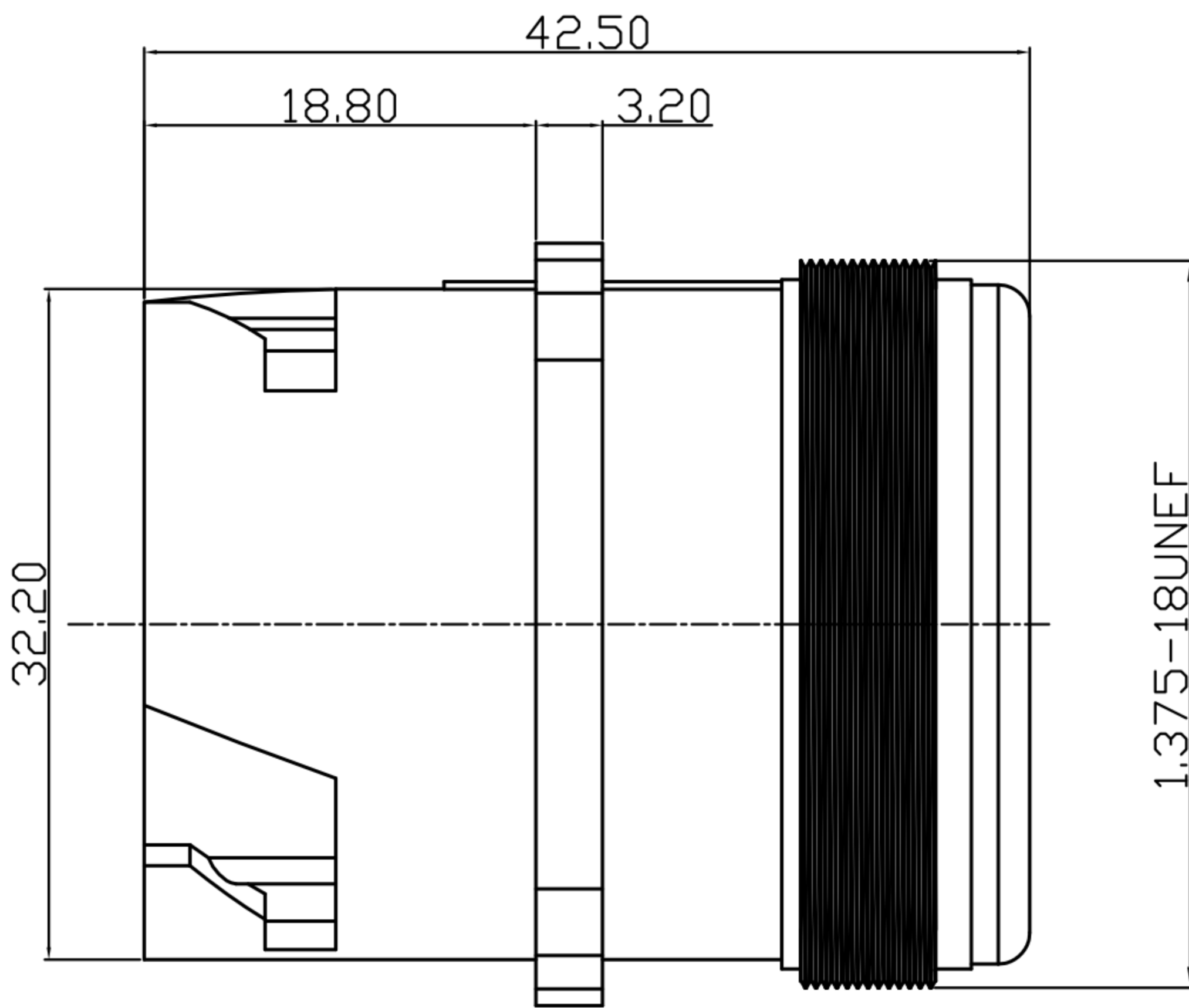
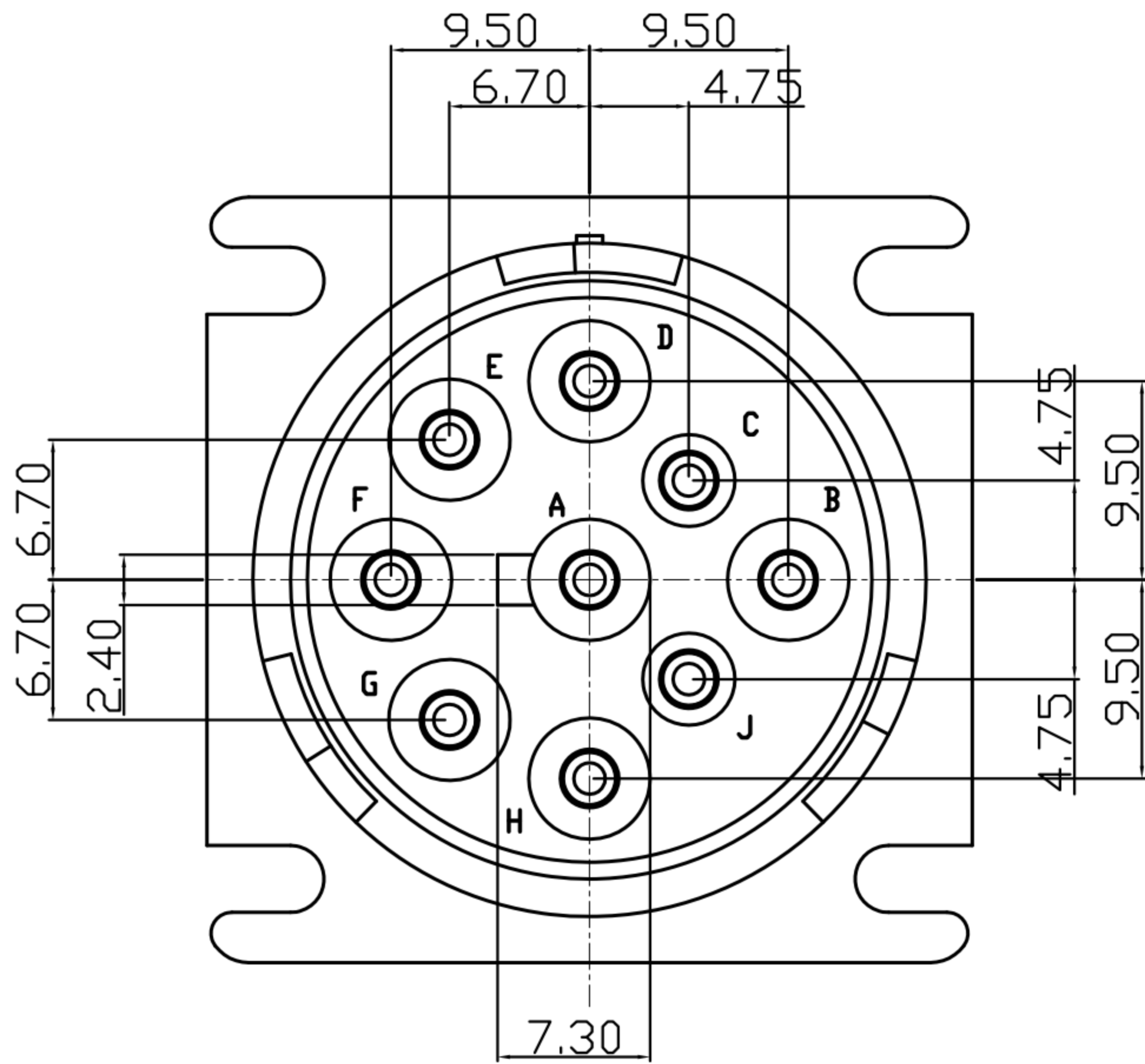
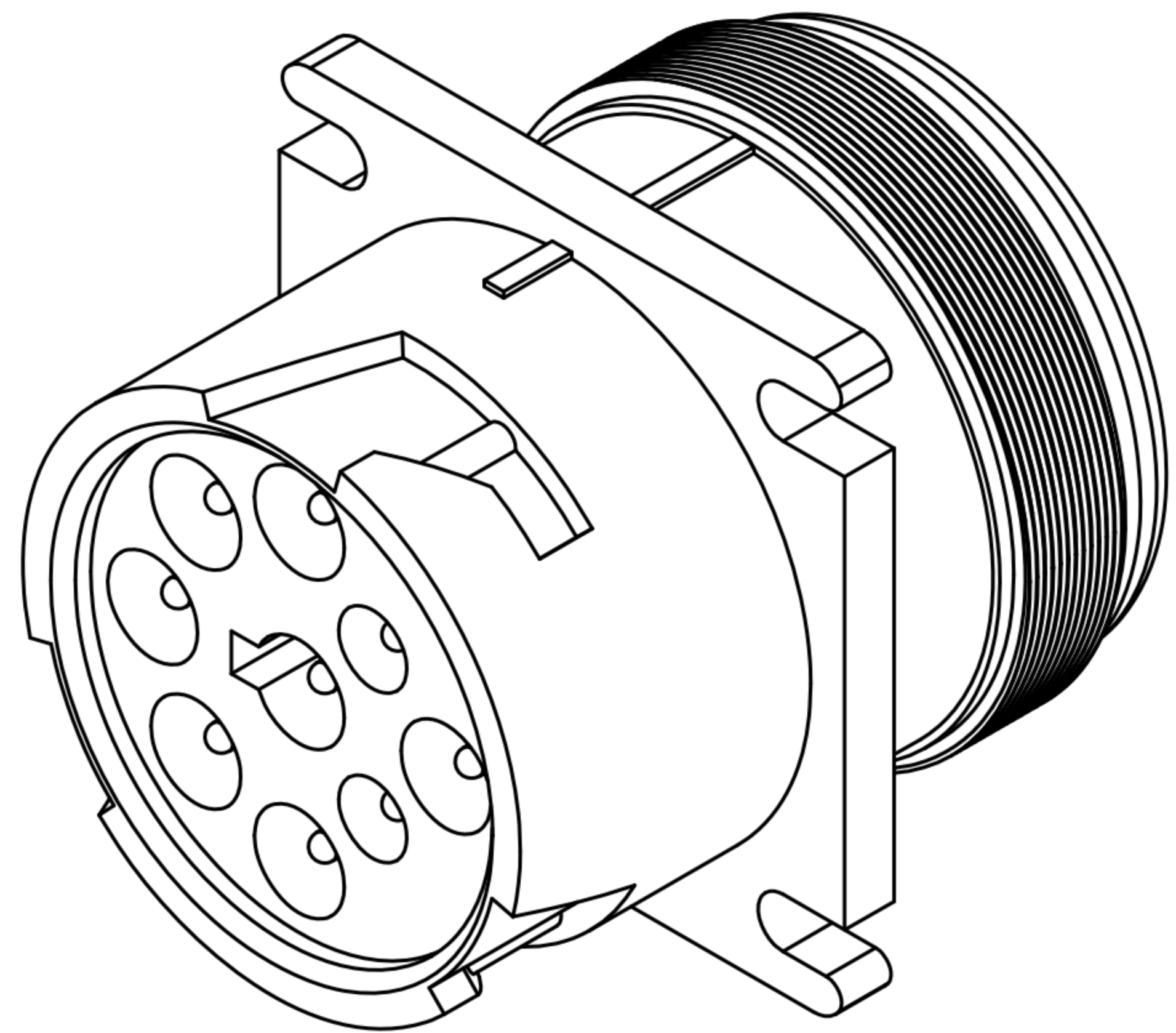


CUSTOMER DRAWING

REV.	DESCRIPTION	APPROVED BY	DATE	ECN NO.
A	RELEASE	EMILY SUEN	03/01/11'	
B				
C				

1. MATERIAL :
 - 1-1. INSULATOR : PA66 ; COLOR : BLACK
 - 1-2. HOUSING : PA66 ; COLOR : BLACK
 - 1-3. REAR COVER : PA66 ; COLOR : BLACK
 - 1-4. RUBBER : SILICONE ; COLOR : ORANGE
2. ELECTRICAL SPECIFICATION :
 - 2-1. Rated current : 13A
 - 2-2. Rated Voltage : 500V
 - 2-3. Water proof : IP67
3. Environmental :
 - 3-1. Operation Temperature : -40°~105°



DRAWN	Mark Kao	APP'D	Ku Chou	UNIT	mm	TOLERANCE			TITLE	防水9PIN(F)(1.375-18UNEF)			SHEET	
CHK'D	Emily Suen			SCALE	1:1	.x ±0.10 .xx ±0.05 .xxx ±0.03 .xxxx ±0.01 ANGULA ±1°			PART NO.	WP-09F2-01	DWG NO.	QC5155	VERSION	