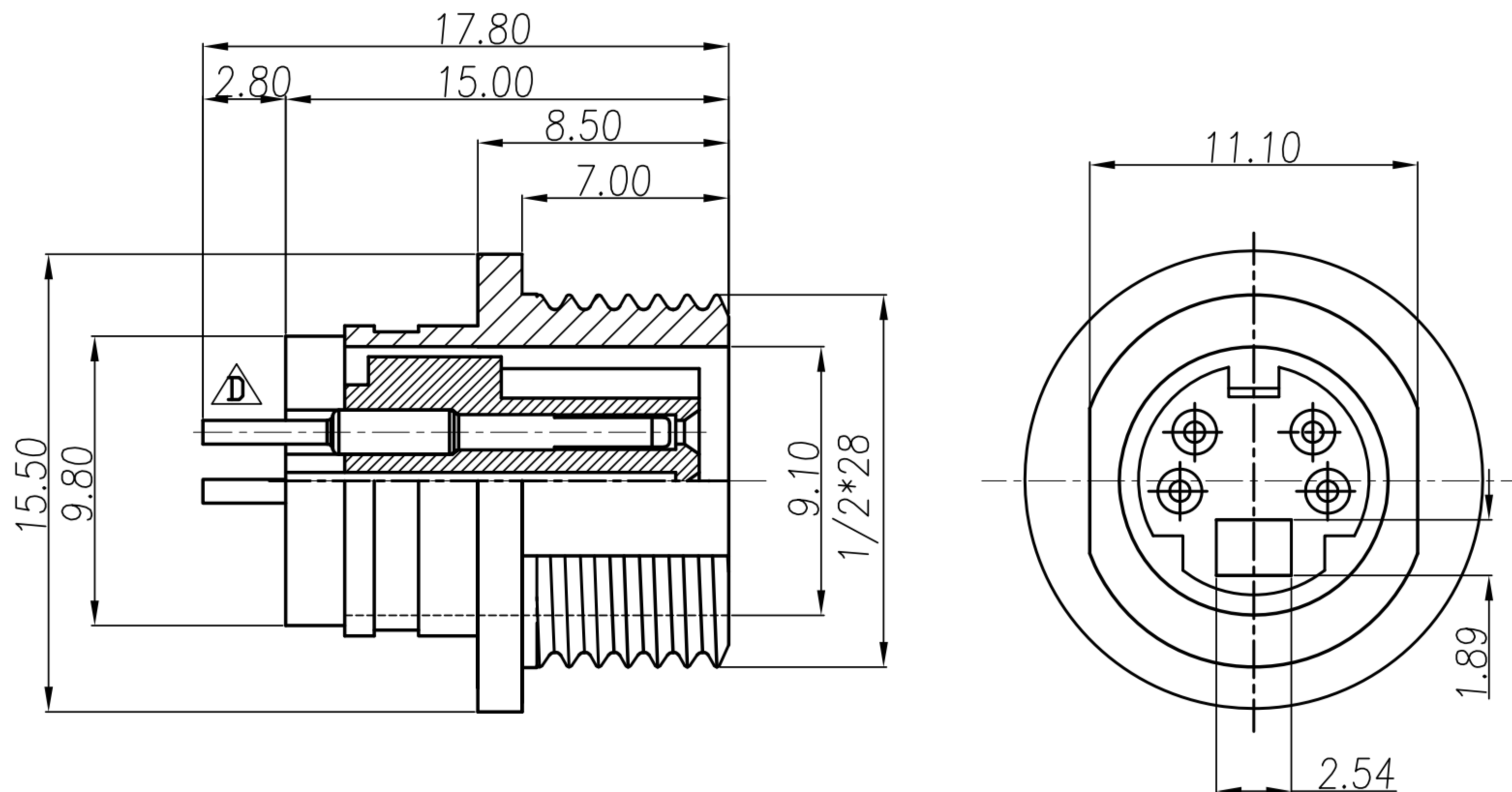


# CUSTOMER DRAWING

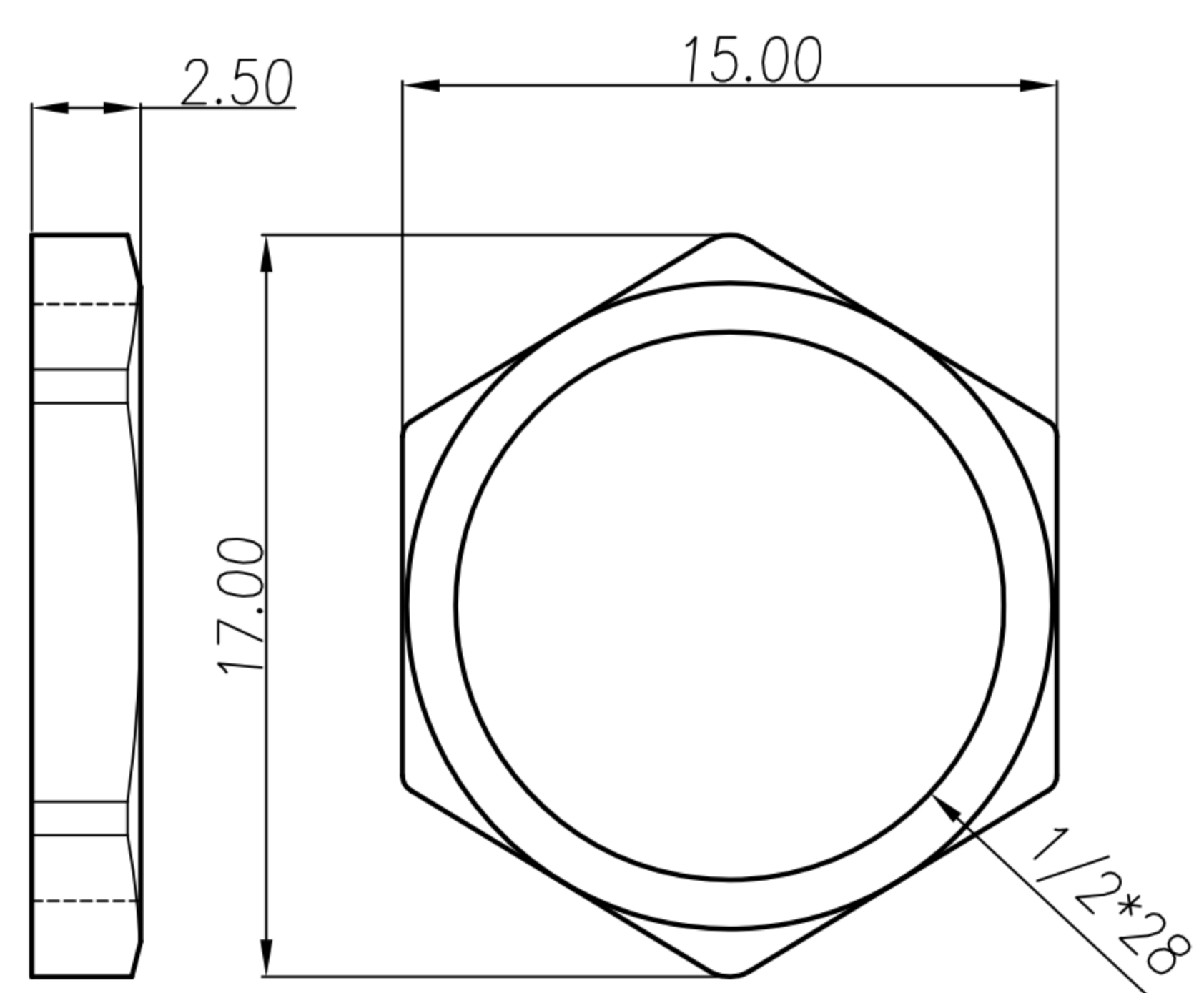
REV.	DESCRIPTION	APPROVED BY	DATE	ECN NO.
B	RELEASE	Emily Suen	29/05/12'	
C	CHANGE P/N 和 繪圖	Fido Weng	28/11/13'	
D	變更端子		13/05/14'	



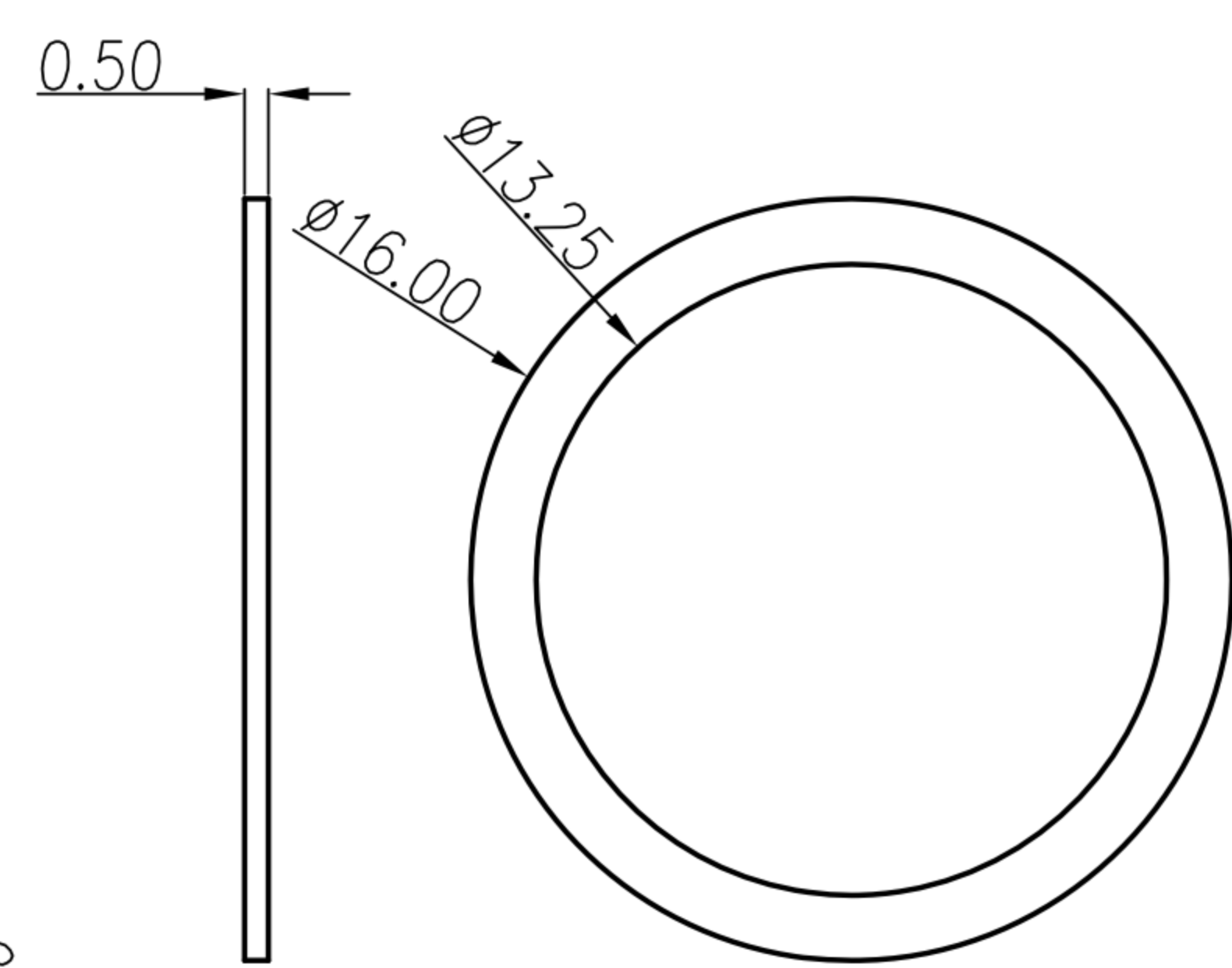
- MATERIAL :
  - 1-1. HOUSING : PBT+30%GF UL94V-0 ; COLOR : BLACK
  - 1-2. CONTACT : PHOSPHOR BRONZE
  - 1-3. NUT : BRASS
  - 1-4. SPACER : STAINLESS STEEL.
  - 1-5. SHELL : BRASS.
- FINISH :
  - 2-1. CONTACT : GOLD FLASH PLATED.
  - 2-2. NUT : SEE TABLE A
  - 2-3. SPACER : SEE TABLE A
  - 2-4. SHELL : SEE TABLE A
- ELECTRICAL SPECIFICATION :
  - 3-1. Rated current : 2A
  - 3-2. Rated voltage : 12V
- Environmental :
  - 4-1. Operation Temperature : -20℃~85℃

TABLE A

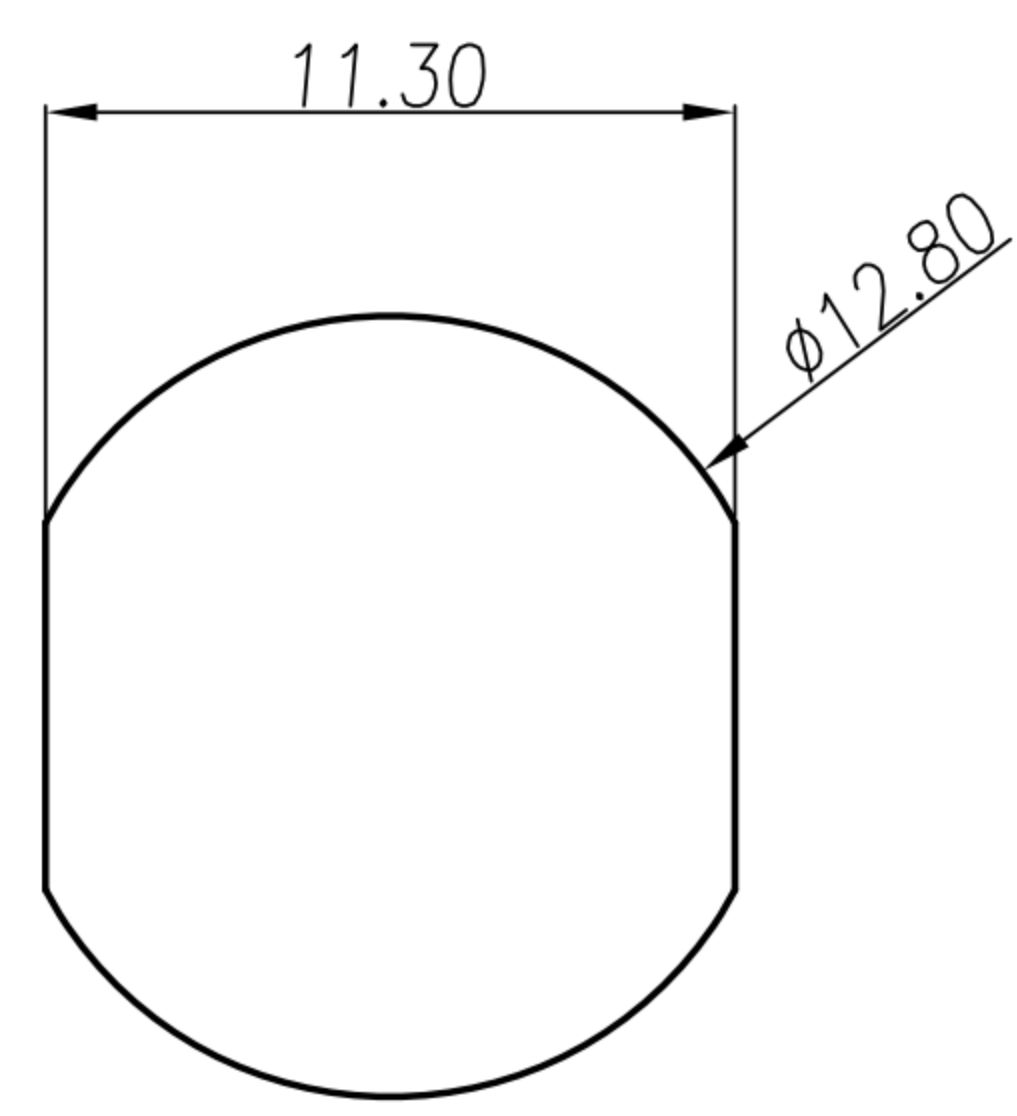
MD-04F2-08	鍍/Ni
MD-04F2-02	表金 /GOLD FLASH
P/N	PLATING



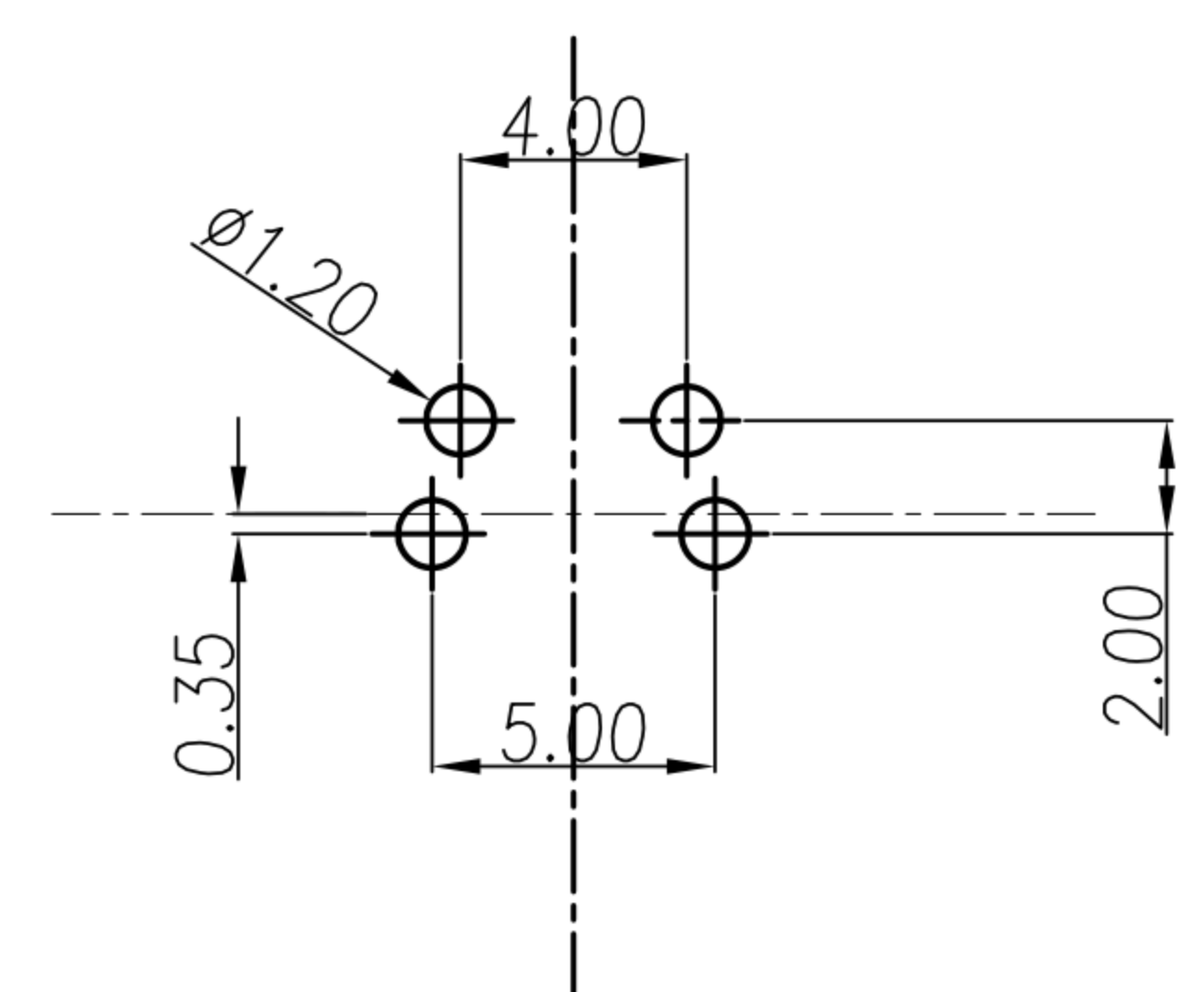
NUT



SPACER



RECOMMEND PANEL CUT-OUT



RECOMMEND P.C.B

DRAWN	Angus Lai	APP'D	Fido Weng	UNIT	mm	TOLERANCE			TITLE	MiniDin 4(F) 板端十六角螺母			SHEET	
CHK'D	Emily Suen			SCALE	1:1	.x ±0.10 .xx ±0.05 .xxx ±0.03 .xxxx ±0.01 ANGULA ±1°			PART NO.	SEE TABLE A	DWG NO.	QC2200	VERSION	