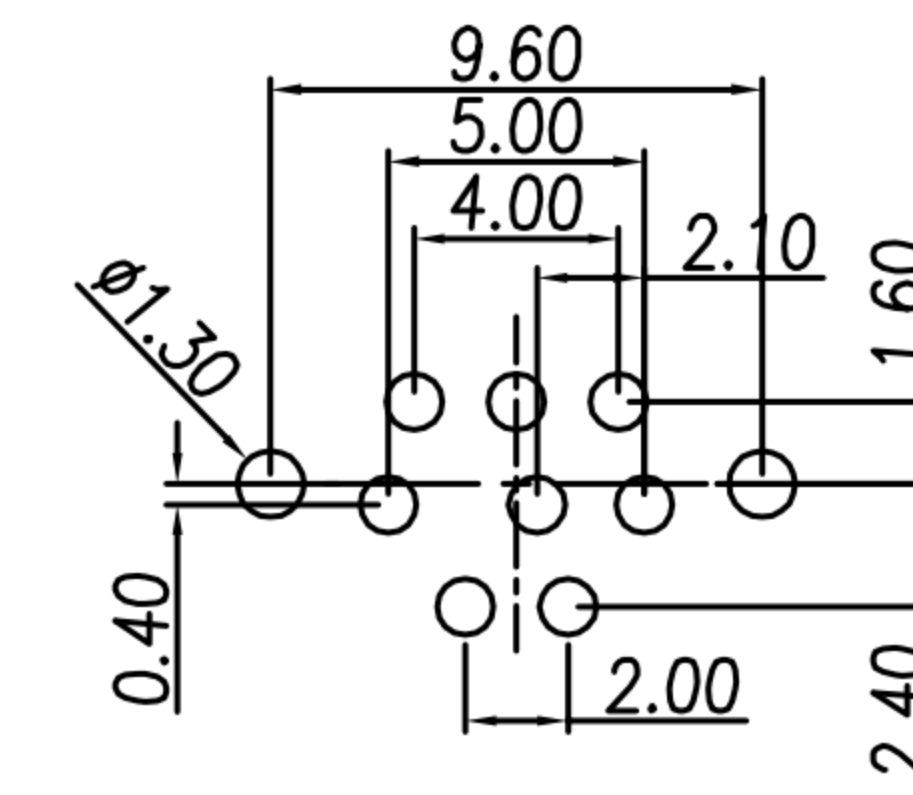
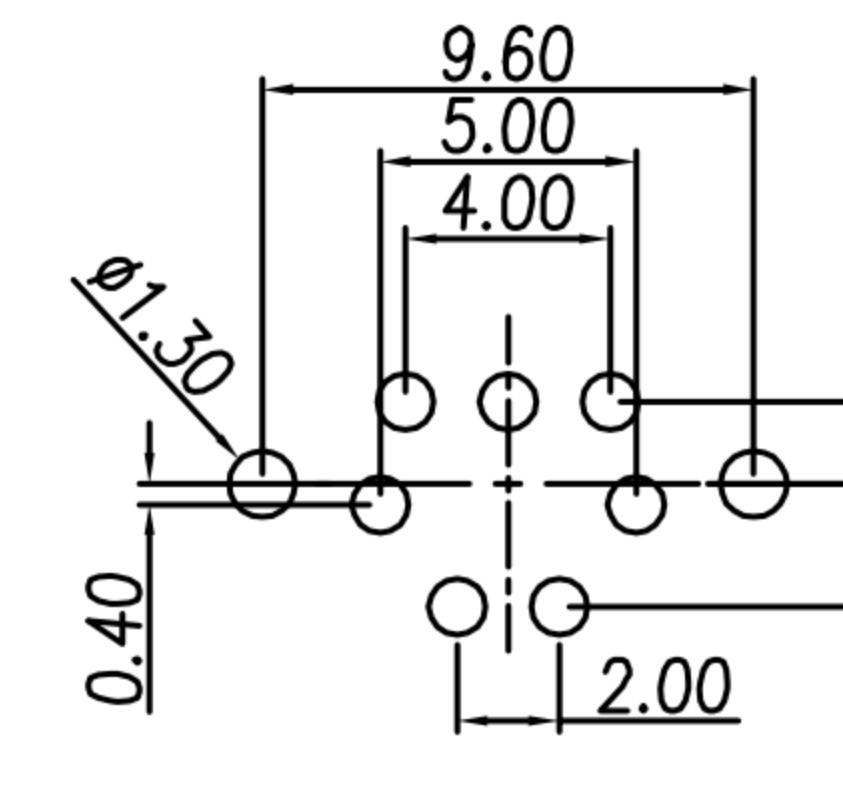
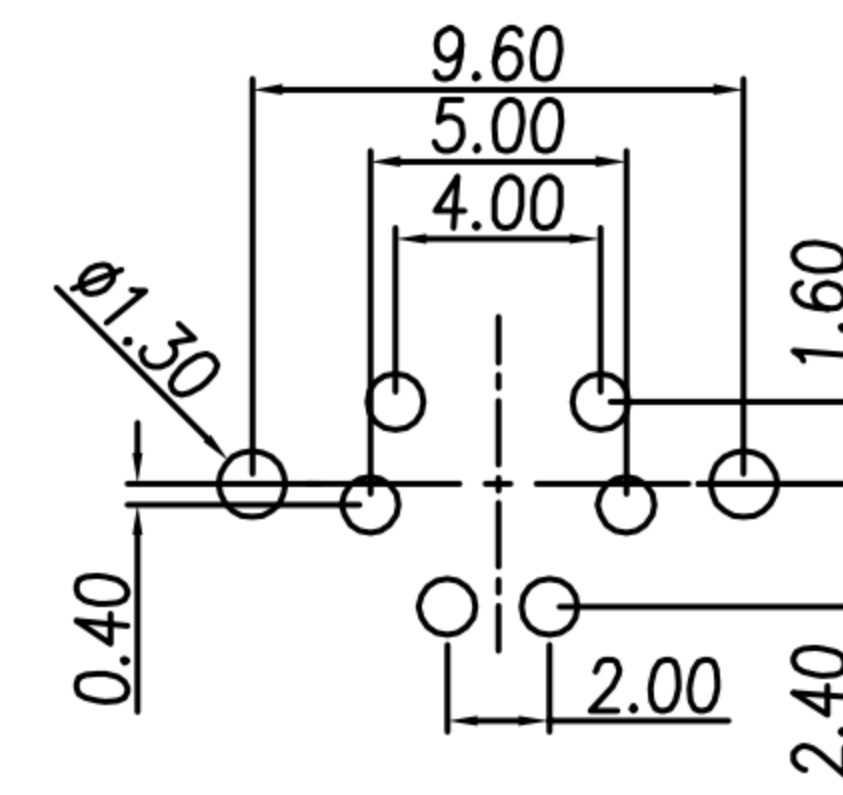
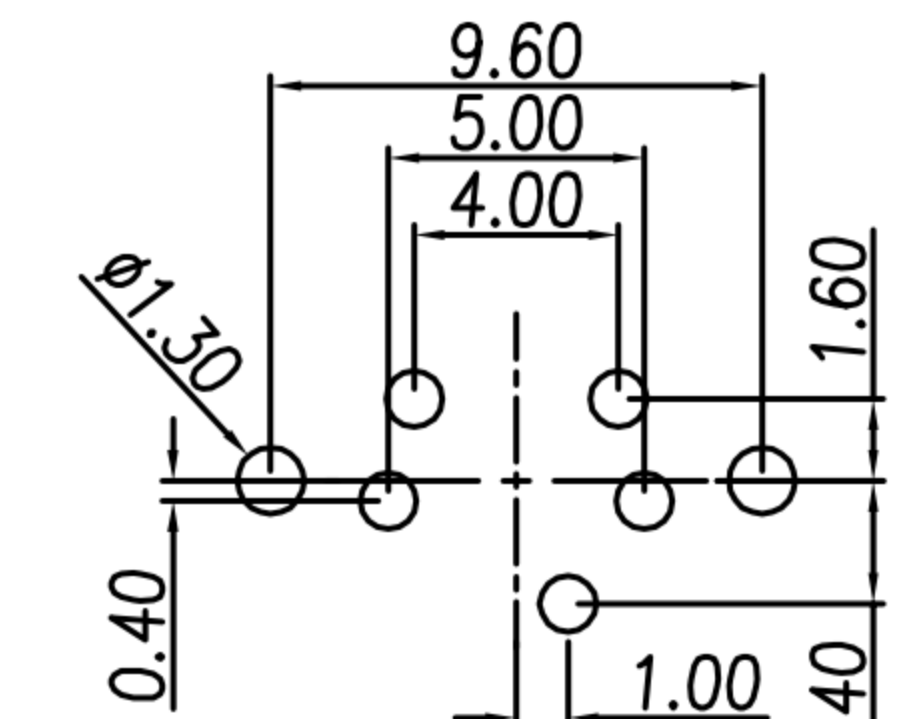
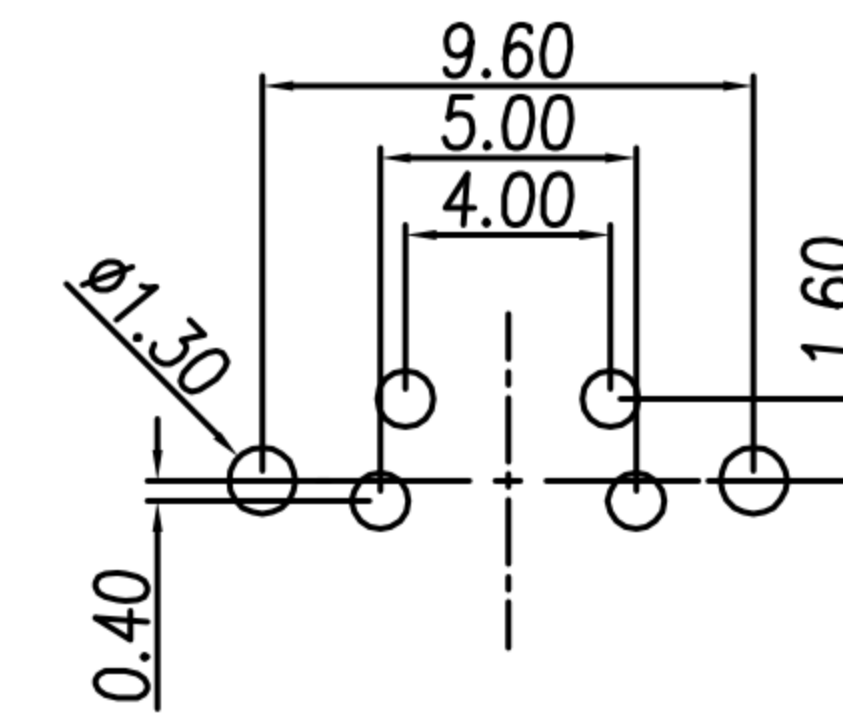
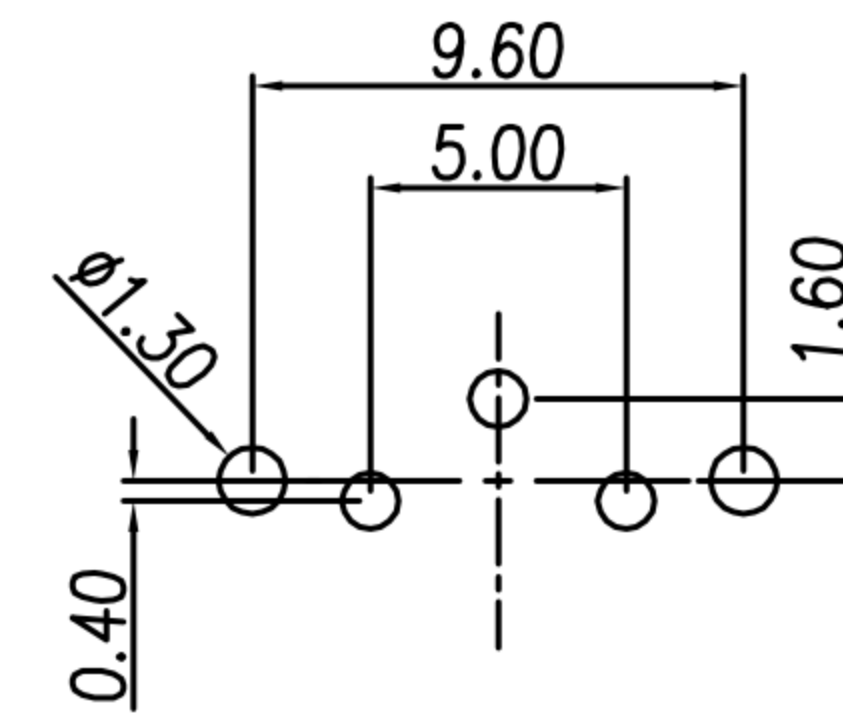
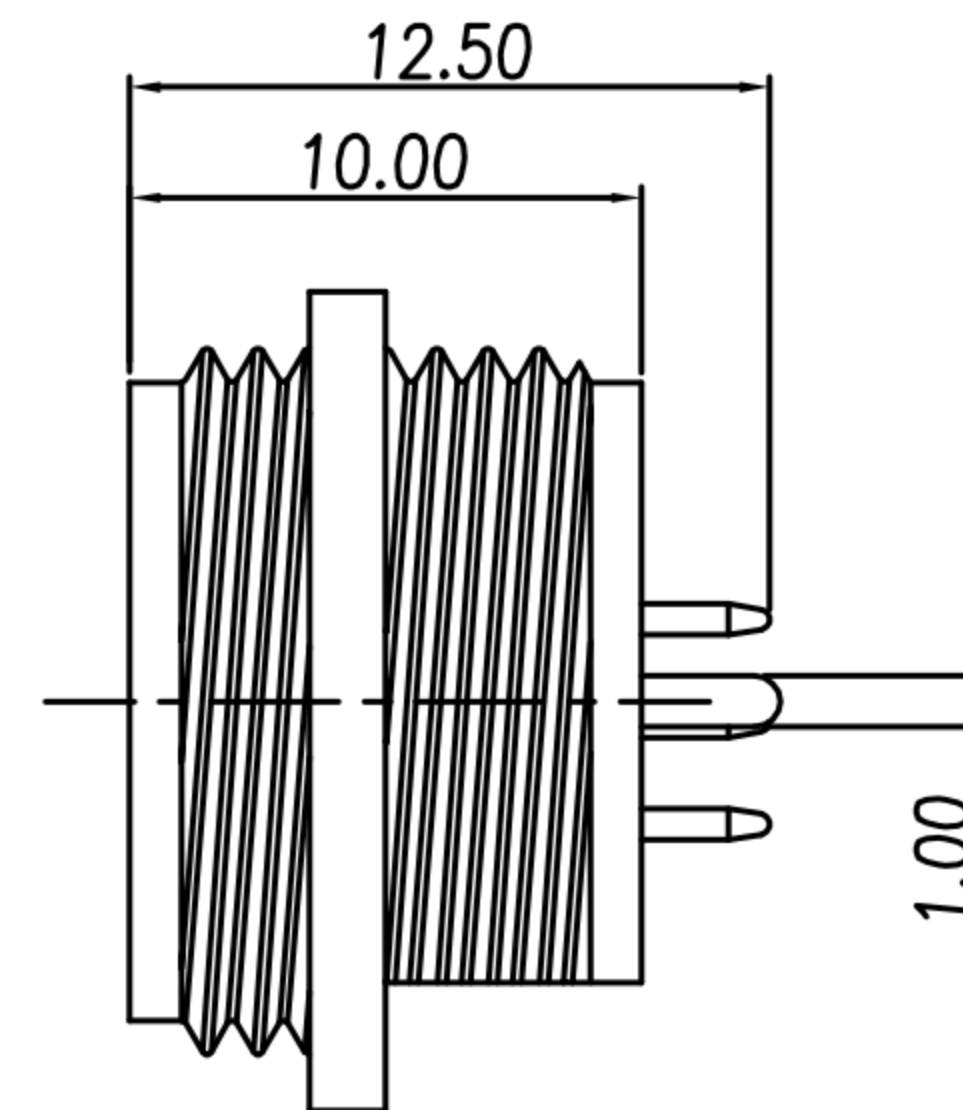
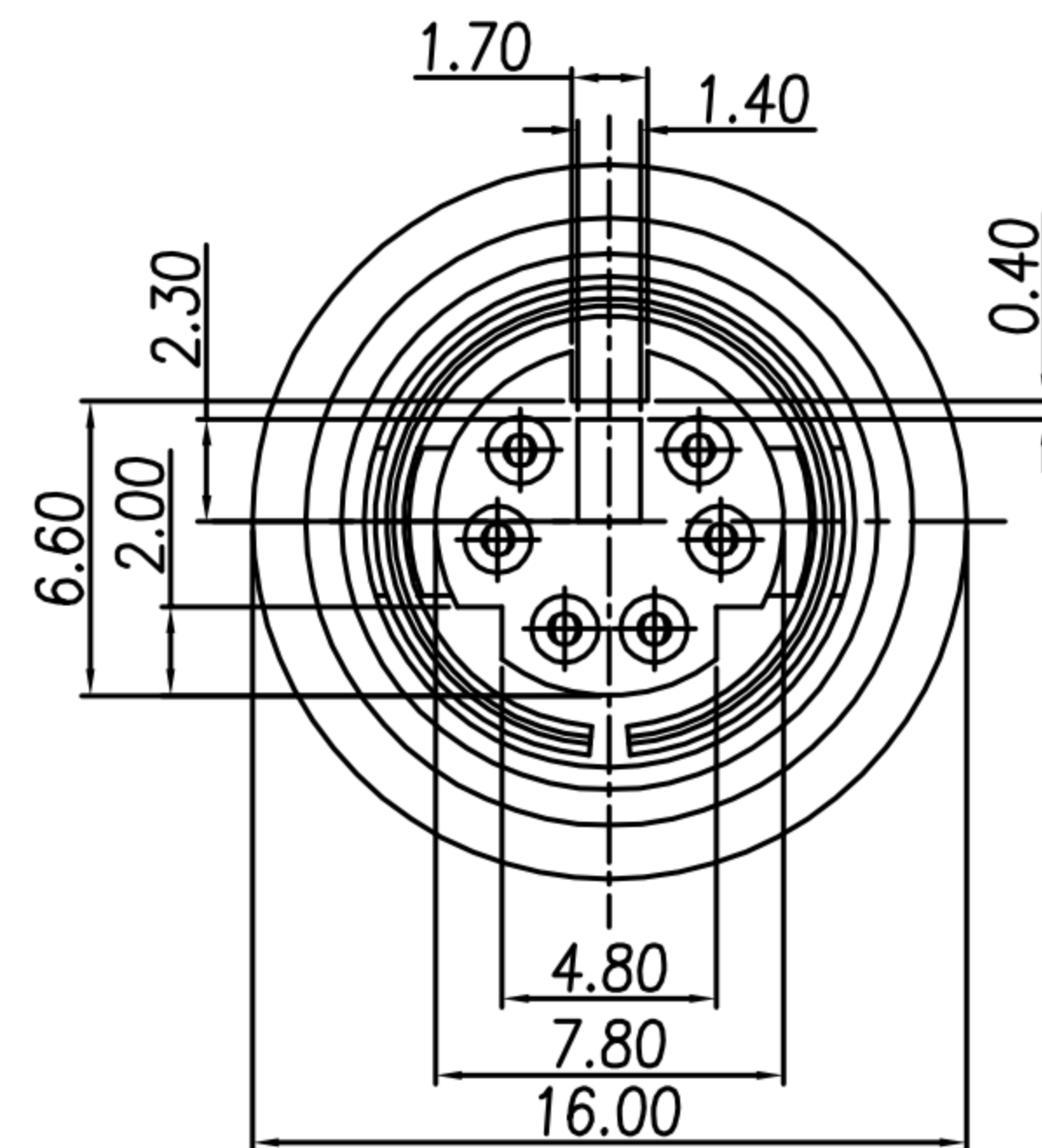
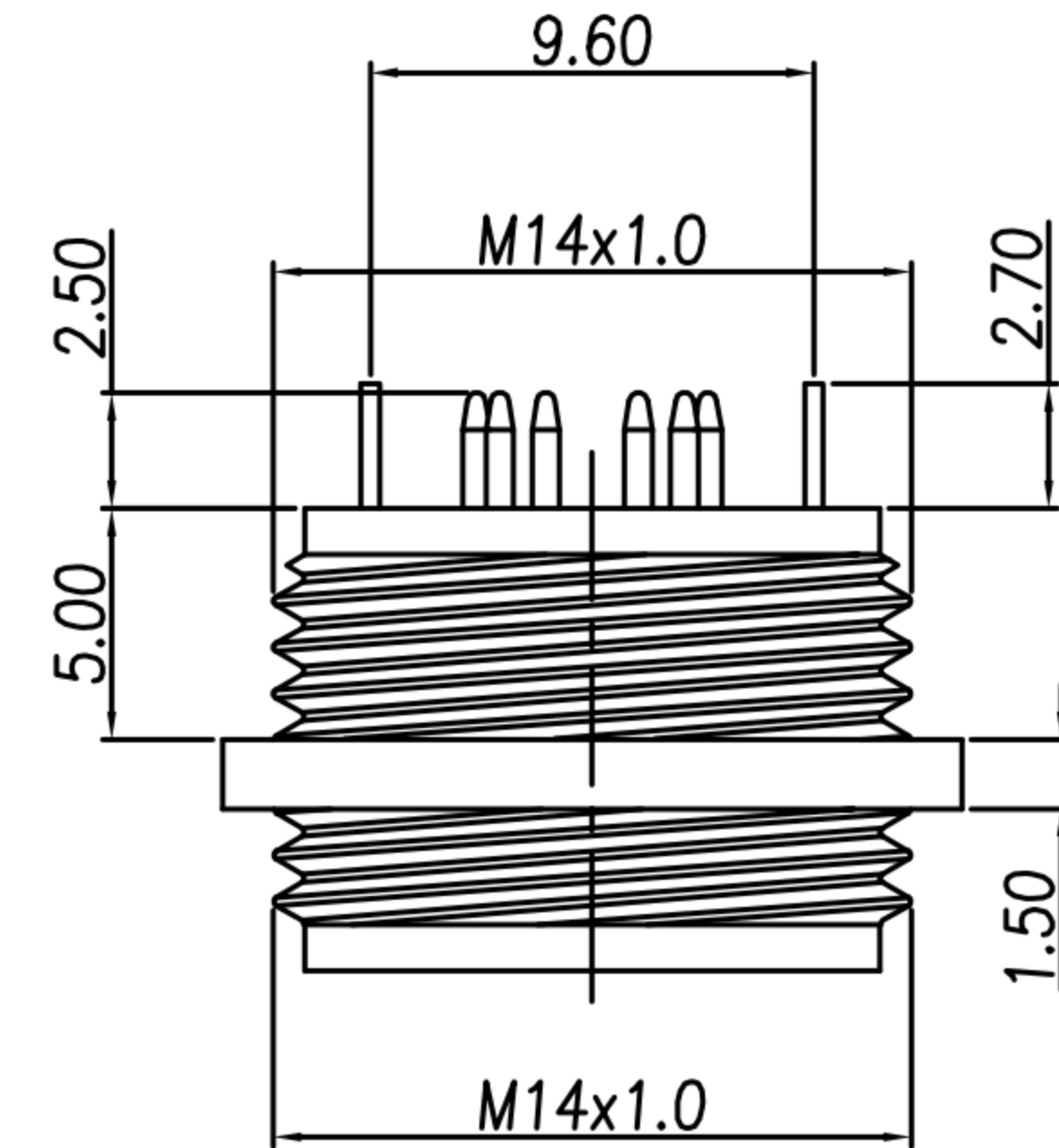
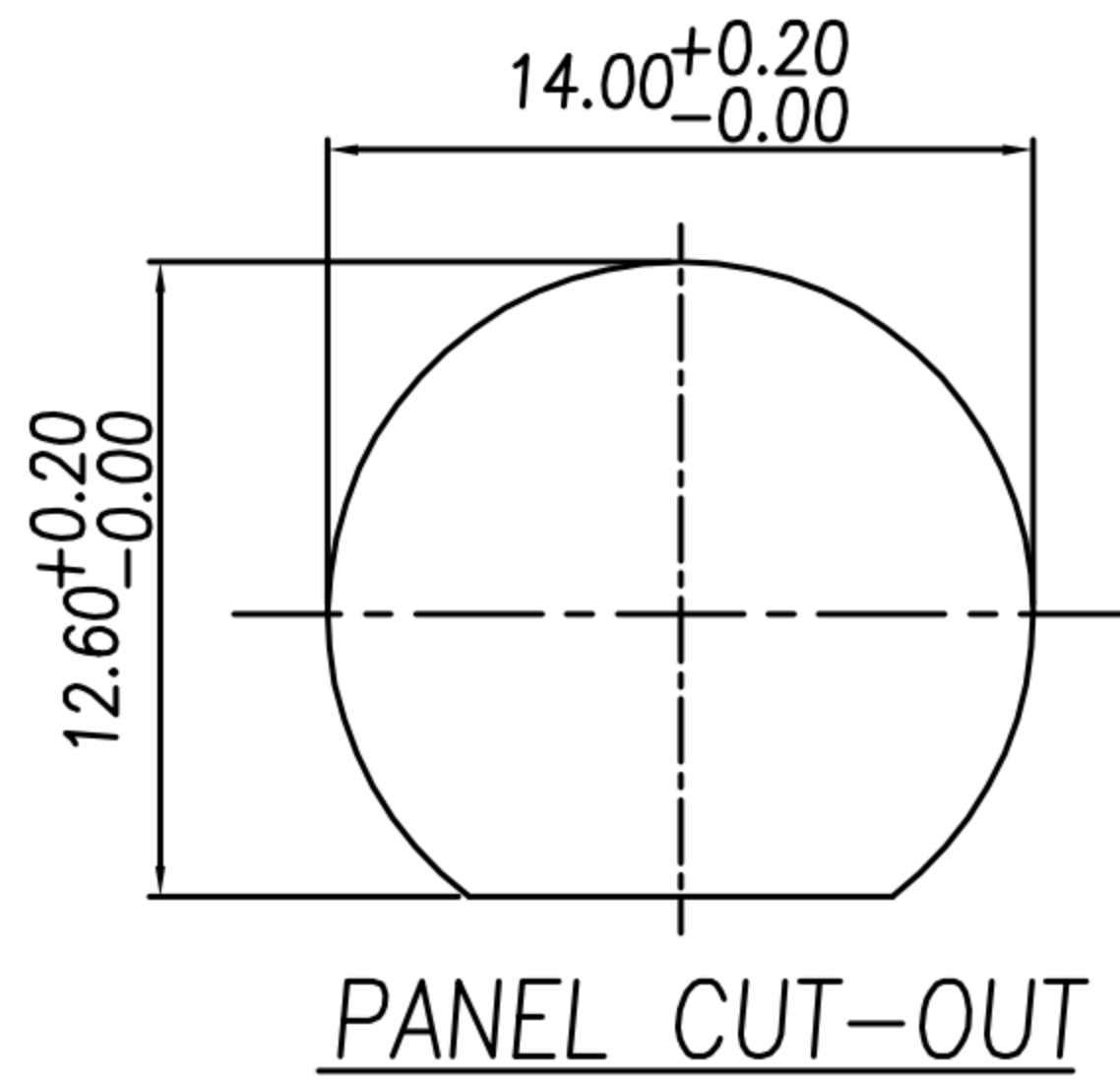


CUSTOMER DRAWING

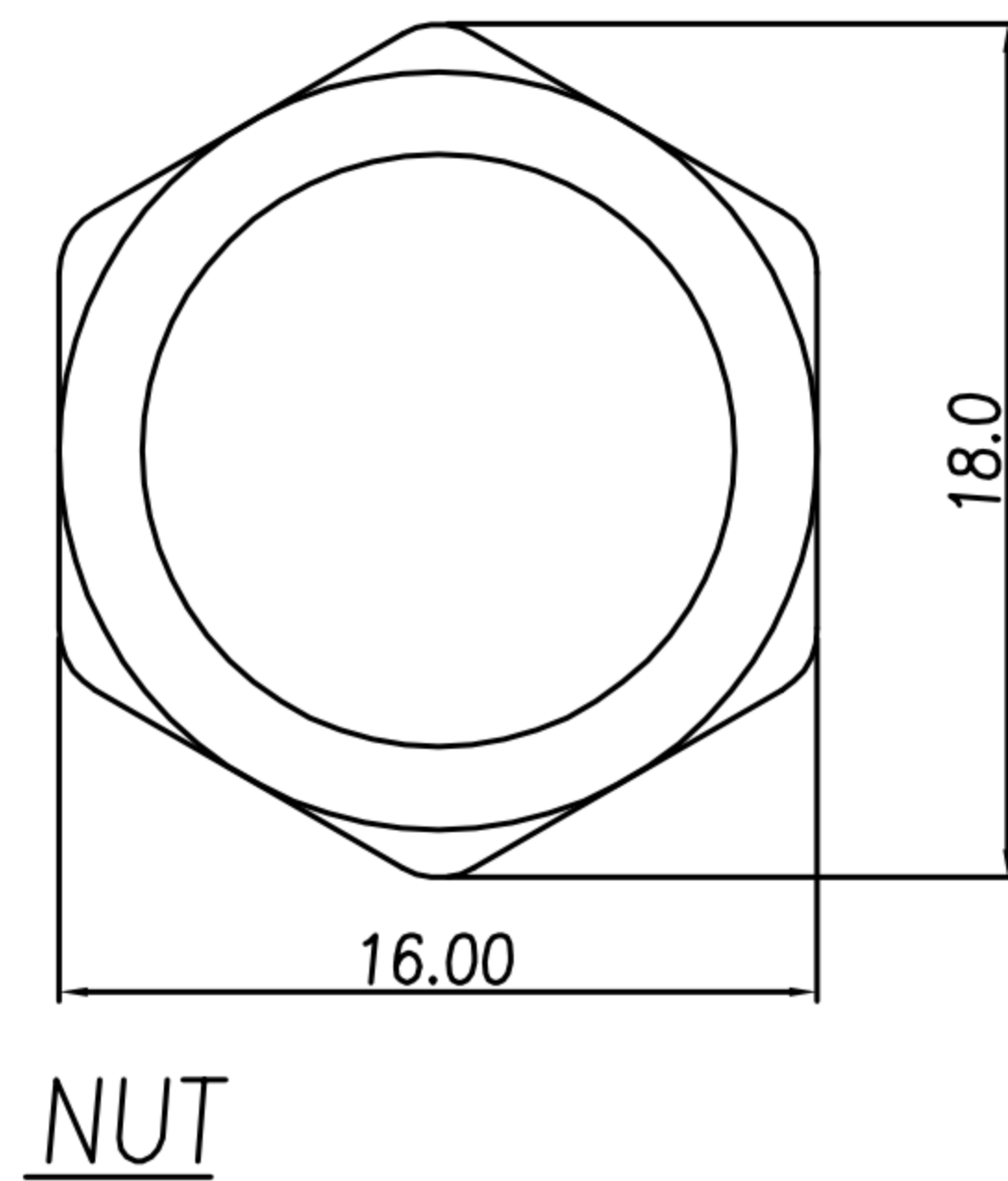
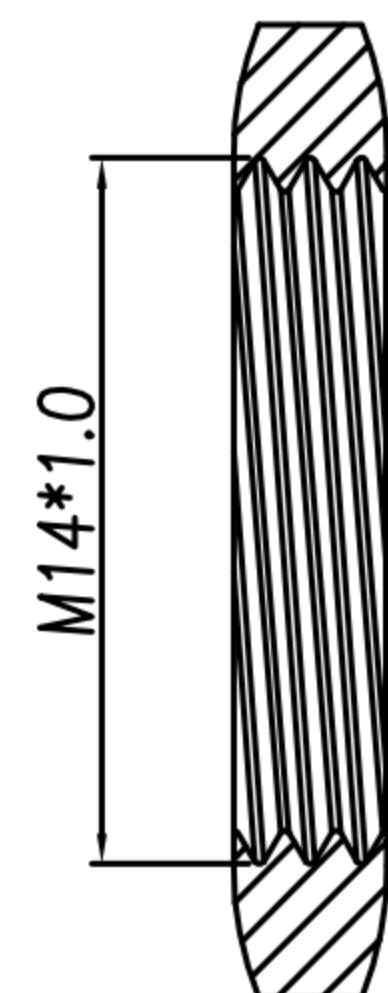
REV.	DESCRIPTION	APPROVED BY	DATE	ECN NO.
△A	RELEASE	Fido Weng	22/12/08*	
△B	改回正確電氣規格 & 新增料號	KU	29/03/19*	
△C				

TABLE A

MD-03F3-07-01	MD-04F2-15-11	MD-05F2-03-11
MD-06F2-10-11	MD-07F3-08-01	MD-08F2-03-11



1. MATERIAL :
 - 1-1. Housing : PBT UL94V-0 ; Color : Black
 - 1-2. Contact : Phosphor Bronze
 - 1-3. Shell : Brass
2. FINISH :
 - 2-1. Contact : Bright Tin Plated
 - 2-2. Shell : Nickel Plated
3. ELECTRICAL SPECIFICATION :
 - 3-1. Rated current : 2A
 - 3-2. Rated voltage : 12v DC
 - 3-3. Insulation Resistance : 50MΩ min. at 250V DC
 - 3-4. Dielectric Strength : 250V AC / 1 minute
 - 3-5. Contact Resistance : 30mΩ max.
 - 3-6. Insertion force : 45N max.
 - 3-7. Withdrawal force : 9N to 30N
 - 3-8. Durability Test : 1000 Cycles
4. Environmental :
 - 4-1. Operation Temperature : -20℃~85℃



DRAWN	Yeh Chou	APP'D	Ku Chou	UNIT	mm	TOLERANCE		广东科斯达电子科技有限公司 GUANG DONG KE SI DA ELECTRONIC TECHNOLOGY CO., LTD.	TITLE	MiniDin (F) SOCKET SCREW DIP TYPE			SHEET	
CHK'D	Emily Suen			SCALE	1:1	.x ±0.20 .xx ±0.10 .xxx ±0.05 .xxxx ±0.03 ANGULA ±1°			PART NO.	SEE TABLE A	DWG NO.	QC7056	VERSION	