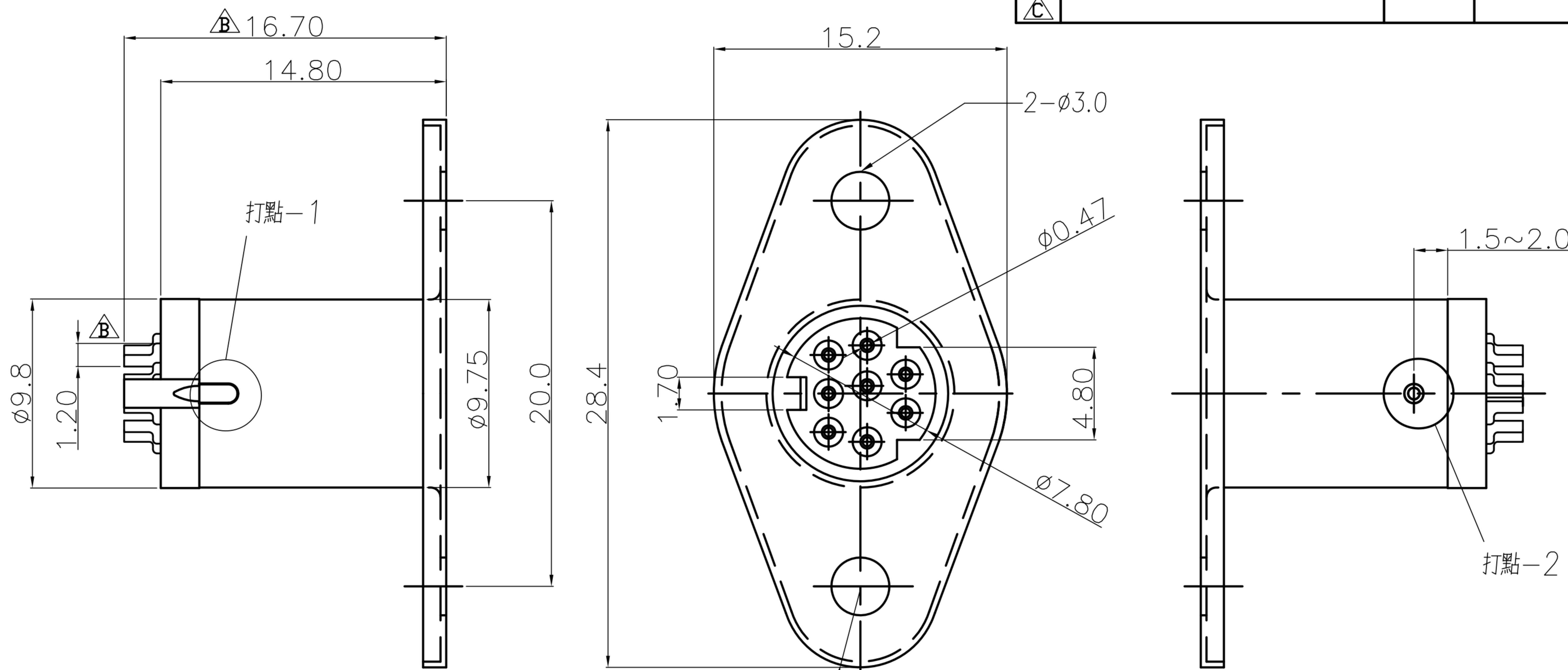


CUSTOMER DRAWING

REV.	DESCRIPTION	APPVL. BY	DATE	ECN NO.
A	Release	Emily Suen	14/04/11'	
B	修改外觀總長和變更PIN	Fido Weng	12/02/14'	
C				



1. MATERIAL :
  - 1-1. HOUSING : PBT UL94V-0 ; COLOR : BLACK
  - 1-2. CONTACT : PHOSPHOR BRONZE
  - 1-3. SHELL : BRASS
  - 1-4. SPRING : PHOSPHOR BRONZE
2. FINISH :
  - 2-1. CONTACT : SILVER PLATED  
UNDER PLATE : NICKEL
  - 2-2. SHELL : NICKEL PLATED
  - 2-3. SPRING : SILVER PLATED
3. ELECTRICAL SPECIFICATION :
  - 3-1. Rated current : 2A
  - 3-2. Rated voltage : 12V

DRAW	Sony	APPVL	Fido Weng	UNIT	mm	TOLERANCE		广东科斯达电子科技有限公司 GUANG DONG KE SI DA ELECTRONIC TECHNOLOGY CO., LTD.	TITLE	MiniDin 8(F)雙耳鎖板式			SHEET	1
CHECK	Emily Suen			SCALE	1:1	.x ±0.20 .xx ±0.10 .xxx ±0.05 .xxxx ±0.03 ANGULA ±1°			PART NO.	MD-08F1-05	DWG NO.	QC0418	VERSION	B