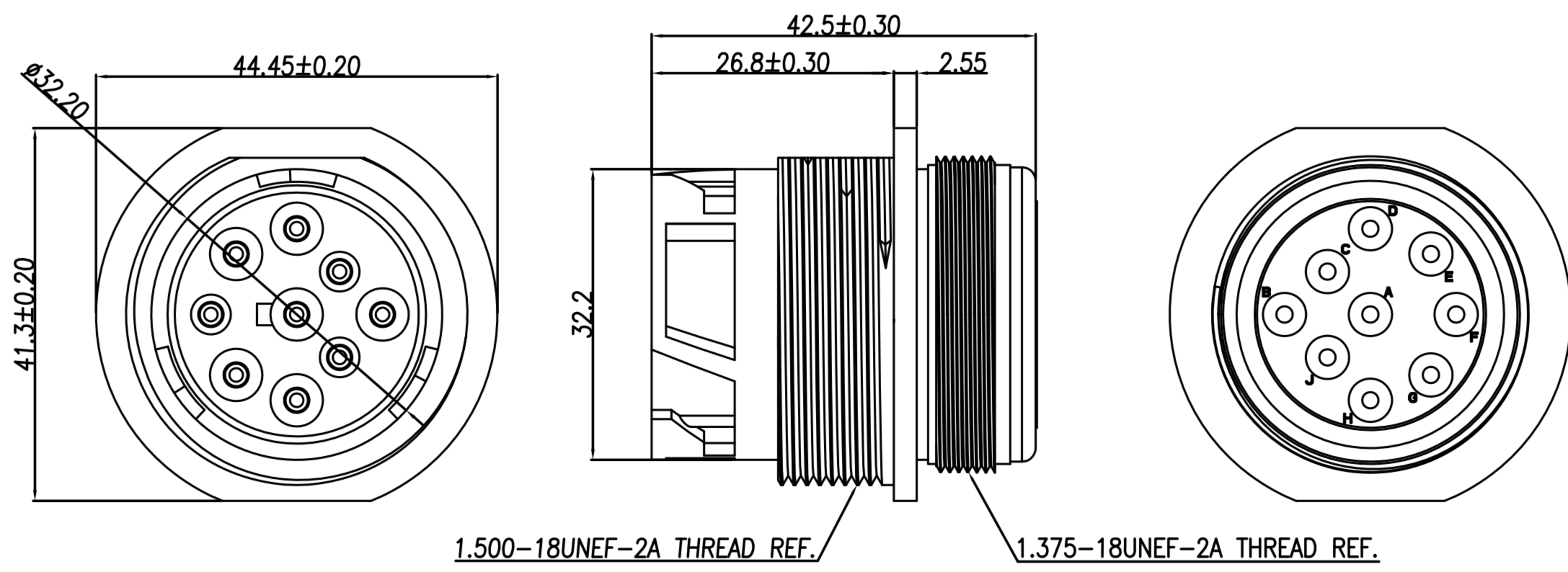
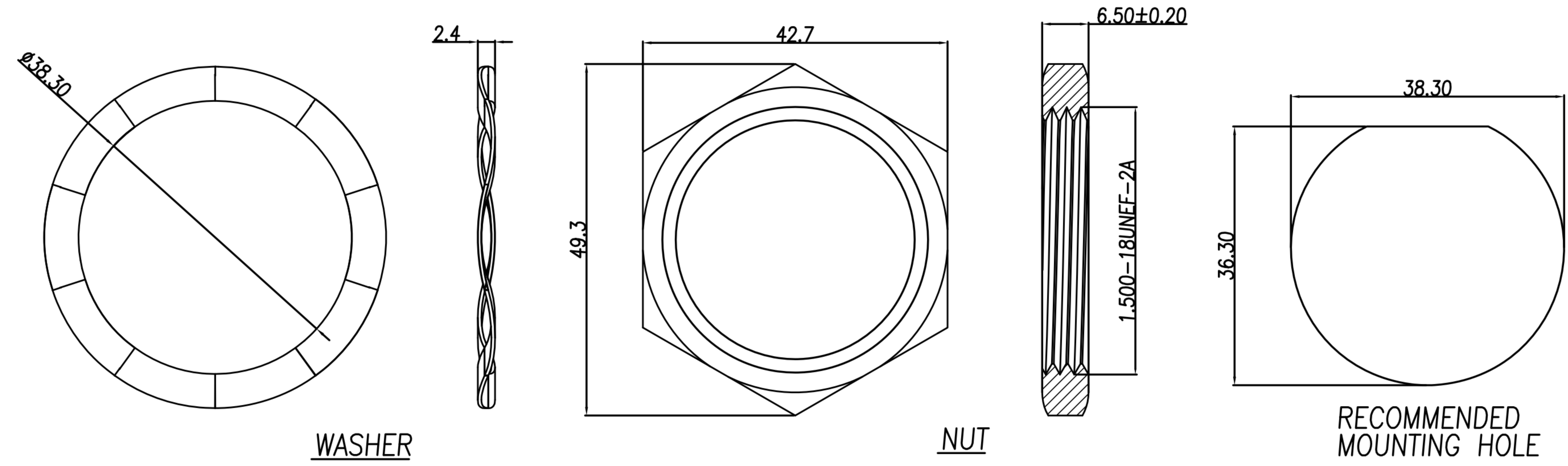


CUSTOMER DRAWING

REV.	DESCRIPTION	APPROVED BY	DATE	ECN NO.
△A	RELEASE	Yeh Chou	2016/xx/xx	
△B	變更膠芯顏色	Ku Chou	06/05/16*	ECN-16007
△C				
△D				



- MATERIAL :
 - 1-1. INSULATOR : PA66 ; COLOR : GREEN
 - △1-2. HOUSING : PA66 ; COLOR : BLACK
 - 1-3. REAR COVER : PA66 ; COLOR : GREEN
 - 1-4. NUT : PA66 ; COLOR : GREEN
 - 1-5. RUBBER : SILICONE ; COLOR : ORANGE
 - 1-6. WASHER : K7
- ELECTRICAL SPECIFICATION :
 - 2-1. Rated current : 13A
 - 2-2. Rated Voltage : 500V
 - 2-3. Water proof : IP67
- Environmental :
 - 3-1. Operation Temperature : $-40^{\circ} \sim 105^{\circ}$



DRAWN	Yeh Chou	APP'D	Ku Chou	UNIT	mm	TOLERANCE		TITLE	防水頭9PIN(F)前鎖 1.500-18UNEF-2A(綠色)		SHEET
CHK'D	Yeh Chou			SCALE	1:1	.x ± 0.20 .xx ± 0.10 .xxx ± 0.05 .xxxx ± 0.03 ANGULA $\pm 1^{\circ}$		PART NO.	WP-09F2-06-11	DWG NO.	QC7422

广东科斯达电子科技有限公司
 GUANG DONG KE SI DA ELECTRONIC TECHNOLOGY CO., LTD.