

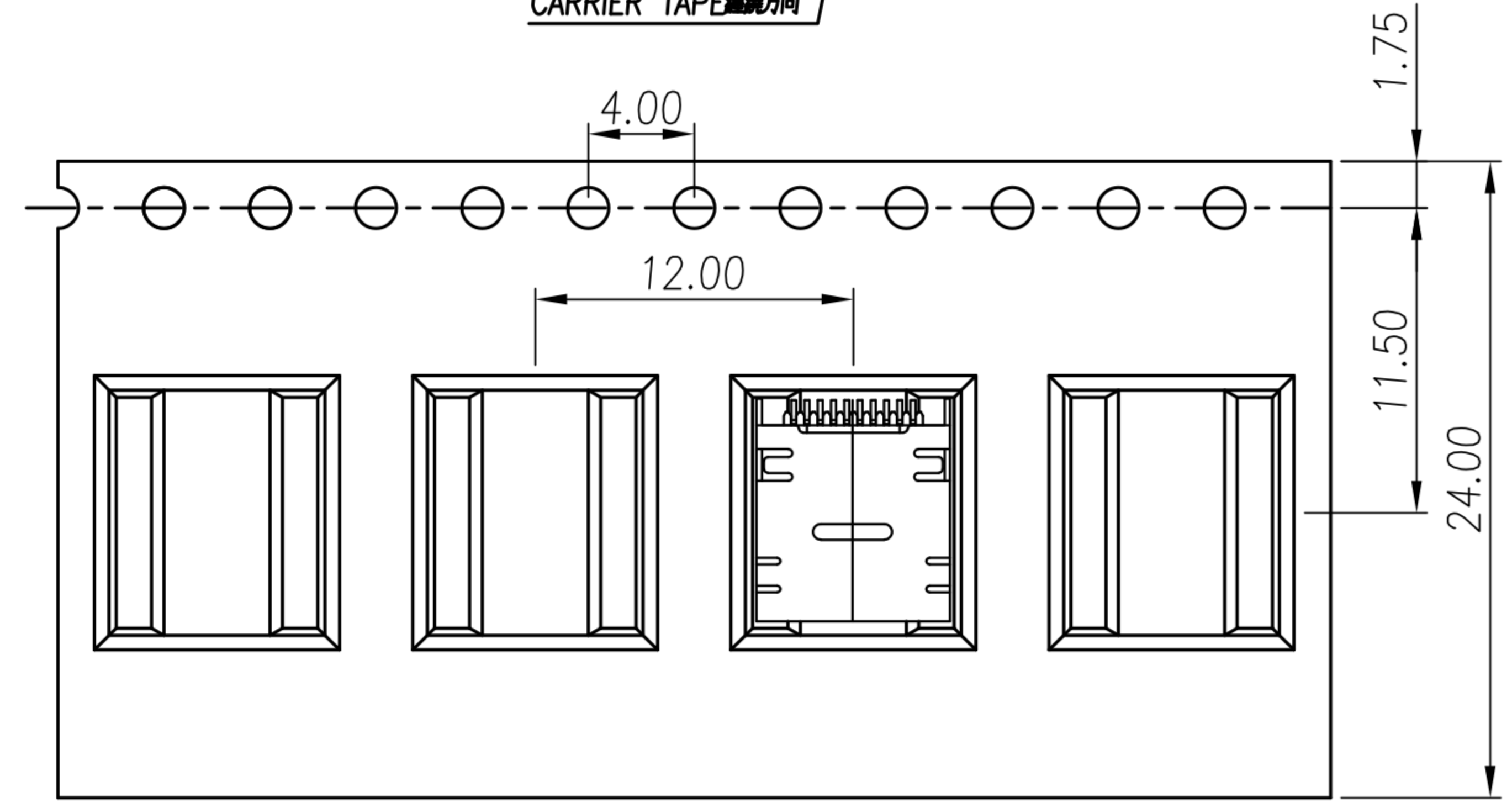
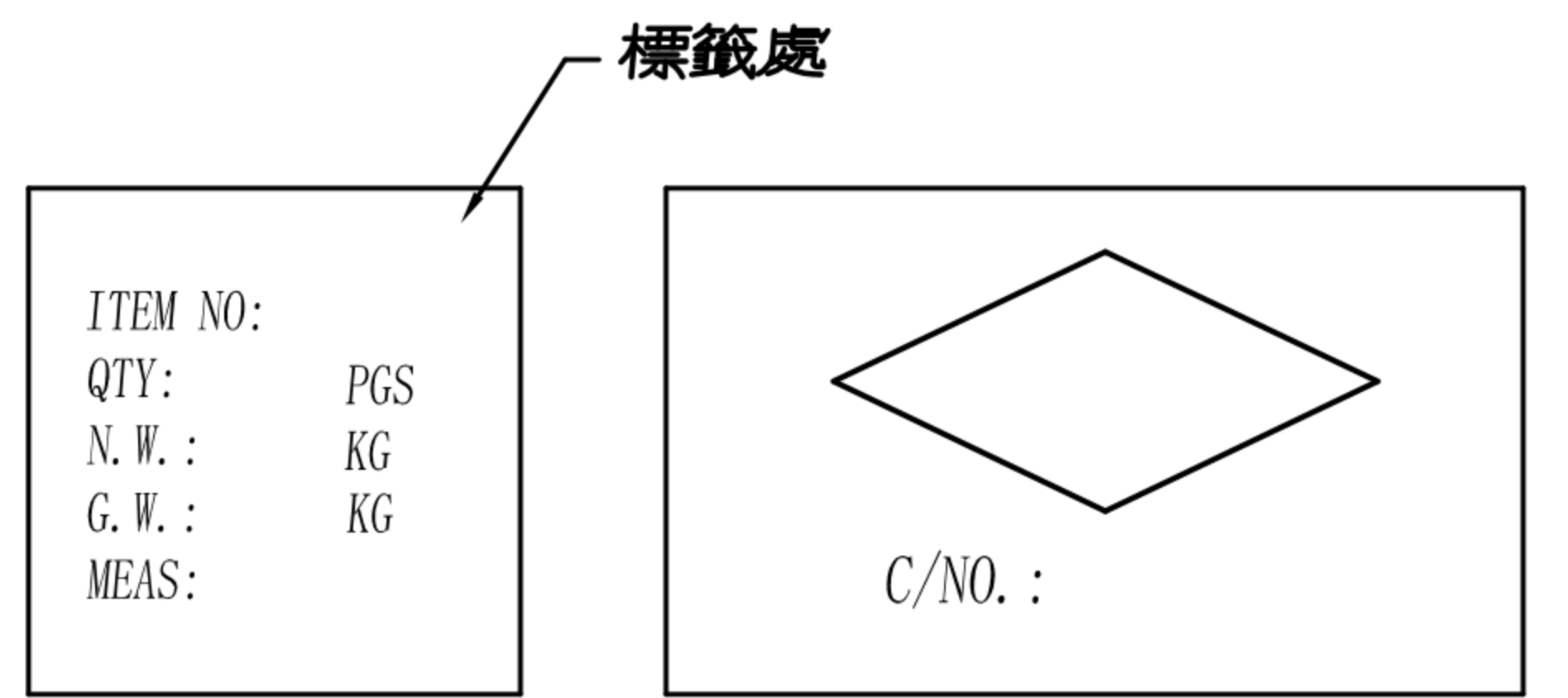
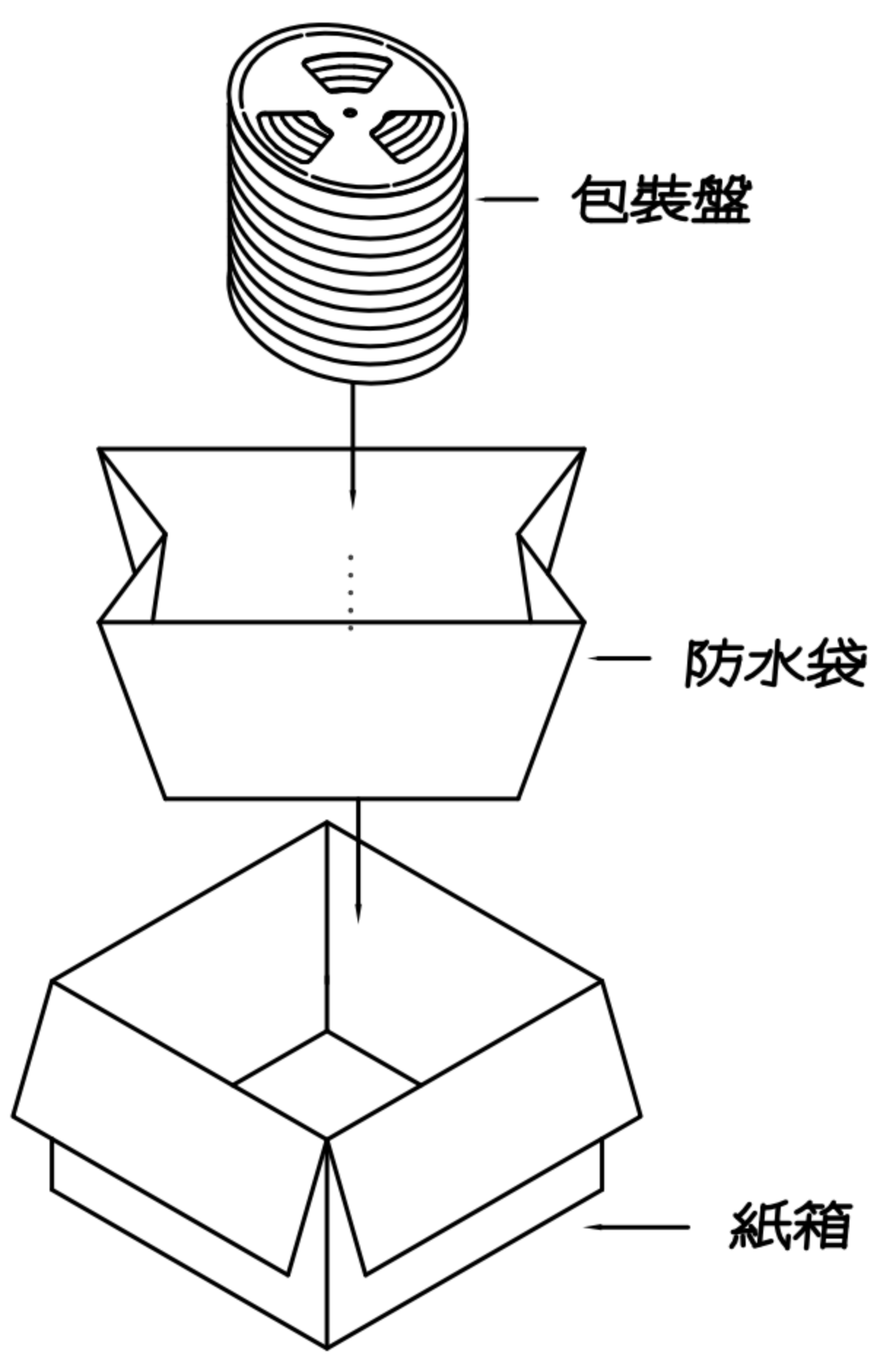
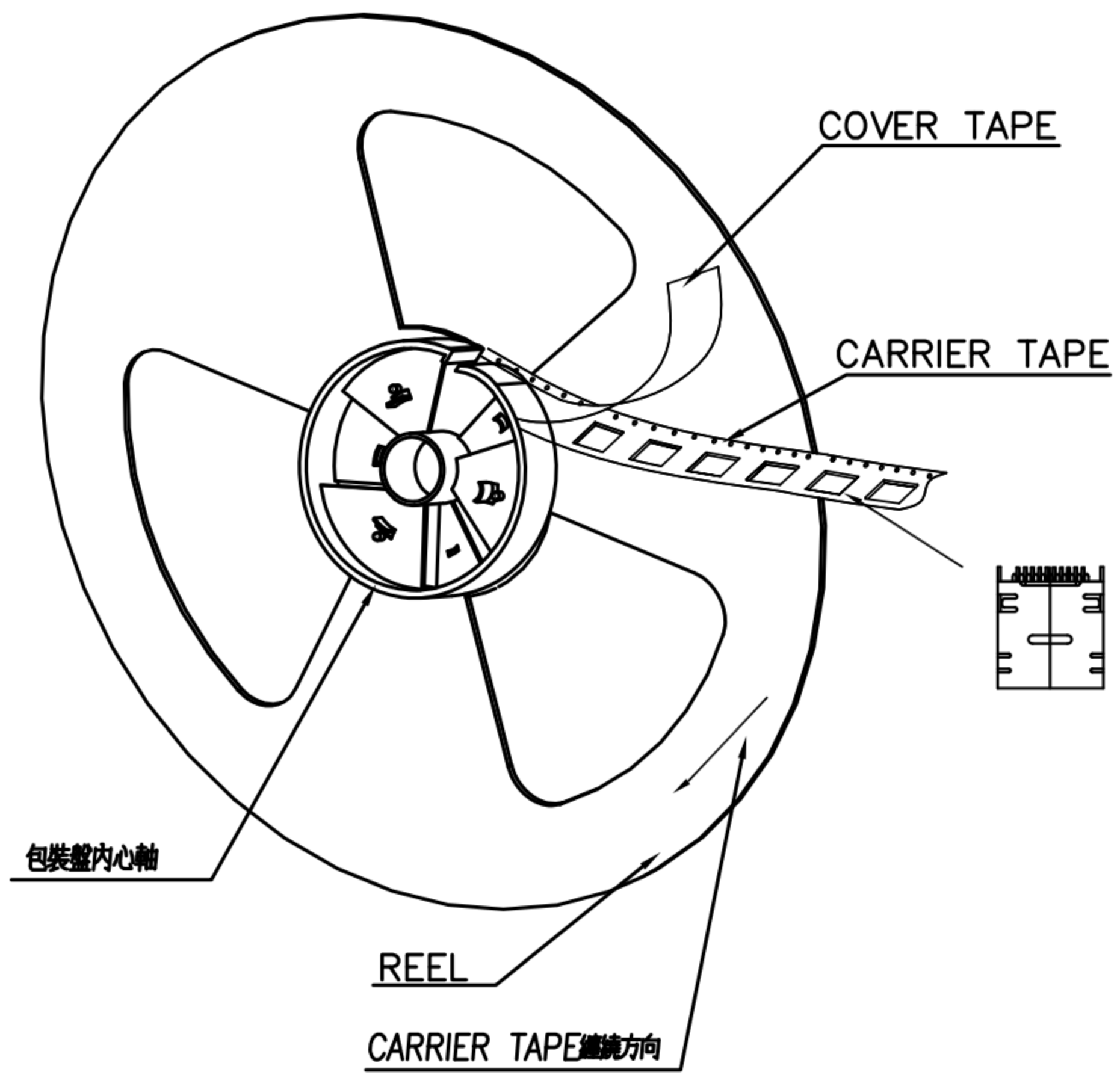
CUSTOMER DRAWING

REV.	DESCRIPTION	APPROVED BY	DATE	ECN NO.
△A	RELEASE	Fido Weng	15/10/09'	
△B				
△C				

- 步驟一:
- 1.將成品一一放入包裝盤內,依同一方向置入.
  - 2.包裝方式,如圖所示.
  - 3.一個包裝盤內放1000pcs.

- 步驟二:
- 1.一個紙箱可以裝10個包裝盤.
  - 2.每盤1000pcs,每箱10kpcs.
  - 3.將包裝盤放入防水袋中,包裝完後再封箱.

- 步驟三:
- 1.用膠帶將紙箱封實.
  - 2.將標籤貼於紙箱上.



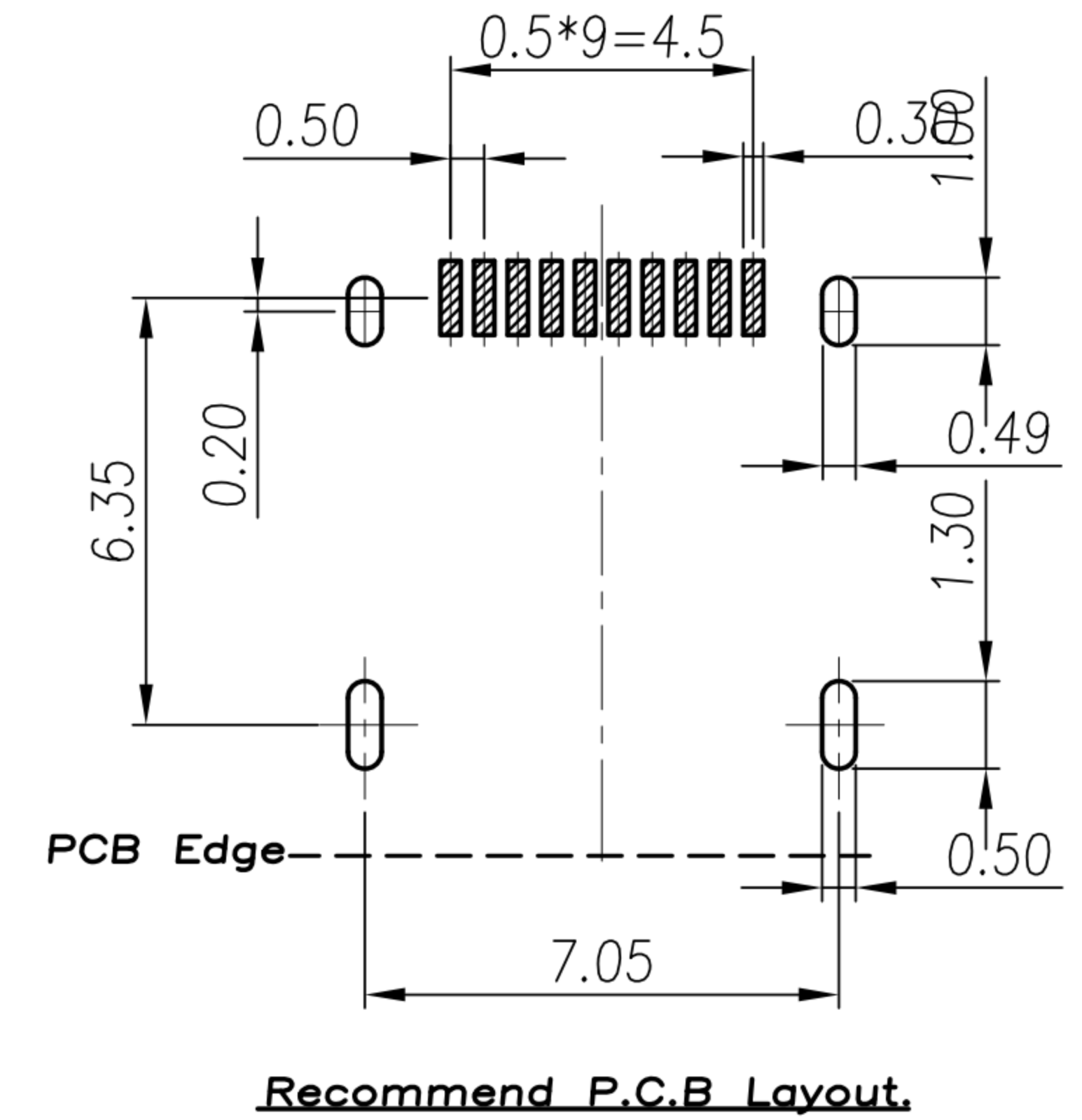
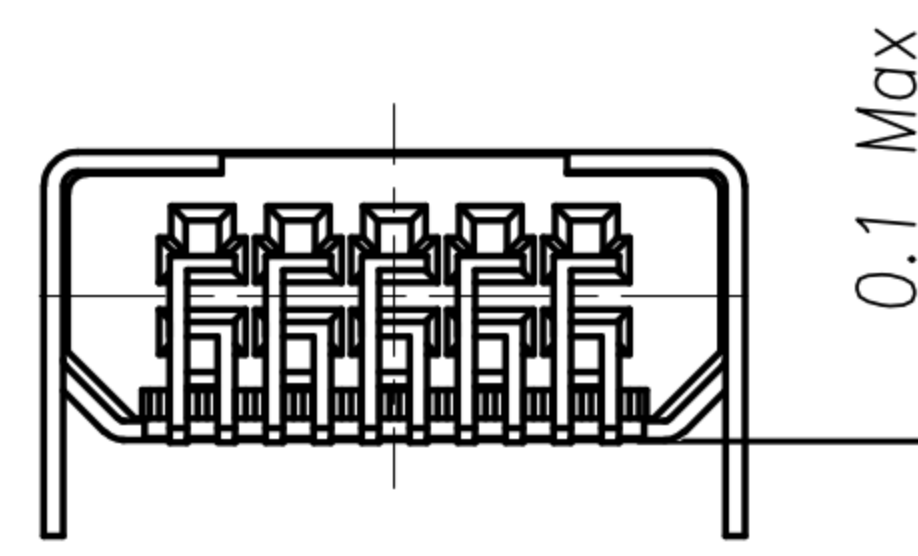
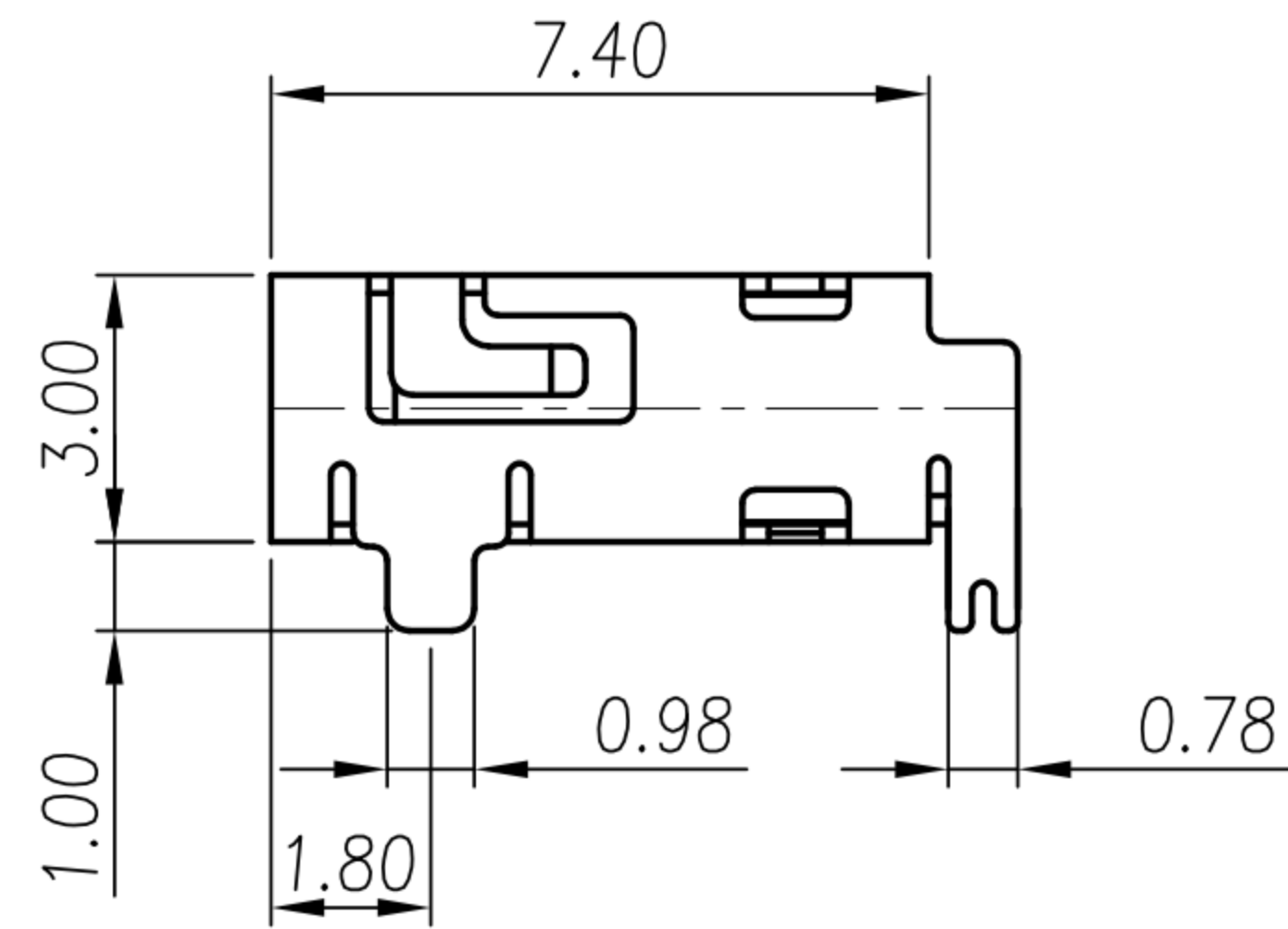
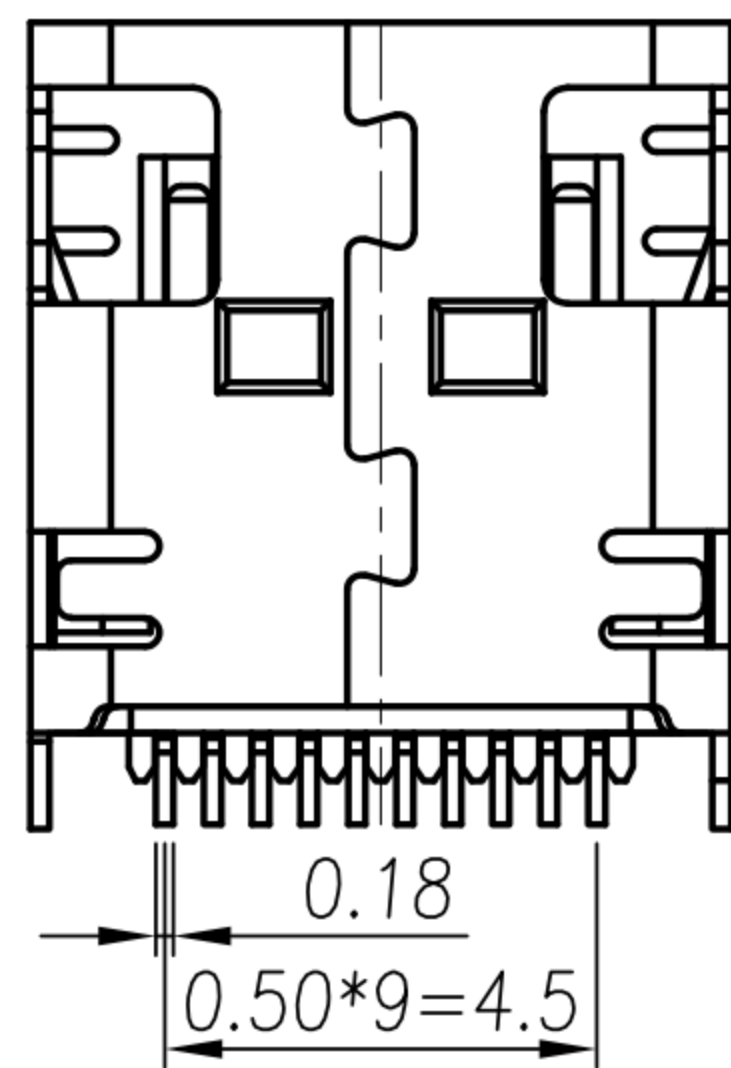
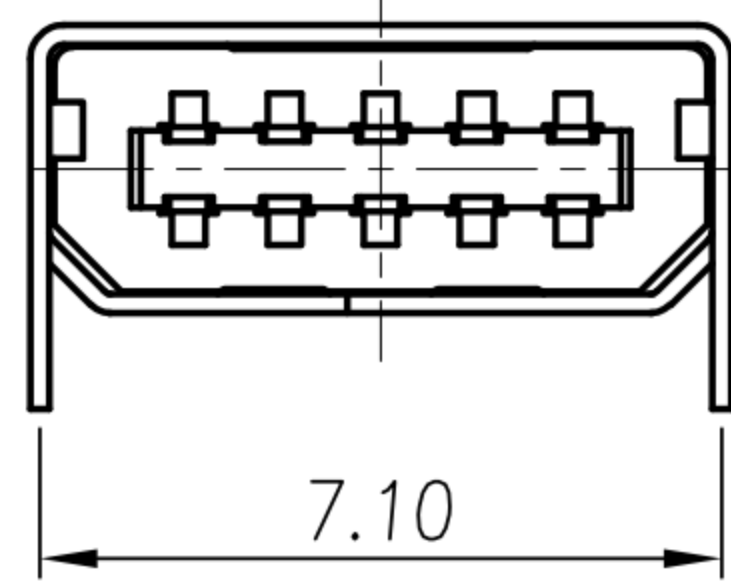
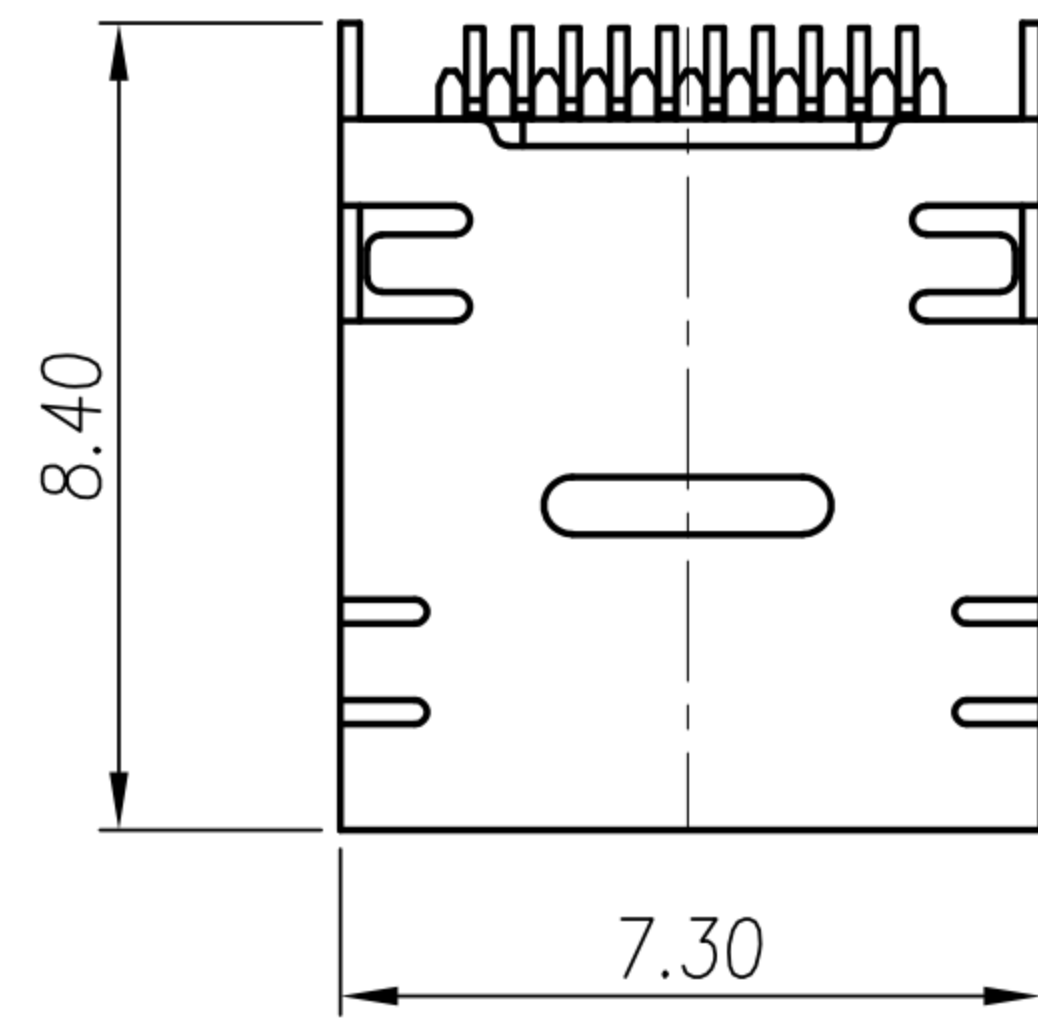
- NOTE:
- 1.若有未裝滿之零數箱,必須以緩衝材塞滿.
  - 2.在搬運過程中要輕拿輕放.
  - 3.載運輸中不可堆放過多,不可有重壓現象.
  - 4.在裝滿產品後,必須空留帶前和帶後15格以上,然後用紙膠布貼上.
  - 5.上帶在貼下帶時必須平整,且黏貼處不要出現氣泡.

DRAWN	Jen Xie	APP'D	Emily Suen	UNIT	mm	TOLERANCE		广东科斯达电子科技有限公司 GUANG DONG KE SI DA ELECTRONIC TECHNOLOGY CO., LTD.	TITLE	MINI USB 10PIN (F) DIP			SHEET	2/2
CHK'D	Emily Suen			SCALE	1:1	.x ±0.20 .xx ±0.10 .xxx ±0.05 .xxxx ±0.03 ANGULA ±1°			PART NO.	MU-10F4-03	DWG NO.	QC1890	VERSION	A



CUSTOMER DRAWING

REV.	DESCRIPTION	APPROVED BY	DATE	ECN NO.
A	RELEASE	Fido Weng	15/10/09'	
B				
C				



1. MATERIAL :
  - 1-1. HOUSING : LCP UL94V-0 ; COLOR : BLACK
  - 1-2. CONTACT : PHOSPHOR BRONZE
  - 1-3. SHELL : PHOSPHOR BRONZE
2. FINISH :
  - 2-1. CONTACT AREA : GOLD 30u"
  - SOLDER AREA : MATTE TIN
  - UNDER PLATE : NICKEL
  - 2-2. SHELL : MATTE TIN

DRAWN	Jen Xie	APP'D	Emily Suen	UNIT	mm	TOLERANCE		广东科斯达电子科技有限公司 GUANG DONG KE SI DA ELECTRONIC TECHNOLOGY CO., LTD.	TITLE	MINI USB 10PIN (F) DIP			SHEET	1/2
CHK'D	Emily Suen			SCALE	1:1	.x ±0.20 .xx ±0.10 .xxx ±0.05 .xxxx ±0.03 ANGULA ±1°			PART NO.	MU-10F4-03	DWG NO.	QC1890	VERSION	A